

Customer Information Sheet

DRAWING No.: ZK3609-00

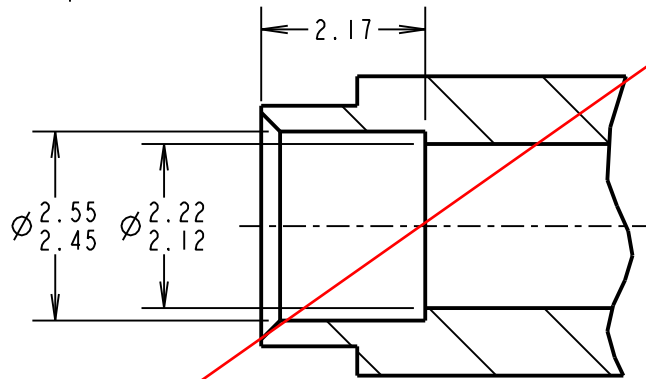
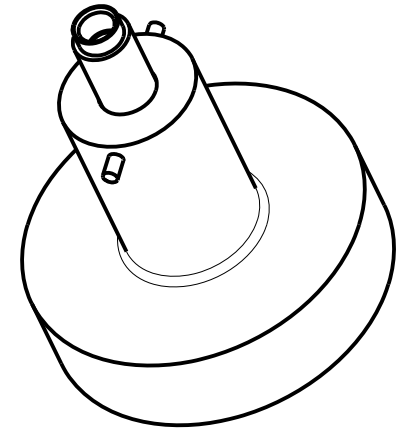
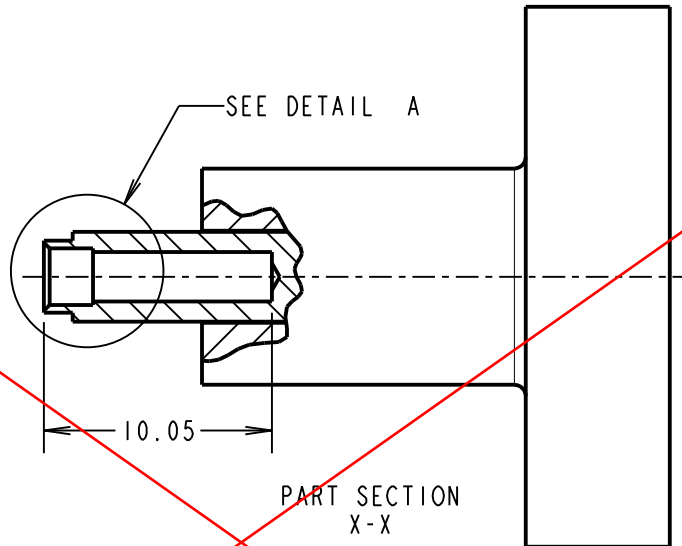
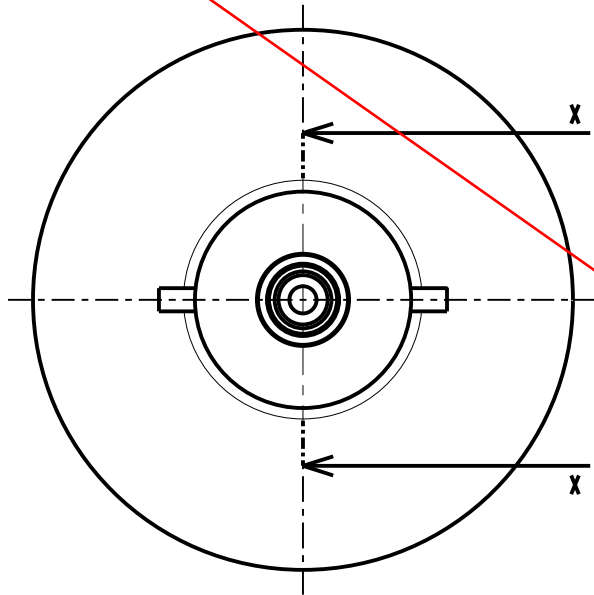
IF IN DOUBT - ASK

©

NOT TO SCALE

THIRD ANGLE PROJECTION

ALL DIMENSIONS IN mm



DETAIL VIEW A
SCALE 10

OBSOLETE

NOTES:

1. TO BE USED WITH HAND CRIMP TOOL M22520/2-01 AND INSTRUCTION SHEET IS-01.
2. SUITABLE FOR USE WITH K3606-46 & K3607-46 FEMALE POWER CRIMP CONTACTS.

SM	1	10.08.11	11405
NAME	ISS.	DATE	C/NOTE
APPROVED: S. MCCULLAGH			
CHECKED:		R. ADDE	
DRAWN: S. MCCULLAGH			
CUSTOMER REF.:			
ASSEMBLY DRG:			

HARWIN

HARWIN USA
TEL: 603 893 5376
FAX: 603 893 5396
mis@harwin.com

HARWIN Europe (UK)
TEL: 023 9231 4545
FAX: 023 9231 4590
mis@harwin.co.uk

HARWIN Asia
TEL: +65 6 779 4909
FAX: +65 6 779 3868
mis@harwin.com.sg

THIS DRAWING AND ANY INFORMATION OR DESCRIPTIVE MATTER SET OUT HEREON ARE CONFIDENTIAL AND COPYRIGHT PROPERTY OF THE HARWIN GROUP AND MUST NOT BE DISCLOSED, LOANED, COPIED OR USED FOR MANUFACTURING, TENDERING OR FOR ANY OTHER PURPOSE WITHOUT THEIR WRITTEN PERMISSION.

TOLERANCES

X. = ±1mm
X.X = ±0.25mm
X.XX = ±0.10mm
X.XXX = ±0.01mm
ANGLES = ±5°
UNLESS STATED

MATERIAL:

SEE TABLE

FINISH:

S/AREA:

mm²

TITLE:

DATAMATE CRIMP
CONTACT POSITIONER

DRAWING NUMBER:

ZK3609-00

SHT
2 OF 2