

Customer Information Sheet

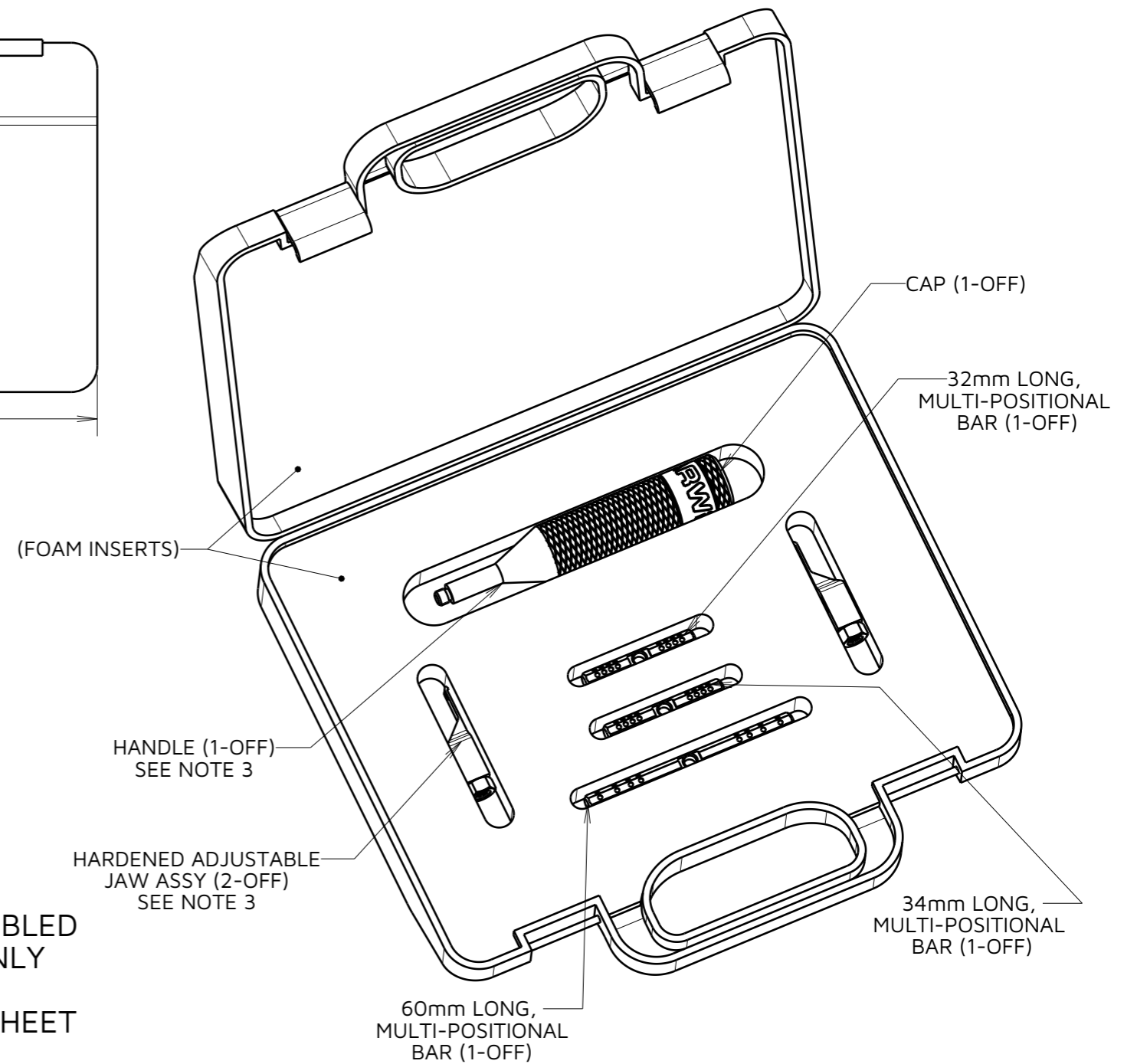
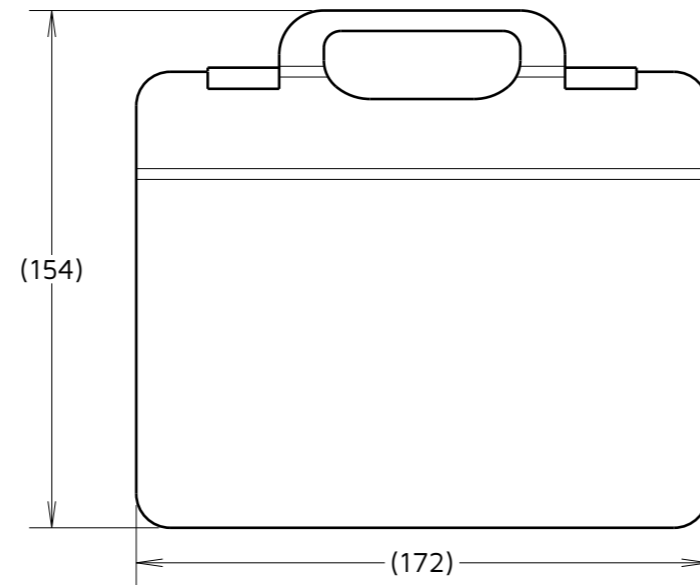
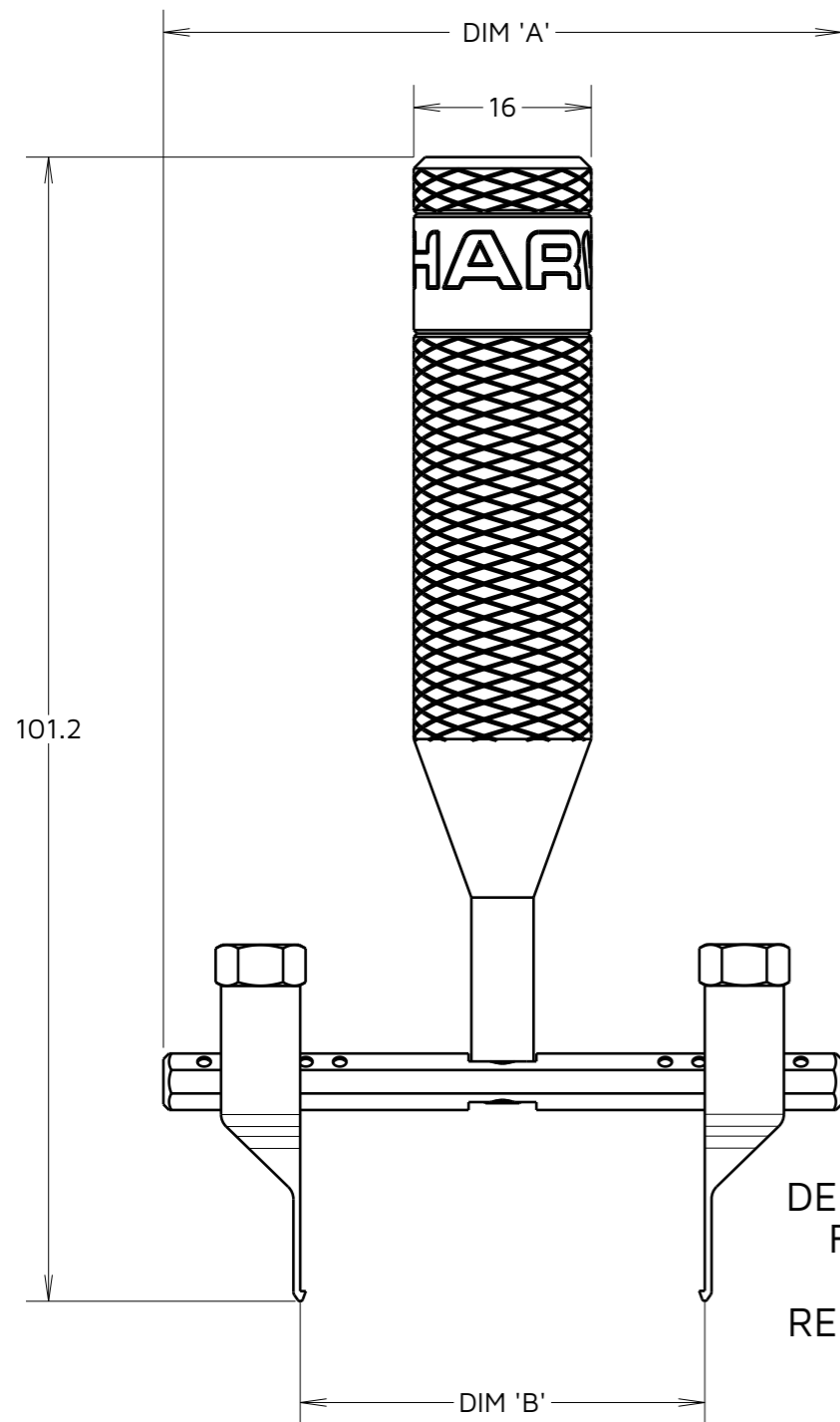
IF IN DOUBT - ASK

©

NOT TO SCALE

THIRD ANGLE PROJECTION

ALL DIMENSIONS IN mm



SUPPLIED AS A KIT IN A CASE,
DE-LATCHING TOOL SHOWN ASSEMBLED
FOR ILLUSTRATION PURPOSES ONLY

REFER TO TOOLING INSTRUCTION SHEET
IS-30 PRIOR TO USE.

DIM 'A'	DIM 'B'
60.0	21.80, 27.80, 35.80, 45.80
34.0	7.80, 11.80, 15.80, 19.80
32.0	5.80, 9.80, 13.80, 17.80

NOTES:

1. INSTRUCTION SHEETS ARE AVAILABLE FOR THIS TOOL. REFER TO TOOLING INSTRUCTION SHEET IS-30 FOR MORE INFORMATION.
2. ANY PARTS REQUIRED TO BE SCREWED TOGETHER, MUST ONLY BE HAND TIGHTENED.
3. HANDLE WITH CARE. WHEN NOT IN USE STORE ADJUSTABLE JAWS IN HANDLE OR CASE.
4. FOR REPLACEMENT PARTS REFER TO TOOLING INSTRUCTION SHEET IS-30 FOR FURTHER DETAILS AND PART NUMBERS.

FC	8	30.04.24	34000
NAME	ISS.	DATE	CN/CO
APPROVED: F.CHRISPINE			
CHECKED: A.BOXALL			
DRAWN: S.FLOWER			
ASSEMBLY DRG:			

HARWIN

www.harwin.com

TOLERANCES
 X. = ±1mm
 X.X = ±0.50mm
 X.XX = ±0.20mm
 X.XXX = ±0.01mm
 ANGLES = ±5°
 UNLESS STATED

THIS DRAWING AND ANY INFORMATION OR DESCRIPTIVE MATTER SET OUT HEREON ARE CONFIDENTIAL AND COPYRIGHT PROPERTY OF THE HARWIN GROUP AND MUST NOT BE DISCLOSED, LOANED, COPIED OR USED FOR MANUFACTURING, TENDERING OR FOR ANY OTHER PURPOSE WITHOUT THEIR WRITTEN PERMISSION.

MATERIAL:
 SEE ABOVE

TITLE: DATAMATE L-TEK
 DE-LATCHING TOOL
 WITH STORAGE CASE

DRAWING NUMBER:
 Z80-299

SHT
 2 OF 2