

Customer Information Sheet

DRAWING No.: Z2101A00 TO Z2103A00

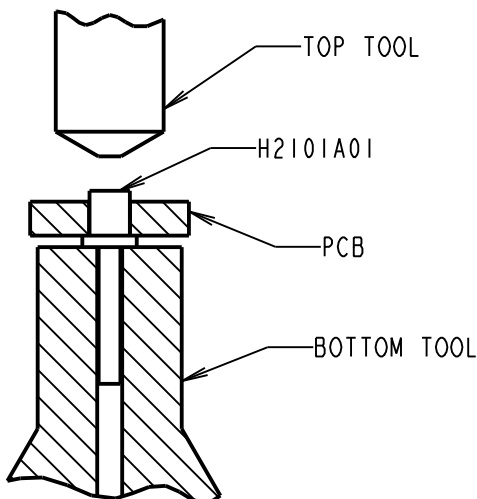
IF IN DOUBT - ASK

©

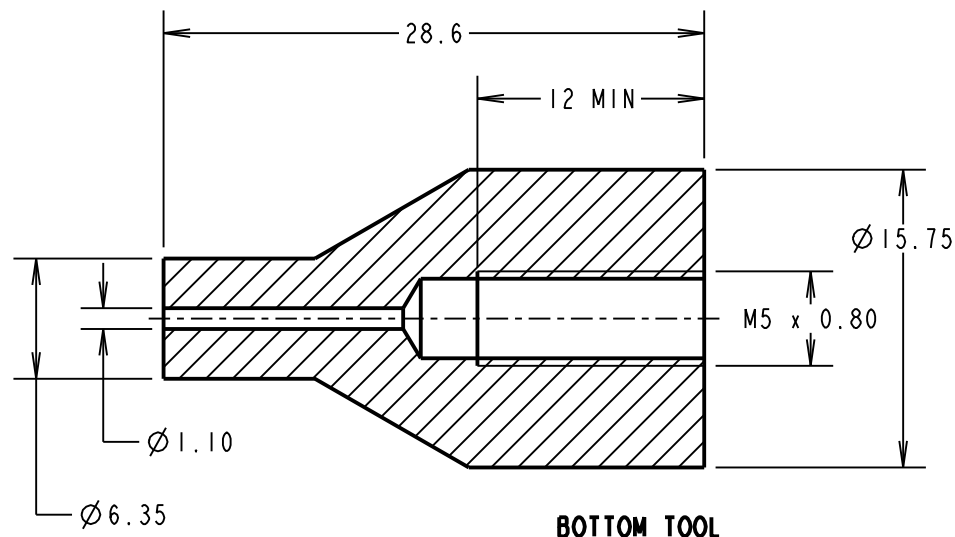
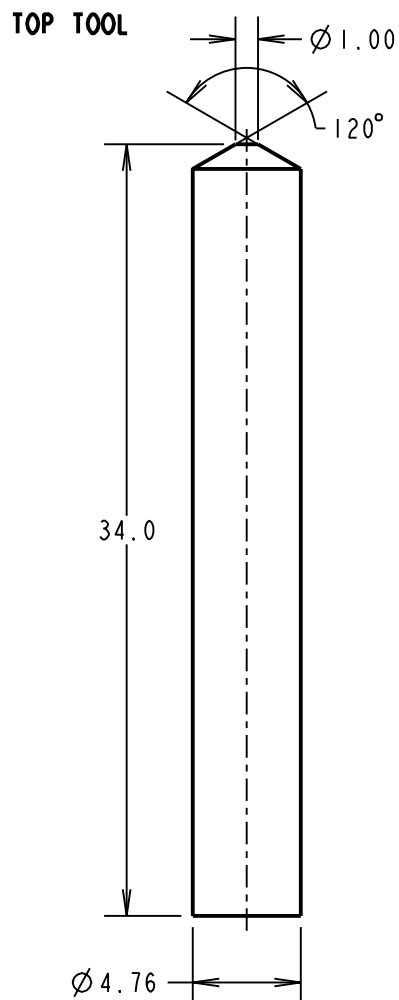
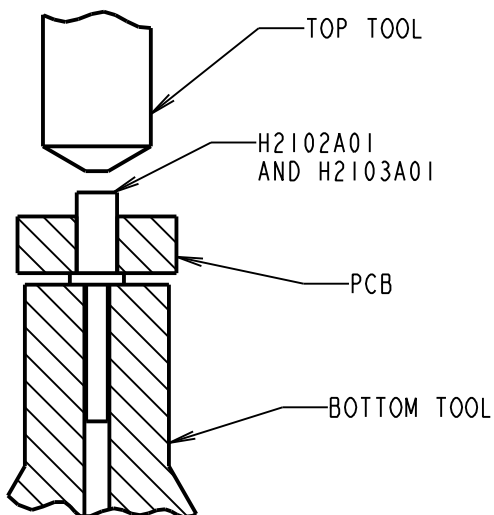
NOT TO SCALE

THIRD ANGLE PROJECTION

ALL DIMENSIONS IN mm



OPERATION DIAGRAMS



NOTES:

- MUST BE USED WITH A BENCH PRESS OR OTHER FIXED TOOLING, TO ENSURE EVEN PRESSURE IS APPLIED TO THE HEAD OF THE TERMINAL.
- TOP AND BOTTOM TOOLS ARE PACKED IN A BAG AS A KIT.

SB	3	07.09.11	11451
NAME	ISS.	DATE	C/NOTE
APPROVED:		S.BENNETT	
CHECKED:		M.G.PLESTED	
DRAWN:		MARK G PLESTED	
CUSTOMER REF.:			
ASSEMBLY DRG:			

HARWIN

HARWIN USA
TEL: 603 893 5376
FAX: 603 893 5396
mis@harwin.com

HARWIN Europe (UK)
TEL: 023 9231 4545
FAX: 023 9231 4590
mis@harwin.co.uk

HARWIN Asia
TEL: +65 6 779 4909
FAX: +65 6 779 3868
mis@harwin.com.sg

THIS DRAWING AND ANY INFORMATION OR DESCRIPTIVE MATTER SET OUT HEREON ARE CONFIDENTIAL AND COPYRIGHT PROPERTY OF THE HARWIN GROUP AND MUST NOT BE DISCLOSED, LOANED, COPIED OR USED FOR MANUFACTURING, TENDERING OR FOR ANY OTHER PURPOSE WITHOUT THEIR WRITTEN PERMISSION.

TOLERANCES

X. = ±1mm
X.X = ±0.25mm
X.XX = ±0.10mm
X.XXX = ±0.01mm

ANGLES = ±5°
UNLESS STATED

MATERIAL:

SILVER STEEL

FINISH: CLEAN

S/AREA:

mm²

TITLE:

TOP AND BOTTOM TOOL SET

DRAWING NUMBER:

Z2101A00 TO Z2103A00

SHT
2 OF 2