

# Customer Information Sheet

DRAWING No.: Z125-905

IF IN DOUBT - ASK

©

NOT TO SCALE

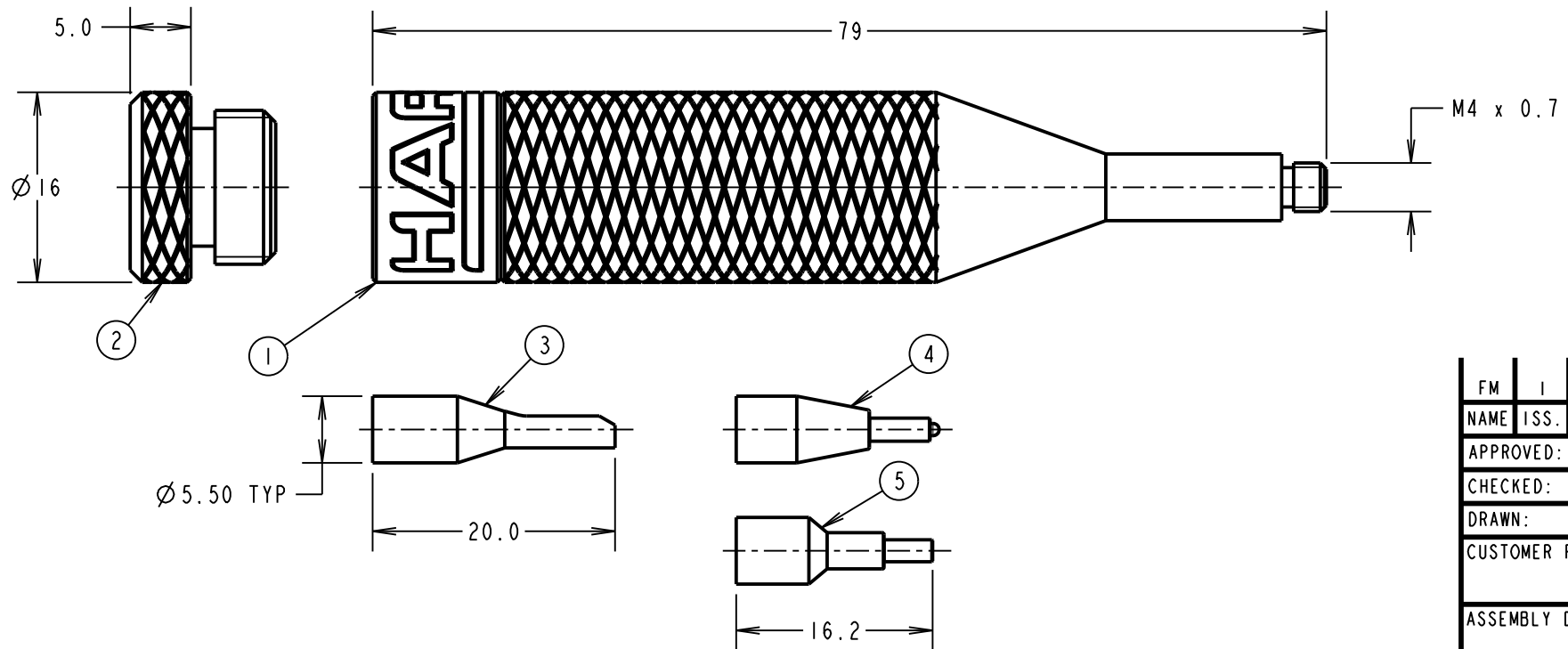
THIRD ANGLE PROJECTION

ALL DIMENSIONS IN mm

No.	DESCRIPTION
1	HANDLE BODY
2	CAP FOR HANDLE
3	INSERTION TIP $\varnothing 1.85$ MAX. INSULATION
4	REMOVAL TIP FEMALE CONTACT
5	REMOVAL TIP MALE CONTACT

NOTES:

1. SEE INSTRUCTION SHEET IS-47 FOR INSERTION AND REMOVAL PROCEDURE.



FM	1	11.09.18	21490
NAME	ISS.	DATE	C/NOTE
APPROVED: F.MCGOWAN			
CHECKED: S.FLOWER			
DRAWN: F.MCGOWAN			
CUSTOMER REF.:			
ASSEMBLY DRG:			

## HARWIN

www.harwin.com  
technical@harwin.com

THIS DRAWING AND ANY INFORMATION OR DESCRIPTIVE MATTER SET OUT HEREON ARE CONFIDENTIAL AND COPYRIGHT PROPERTY OF THE HARWIN GROUP AND MUST NOT BE DISCLOSED, LOANED, COPIED OR USED FOR MANUFACTURING, TENDERING OR FOR ANY OTHER PURPOSE WITHOUT THEIR WRITTEN PERMISSION.

TOLERANCES

X. =  $\pm 1$ mm  
X.X =  $\pm 0.50$ mm  
X.XX =  $\pm 0.10$ mm  
X.XXX =  $\pm 0.01$ mm

ANGLES =  $\pm 5^\circ$

UNLESS STATED

MATERIAL:

SEE TABLE

FINISH:

S/AREA:

mm<sup>2</sup>

TITLE:

GECKO MT CRIMP CONTACT  
INSERTION / REMOVAL TOOL KIT

DRAWING NUMBER:

Z125-905

SHT  
2 OF 2