

# Customer Information Sheet

DRAWING No.: S4701-XX SHEET 2 OF 2

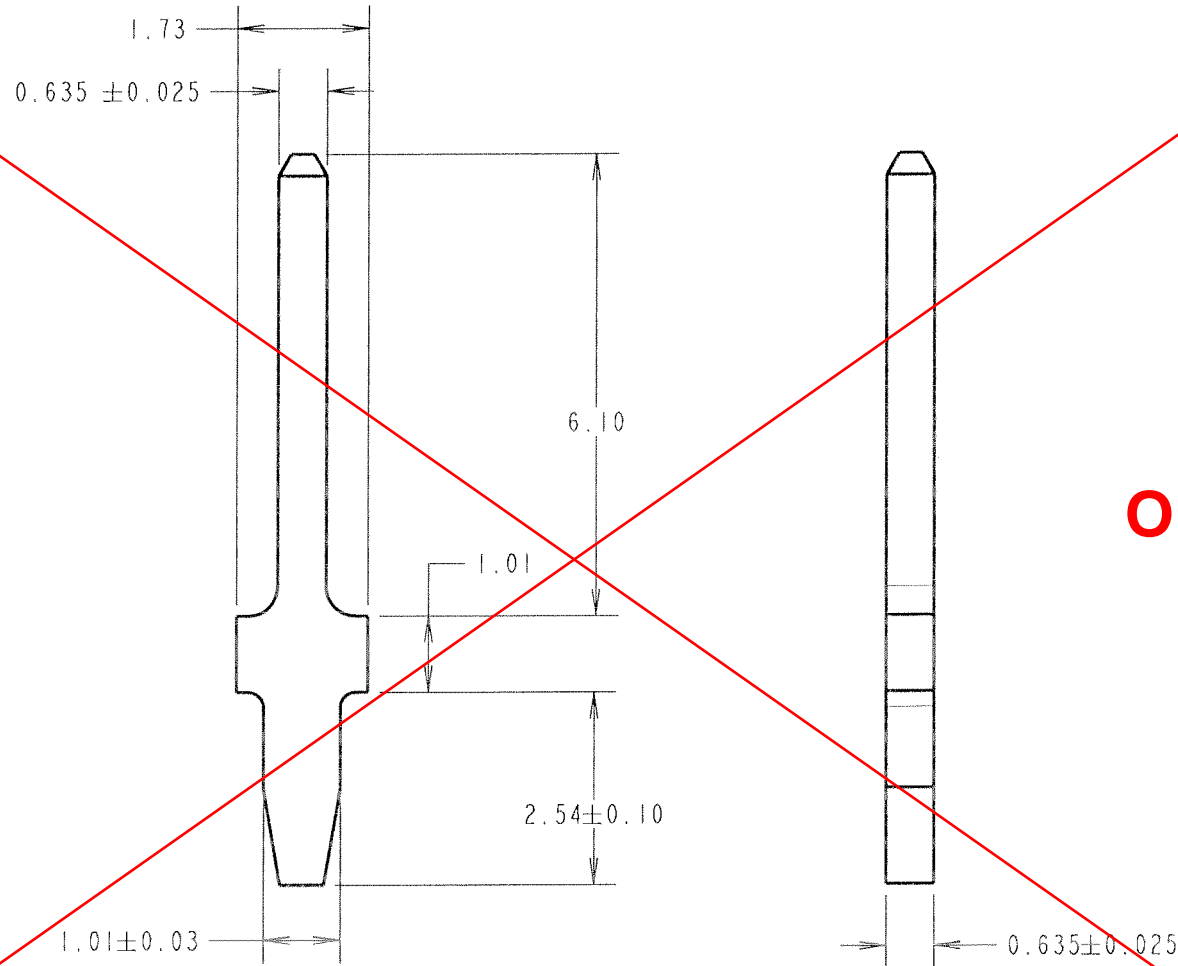
IF IN DOUBT - ASK

©

NOT TO SCALE

THIRD ANGLE PROJECTION

ALL DIMENSIONS IN mm



ORDER CODE:  
**S4701-XX**  
 FINISH: \_\_\_\_\_  
 06 = TIN/LEAD  
 46 = 100% TIN

**OBSOLETE**

NOTES:

1. PRODUCT IS PACKED IN QUANTITIES OF 1K.
2. RECOMMENDED MOUNTING HOLE SIZE =  $\varnothing 1.015 \pm 0.075\text{mm}$ .
3. ALL TOLERANCES ARE  $\pm 0.05$  UNLESS OTHERWISE STATED.

RA	4	22.06.07	9801
NAME	ISS.	DATE	C/NOTE
APPROVED: <i>[Signature]</i>			
CHECKED: <i>[Signature]</i>			
DRAWN: A. FILLINGHAM			
CUSTOMER REF.:			
ASSEMBLY DRG:			

**HARWIN**

THIS DRAWING AND ANY INFORMATION OR DESCRIPTIVE MATTER SET OUT HEREON ARE CONFIDENTIAL AND COPYRIGHT PROPERTY OF THE HARWIN GROUP AND MUST NOT BE DISCLOSED, LOANED, COPIED OR USED FOR MANUFACTURING, TENDERING OR FOR ANY OTHER PURPOSE WITHOUT THEIR WRITTEN PERMISSION.

TOLERANCES  
 X =  $\pm 1\text{mm}$   
 X.X =  $\pm 0.25\text{mm}$   
 X.XX =  $\pm 0.10\text{mm}$   
 X.XXX =  $\pm 0.01\text{mm}$   
 ANGLES =  $\pm 5^\circ$   
 UNLESS STATED

MATERIAL:  
 BRASS CW508L TO BS EN 1652 (CuZn37)  
 FINISH: SEE ABOVE  
 S/AREA: mm<sup>2</sup>

TITLE:  
 0.635mm SQUARE VERTICAL TERMINAL (LOOSE)  
 DRAWING NUMBER:  
**S4701-XX**  
 SHT 2 OF 2

HARWIN USA TEL: 603 893 5376 FAX: 603 893 5396 mis@harwin.com	HARWIN Europe (UK) TEL: 023 9231 4545 FAX: 023 9231 4590 mis@harwin.co.uk	HARWIN Asia TEL: +65 6 779 4909 FAX: +65 6 779 3868 mis@harwin.com.sg
--	--	--