

Customer Information Sheet

DRAWING No.: S2711-46R

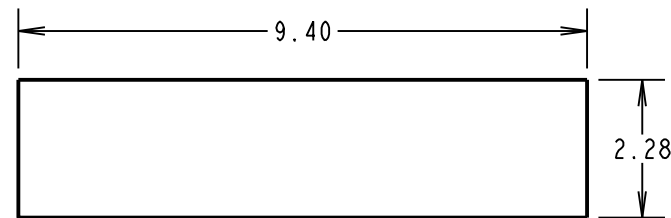
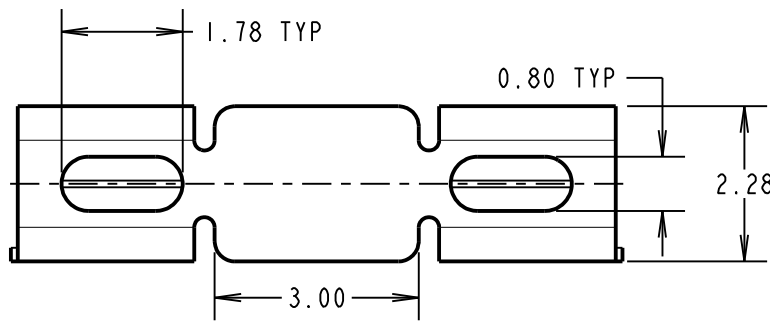
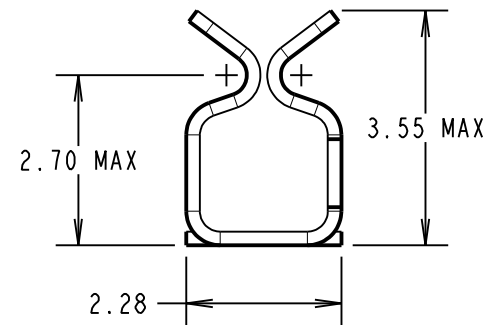
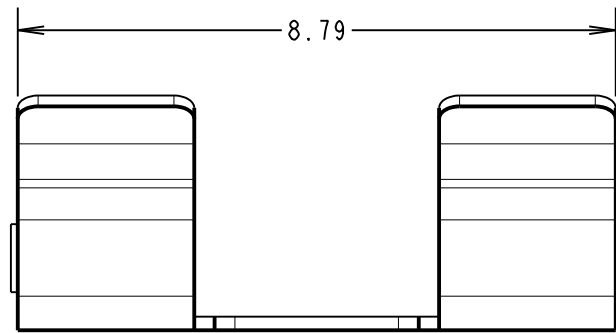
IF IN DOUBT - ASK

©

NOT TO SCALE

THIRD ANGLE PROJECTION

ALL DIMENSIONS IN mm



RECOMMENDED PAD LAYOUT

COMPONENT SPECIFICATION:

MATERIAL = CUPRO NICKEL
 FINISH = 2.4-3.6µm 100% TIN,
 OVER 2.0-2.8µm NICKEL

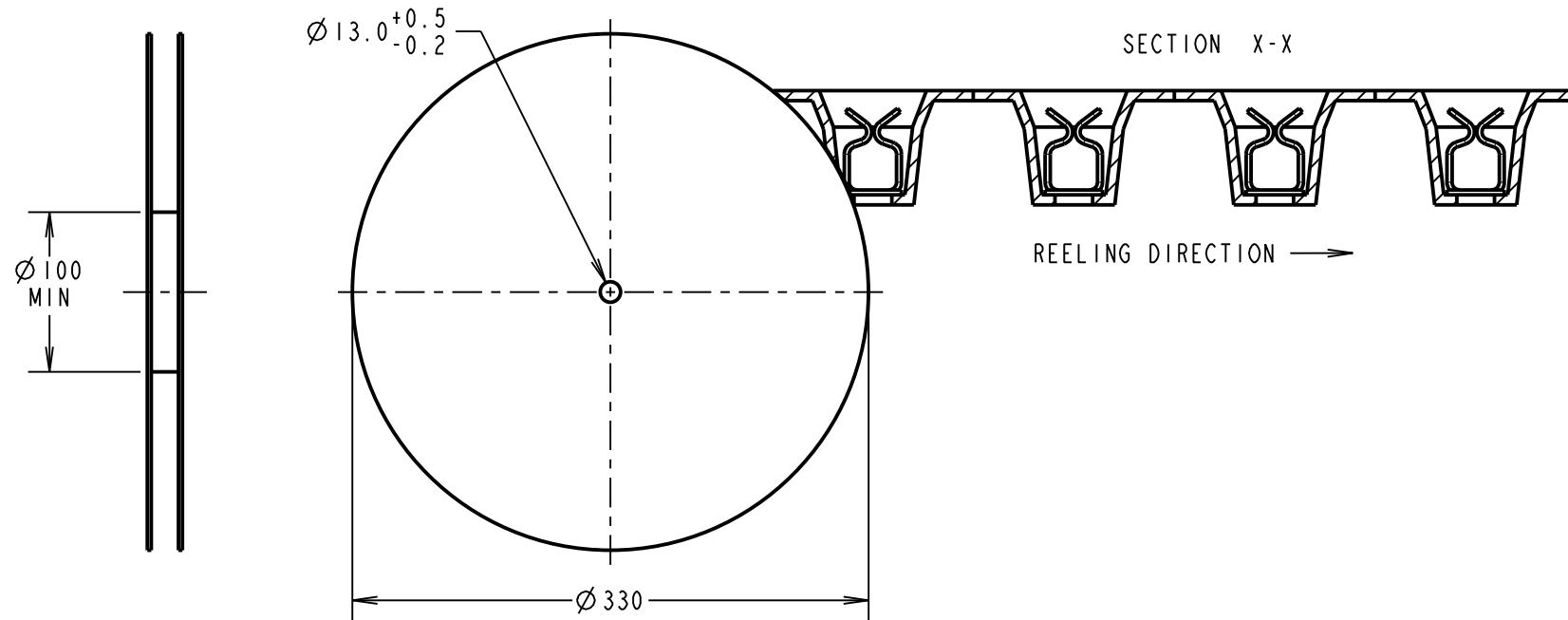
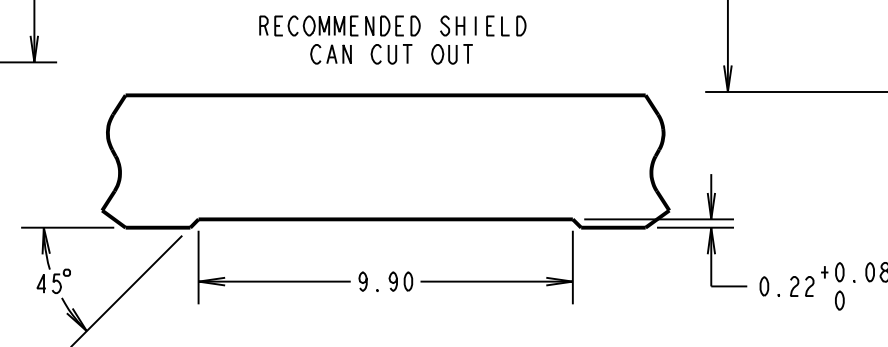
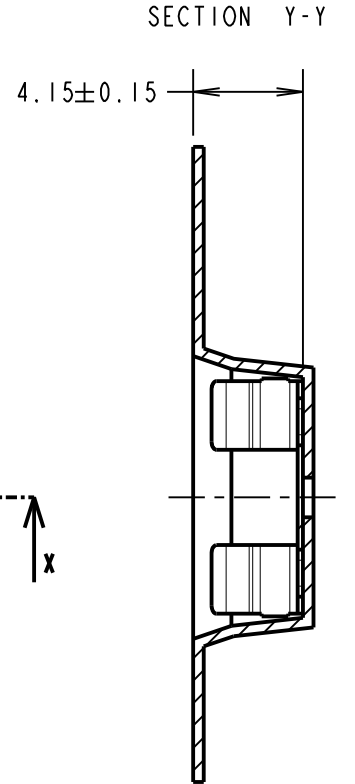
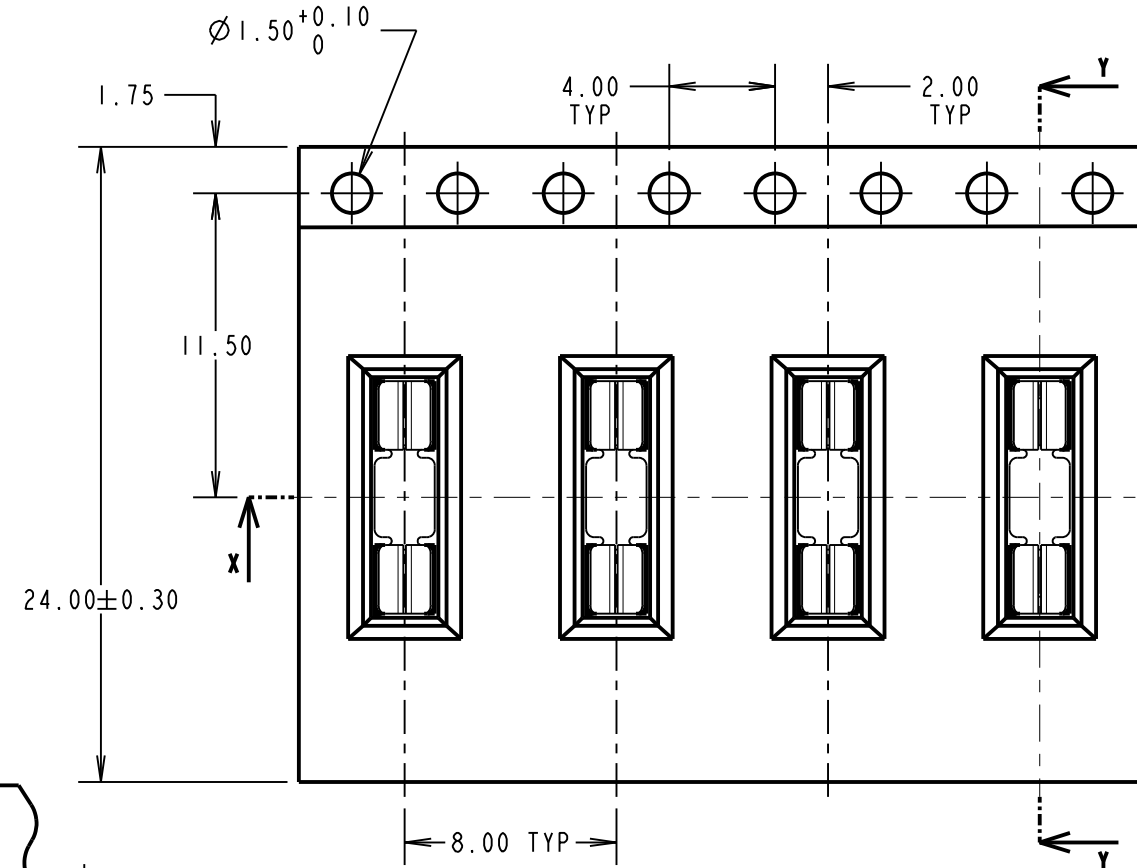
ENVIRONMENTAL:
 OPERATING TEMPERATURE = -40°C TO +125°C

PERFORMANCE SPECIFICATIONS:

INSERTION FORCE (AFTER CONDITIONING) = 4N MAX
 WITHDRAWAL FORCE = 0.5N MIN
 DURABILITY = 20 INSERTIONS MINIMUM
 CONTACT RESISTANCE = 20mΩ MAX
 SHIELD THICKNESS = 0.17mm - 0.30mm

NOTES:

1. QUANTITY PER REEL = 1,900.
2. THIS PRODUCT IS TAPED AND REELED IN ACCORDANCE WITH EIA-481 (ELECTRONIC INDUSTRIES ASSOCIATION).



MGP	13	08.02.21	21936
NAME	ISS.	DATE	CN/CO
APPROVED: MGP			
CHECKED: RTP			
DRAWN: J. EVANS			
CUSTOMER REF.:			
ASSEMBLY DRG:			

HARWIN
 www.harwin.com
 technical@harwin.com

THIS DRAWING AND ANY INFORMATION OR DESCRIPTIVE MATTER SET OUT HEREON ARE CONFIDENTIAL AND COPYRIGHT PROPERTY OF THE HARWIN GROUP AND MUST NOT BE DISCLOSED, LOANED, COPIED OR USED FOR MANUFACTURING, TENDERING OR FOR ANY OTHER PURPOSE WITHOUT THEIR WRITTEN PERMISSION.

TOLERANCES
 X. = ±1mm
 X.X = ±0.50mm
 X.XX = ±0.20mm
 X.XXX = ±0.01mm
 ANGLES = ±5°
 UNLESS STATED

MATERIAL: SEE ABOVE
FINISH: SEE ABOVE
S/AREA: mm²

TITLE: SMT RFI SHIELD CLIP IN TAPE AND REEL (CUPRO NICKEL)
DRAWING NUMBER: S2711-46R
 SHT 2 OF 2