

Customer Information Sheet

DRAWING No.: S1951-46R

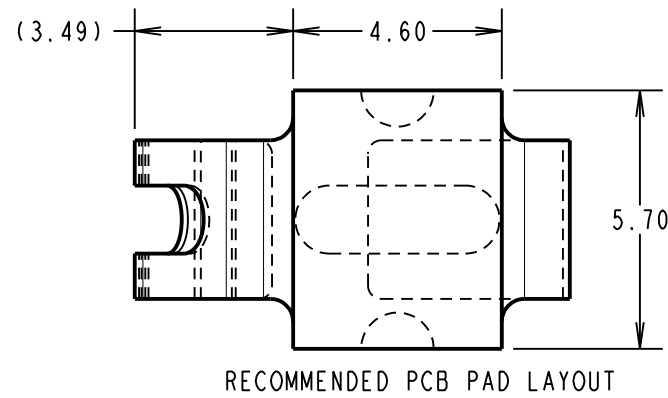
IF IN DOUBT - ASK

©

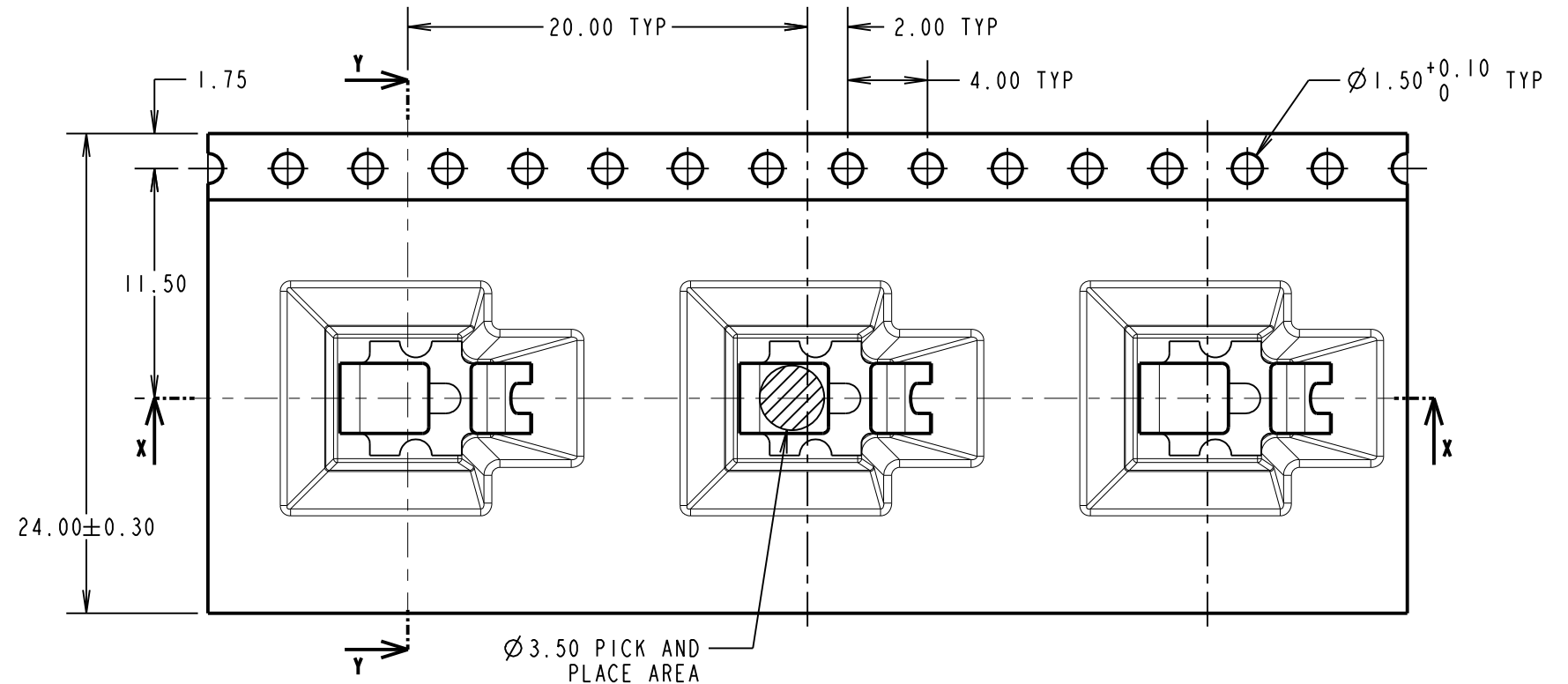
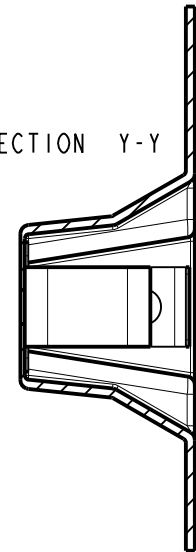
NOT TO SCALE

THIRD ANGLE PROJECTION

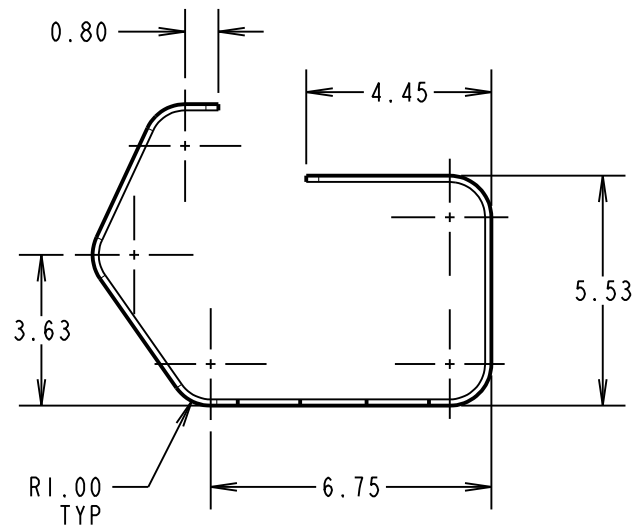
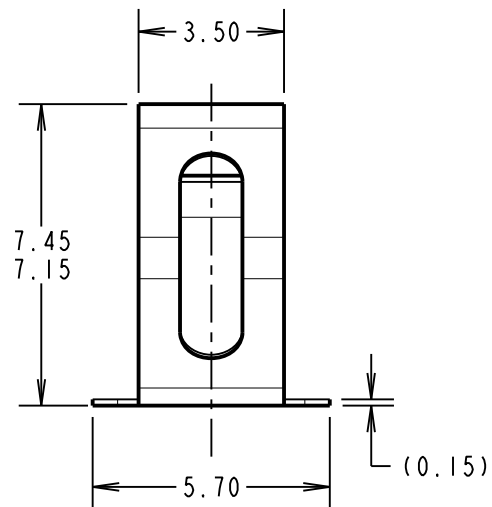
ALL DIMENSIONS IN mm



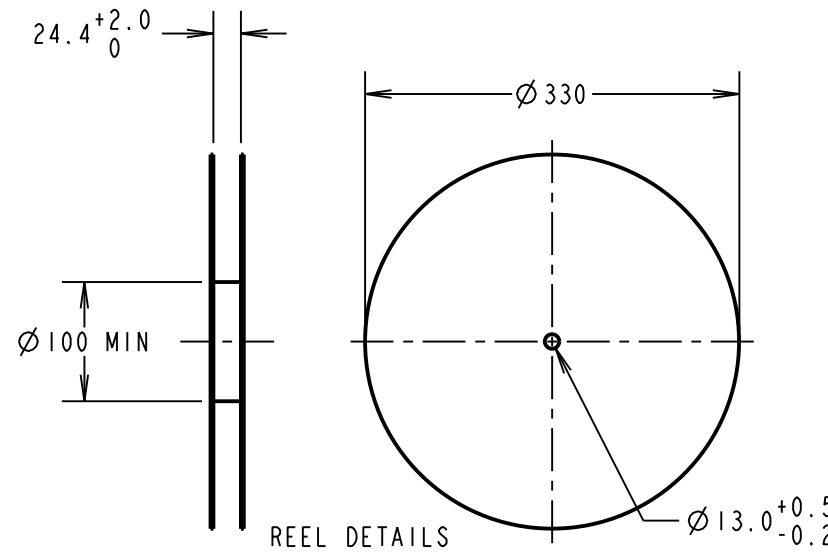
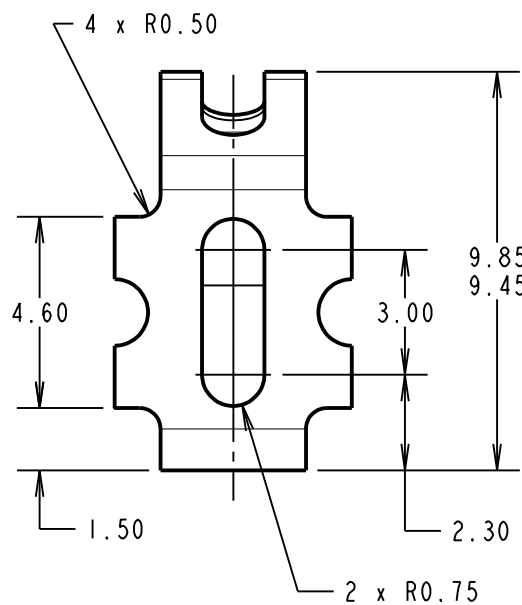
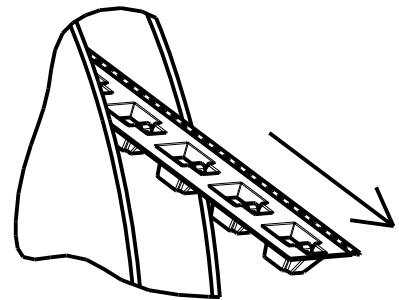
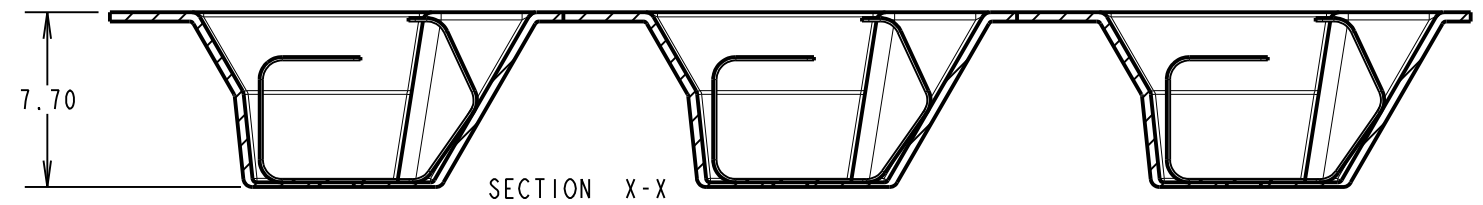
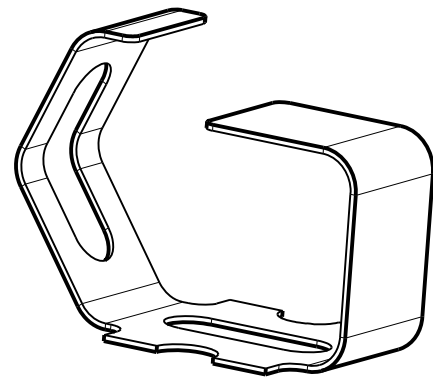
SECTION Y-Y



- NOTES:
 1. QUANTITY OF COMPONENTS PER REEL = 350.
 2. THIS PRODUCT IS TAPED AND REELED IN ACCORDANCE WITH EIA-481 (ELECTRONICS INDUSTRIES ASSOCIATION).



COMPONENT DETAILS



MGP	6	15.10.19	21888
NAME	ISS.	DATE	C/NOTE
APPROVED: MGP			
CHECKED: RP			
DRAWN: S.BENNETT			
CUSTOMER REF.:			
ASSEMBLY DRG:			

HARWIN
 www.harwin.com
 technical@harwin.com

THIS DRAWING AND ANY INFORMATION OR DESCRIPTIVE MATTER SET OUT HEREON ARE CONFIDENTIAL AND COPYRIGHT PROPERTY OF THE HARWIN GROUP AND MUST NOT BE DISCLOSED, LOANED, COPIED OR USED FOR MANUFACTURING, TENDERING OR FOR ANY OTHER PURPOSE WITHOUT THEIR WRITTEN PERMISSION.

TOLERANCES
 X. = ±1mm
 X.X = ±0.50mm
 X.XX = ±0.20mm
 X.XXX = ±0.01mm
 ANGLES = ±5°
 UNLESS STATED

MATERIAL: SEE ABOVE
 FINISH: SEE ABOVE
 S/AREA: mm²

TITLE: MULTI-DIRECTIONAL SHIELD FINGER IN TAPE AND REEL
 DRAWING NUMBER: S1951-46R
 SHT 2 OF 3

Customer Information Sheet

DRAWING No.: S1951-46R

IF IN DOUBT - ASK

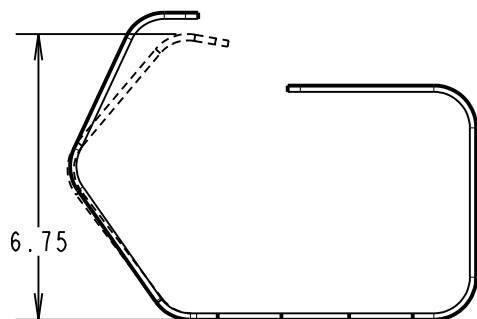
©

NOT TO SCALE

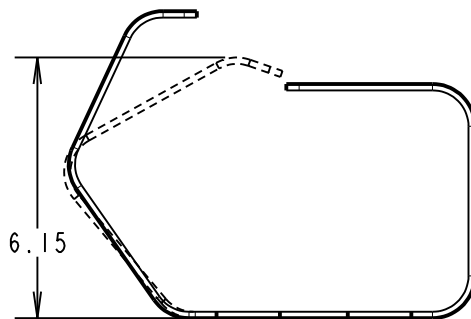
THIRD ANGLE PROJECTION

ALL DIMENSIONS IN mm

**S1951-46R
DEFLECTION FROM ABOVE**

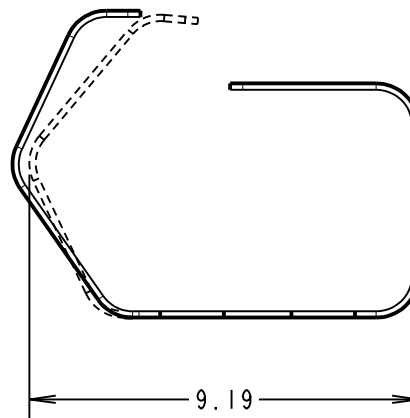


RECOMMENDED WORKING HEIGHT
OF 6.75mm = 0.50mm DEFLECTION,
MINIMUM FORCE OF 1.2N

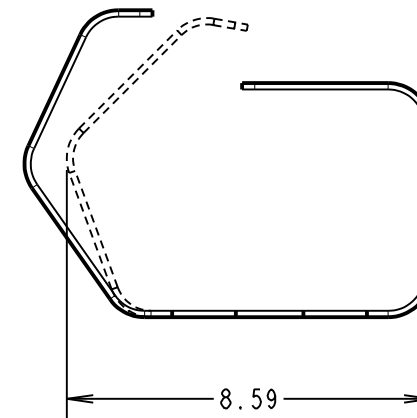


MINIMUM RECOMMENDED HEIGHT
OF 6.15mm = 1.10mm DEFLECTION

**S1951-46R
DEFLECTION FROM FRONT**



RECOMMENDED WORKING LENGTH
OF 9.19mm = 0.40mm DEFLECTION
MINIMUM FORCE OF 1.2N



MINIMUM RECOMMENDED LENGTH
OF 8.59mm = 1.00mm DEFLECTION

COMPONENT SPECIFICATION:
MATERIAL = BERYLLIUM COPPER
FINISH = 3µm 100% TIN OVER 2µm NICKEL
ELECTRICAL:
CURRENT RATING = 7A MAX
CONTACT RESISTANCE = 20mΩ MAX
MECHANICAL:
DURABILITY = 5000 CYCLES

MGP	6	15.10.19	21888
NAME	ISS.	DATE	C/NOTE
APPROVED: MGP			
CHECKED: RP			
DRAWN: S.BENNETT			
CUSTOMER REF.:			
ASSEMBLY DRG:			

HARWIN

www.harwin.com
technical@harwin.com

THIS DRAWING AND ANY
INFORMATION OR DESCRIPTIVE
MATTER SET OUT HEREON ARE
CONFIDENTIAL AND COPYRIGHT
PROPERTY OF THE HARWIN
GROUP AND MUST NOT BE
DISCLOSED, LOANED, COPIED
OR USED FOR MANUFACTURING,
TENDERING OR FOR ANY
OTHER PURPOSE WITHOUT
THEIR WRITTEN PERMISSION.

TOLERANCES
X. = ±1mm
X.X = ±0.50mm
X.XX = ±0.20mm
X.XXX = ±0.01mm
ANGLES = ±5°
UNLESS STATED

MATERIAL:
SEE ABOVE
FINISH: SEE ABOVE
S/AREA: mm²

TITLE:
MULTI-DIRECTIONAL SHIELD FINGER
IN TAPE AND REEL

DRAWING NUMBER:
S1951-46R

SHT
3
OF
3