

Customer Information Sheet

DRAWING No.: S1941-XXR

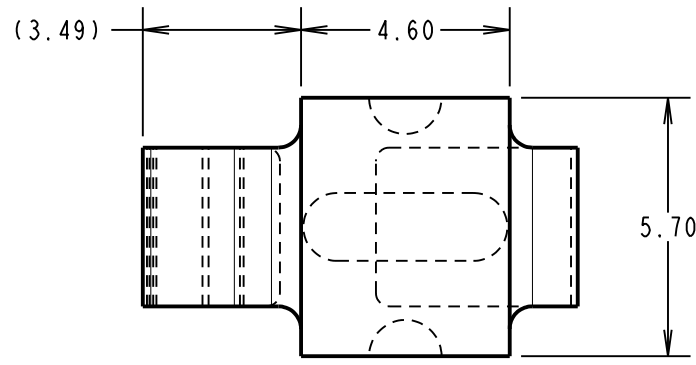
IF IN DOUBT - ASK

©

NOT TO SCALE

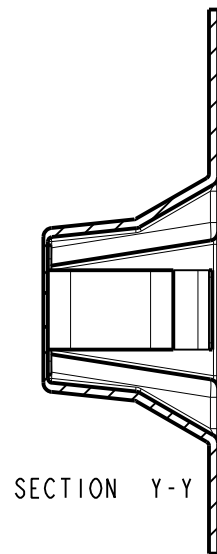
THIRD ANGLE PROJECTION

ALL DIMENSIONS IN mm

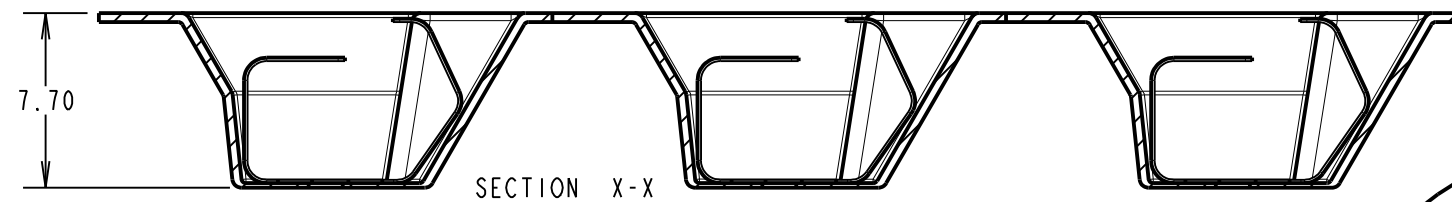
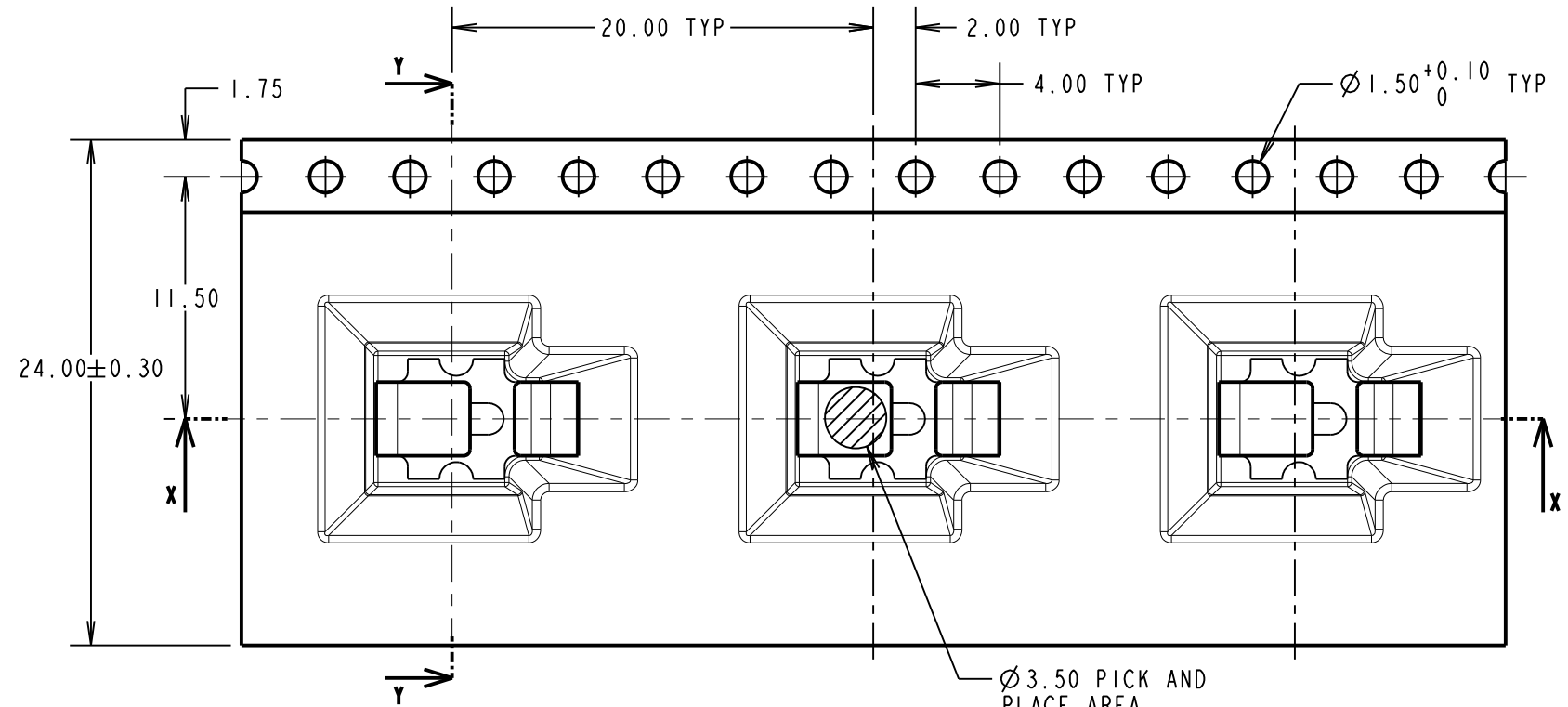


RECOMMENDED PCB PAD LAYOUT

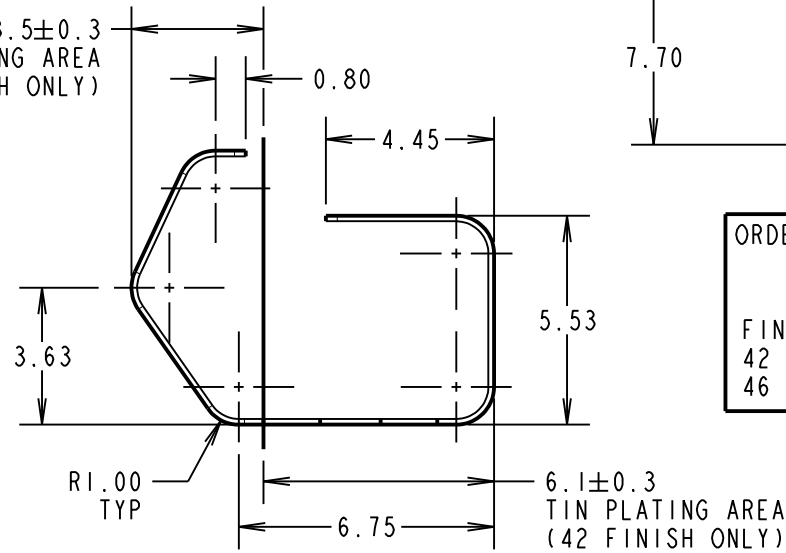
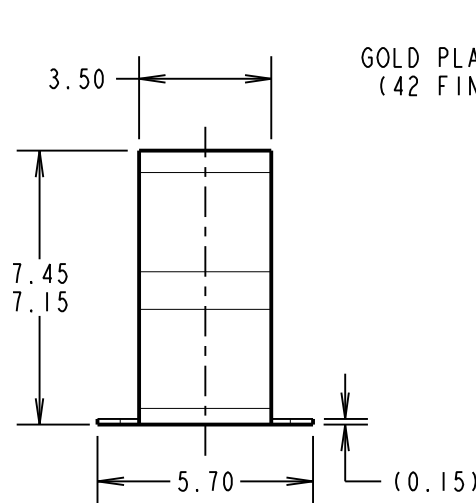
- NOTES:
 1. QUANTITY OF COMPONENTS PER REEL = 350.
 2. THIS PRODUCT IS TAPED AND REELED IN ACCORDANCE WITH EIA-481 (ELECTRONICS INDUSTRIES ASSOCIATION).



SECTION Y-Y



SECTION X-X

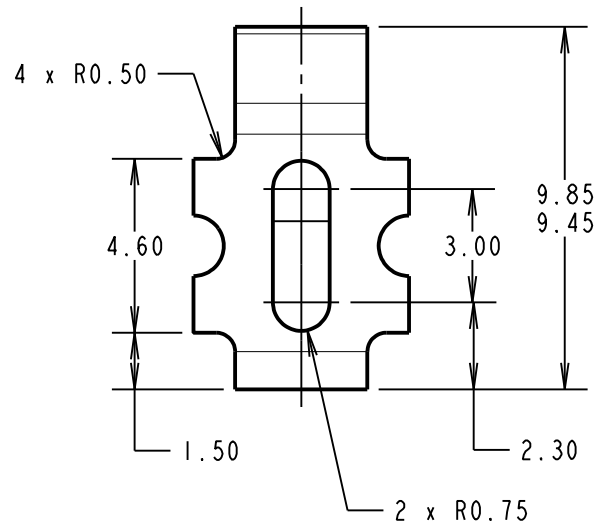


ORDER CODE:
S1941-XXR
 FINISH:
 42 - SELECTIVE GOLD & TIN
 46 - 100% TIN ALL OVER

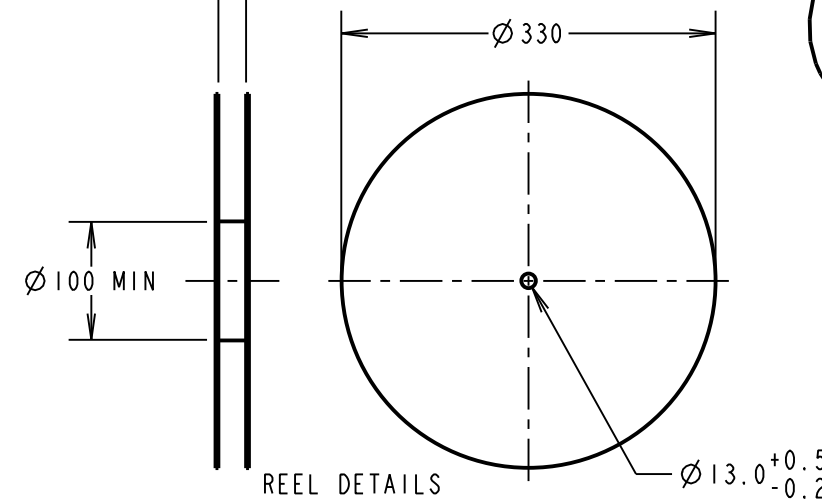
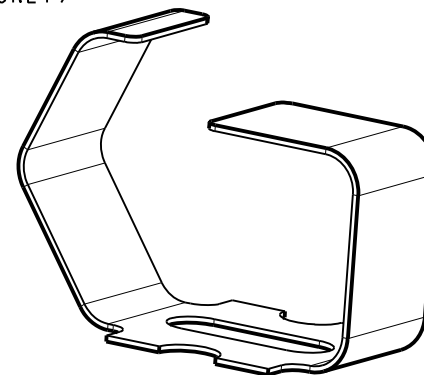
24.4^{+2.0}₀



FINISHED REELING DIRECTION



COMPONENT DETAILS



REEL DETAILS

MGP	7	15.10.19	21888
NAME	ISS.	DATE	C/NOTE
APPROVED: MGP			
CHECKED: RP			
DRAWN: S.BENNETT			
CUSTOMER REF.:			
ASSEMBLY DRG:			

<p>www.harwin.com technical@harwin.com</p>	<p>THIS DRAWING AND ANY INFORMATION OR DESCRIPTIVE MATTER SET OUT HEREON ARE CONFIDENTIAL AND COPYRIGHT PROPERTY OF THE HARWIN GROUP AND MUST NOT BE DISCLOSED, LOANED, COPIED OR USED FOR MANUFACTURING, TENDERING OR FOR ANY OTHER PURPOSE WITHOUT THEIR WRITTEN PERMISSION.</p>	<p>TOLERANCES</p> <p>X. = ±1mm X.X = ±0.50mm X.XX = ±0.20mm X.XXX = ±0.01mm</p> <p>ANGLES = ±5° UNLESS STATED</p>	<p>MATERIAL:</p> <p>SEE ABOVE</p>	<p>TITLE:</p> <p>MULTI-DIRECTIONAL SHIELD FINGER IN TAPE AND REEL</p>
		<p>FINISH:</p> <p>SEE ABOVE</p>	<p>S/AREA:</p> <p>mm²</p>	<p>DRAWING NUMBER:</p> <p>S1941-XXR</p>

Customer Information Sheet

DRAWING No.: S1941-XXR

IF IN DOUBT - ASK

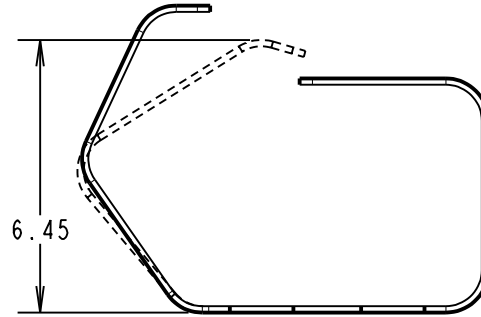
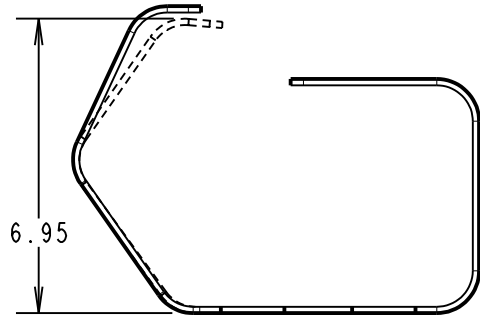


NOT TO SCALE

THIRD ANGLE PROJECTION

ALL DIMENSIONS IN mm

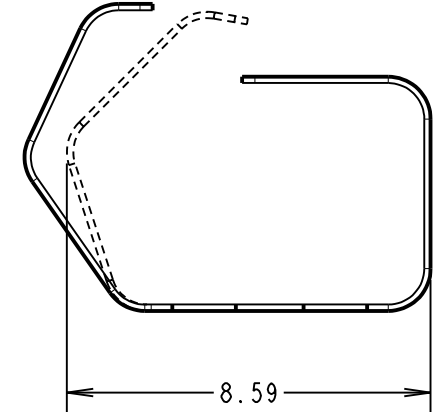
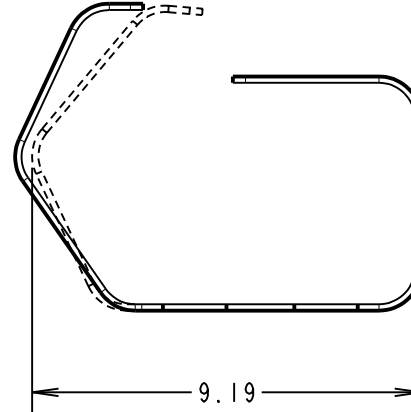
**S1941-46R
DEFLECTION FROM ABOVE**



RECOMMENDED WORKING HEIGHT
OF 6.95mm = 0.30mm DEFLECTION,
MINIMUM FORCE OF 1.2N

MINIMUM RECOMMENDED HEIGHT
OF 6.45mm = 0.80mm DEFLECTION

**S1941-46R
DEFLECTION FROM FRONT**



RECOMMENDED WORKING LENGTH
OF 9.19mm = 0.40mm DEFLECTION,
MINIMUM FORCE OF 1.2N

MINIMUM RECOMMENDED LENGTH
OF 8.59mm = 1.00mm DEFLECTION

COMPONENT SPECIFICATION:

MATERIAL = BERYLLIUM COPPER

FINISH:

42 = 2µm NICKEL ALL OVER,
0.15µm GOLD ON CONTACT AREA,
3µm 100% TIN ON BASE

46 = 3µm 100% TIN OVER 2µm NICKEL

ELECTRICAL:

CURRENT RATING = 9A MAX

CONTACT RESISTANCE = 20mΩ MAX

MECHANICAL:

DURABILITY = 5000 CYCLES

MGP	7	15.10.19	21888
NAME	ISS.	DATE	C/NOTE
APPROVED:		MGP	
CHECKED:		RP	
DRAWN:		S.BENNETT	
CUSTOMER REF.:			
ASSEMBLY DRG:			

HARWIN

www.harwin.com
technical@harwin.com

THIS DRAWING AND ANY
INFORMATION OR DESCRIPTIVE
MATTER SET OUT HEREON ARE
CONFIDENTIAL AND COPYRIGHT
PROPERTY OF THE HARWIN
GROUP AND MUST NOT BE
DISCLOSED, LOANED, COPIED
OR USED FOR MANUFACTURING,
TENDERING OR FOR ANY
OTHER PURPOSE WITHOUT
THEIR WRITTEN PERMISSION.

TOLERANCES

X. = ±1mm
X.X = ±0.50mm
X.XX = ±0.20mm
X.XXX = ±0.01mm

ANGLES = ±5°
UNLESS STATED

MATERIAL:

SEE ABOVE

FINISH: SEE ABOVE

S/AREA: mm²

TITLE:

MULTI-DIRECTIONAL SHIELD FINGER
IN TAPE AND REEL

DRAWING NUMBER:

S1941-XXR

SHT
3
OF
3