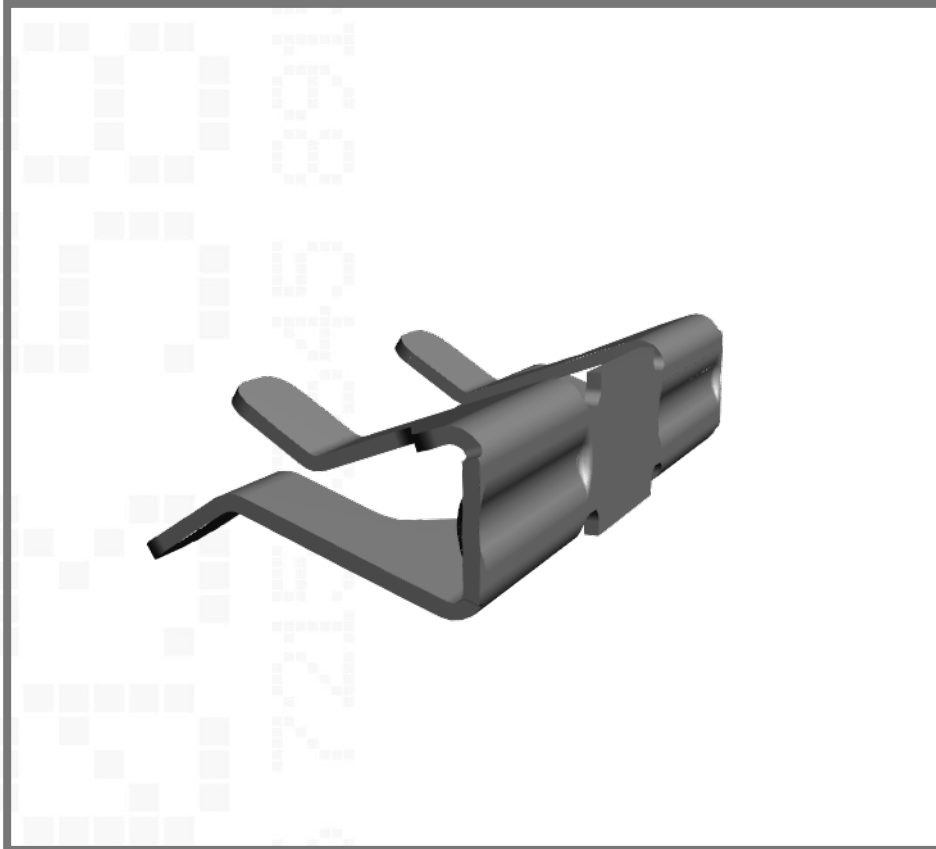


S1721-46

EZ-Shield Clip, SMT, Mini size



Technical Drawing:

[S1721.pdf](#)

Website:

[S1721-46](#)

[Request an evaluation sample](#)

Loose, for Shield Thickness 0.13-0.23mm, Beryllium Copper, Tin