

Customer Information Sheet

DRAWING No.: S1621FXX

SHEET 2 OF 2

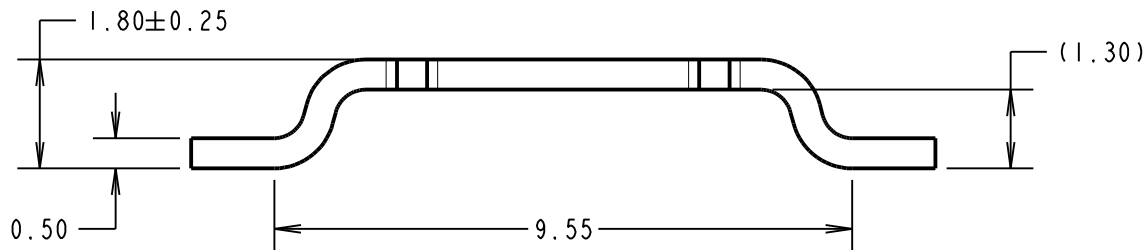
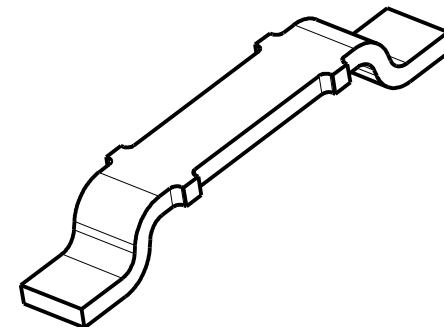
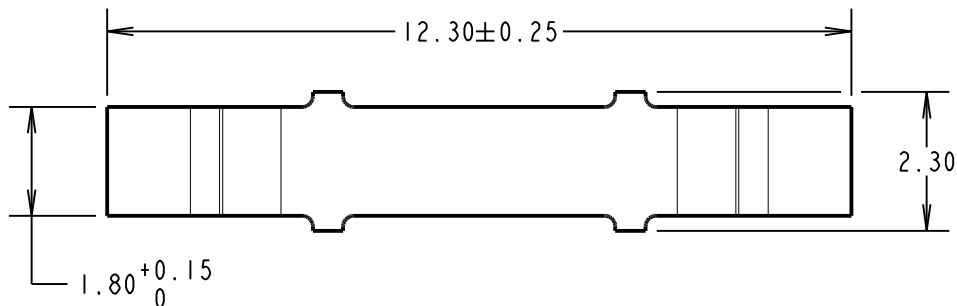
IF IN DOUBT - ASK



NOT TO SCALE

THIRD ANGLE PROJECTION

ALL DIMENSIONS IN mm



NOTES:
1. PACKING = 100 COMPONENTS PER BAG.

COMPONENT SPECIFICATION:

MATERIAL = BRASS CW508L 1/2 HARD

FINISH

06 = 4μ 90/10 TIN/LEAD

46 = 4μ 100% TIN

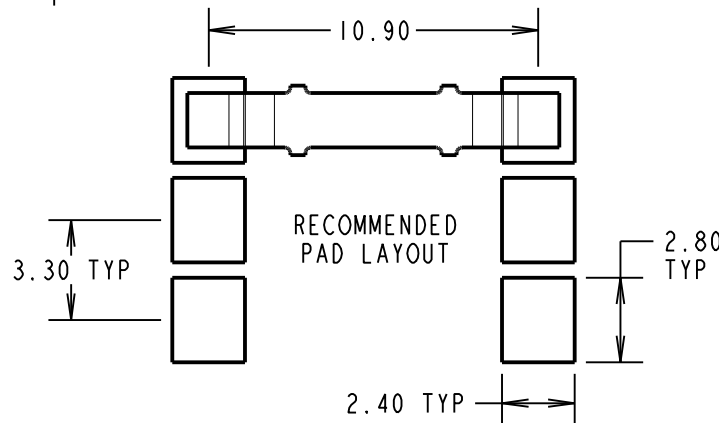
ELECTRICAL:

CURRENT RATING = 10A (30°C TEMP RISE)

CONTACT RESISTANCE = 20mΩ MAX

ENVIRONMENTAL:

OPERATING TEMPERATURE = -40°C TO +125°C



HARWIN PART No.	FARNELL PART No.	FINISH
S1621F06	486-1474	4μ 90/10 TIN/LEAD
S1621F46	102-2336	4μ 100% TIN

MSP	8	16.10.15	13113
NAME	ISS.	DATE	C/NOTE
APPROVED:		M.PERREN	
CHECKED:		S.BENNETT	
DRAWN:		J. EVANS	
CUSTOMER REF.:			
ASSEMBLY DRG:			

HARWIN

www.harwin.com
technical@harwin.com

THIS DRAWING AND ANY INFORMATION OR DESCRIPTIVE MATTER SET OUT HEREON ARE CONFIDENTIAL AND COPYRIGHT PROPERTY OF THE HARWIN GROUP AND MUST NOT BE DISCLOSED, LOANED, COPIED OR USED FOR MANUFACTURING, TENDERING OR FOR ANY OTHER PURPOSE WITHOUT THEIR WRITTEN PERMISSION.

TOLERANCES

X. = ±1mm
X.X = ±0.50mm
X.XX = ±0.10mm
X.XXX = ±0.01mm
ANGLES = ±5°
UNLESS STATED

MATERIAL:

BRASS CW508L H120 TO
BS EN 1652
(CuZn37 1/2 HARD)

FINISH: SEE TABLE

S/AREA: mm²

TITLE:

SURFACE MOUNT JUMPER
(LOOSE)

DRAWING NUMBER:

S1621FXX

SHT
2 OF 2