

Customer Information Sheet

DRAWING No.: S1621F46

SHEET 2 OF 2

IF IN DOUBT - ASK

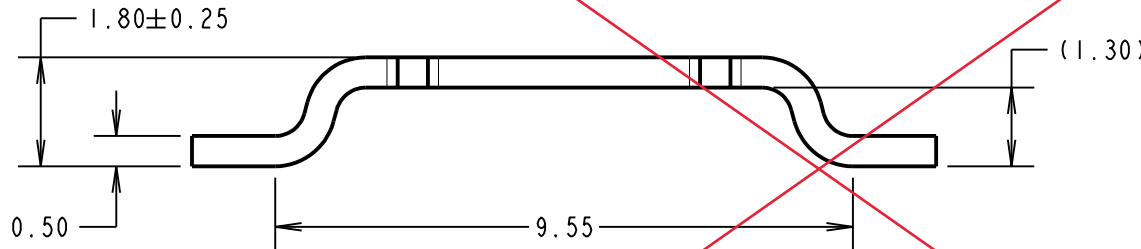
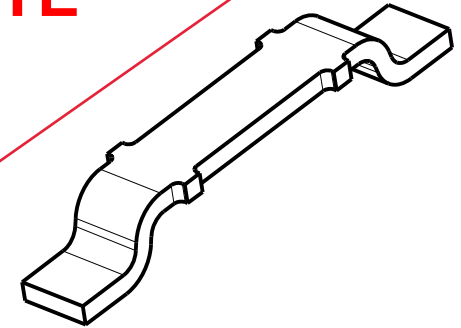
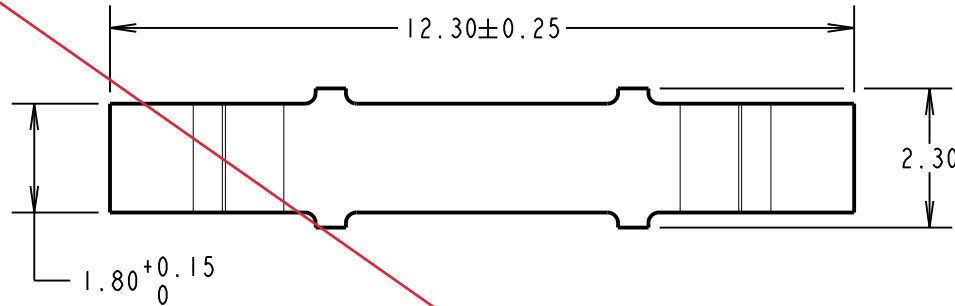
©

NOT TO SCALE

THIRD ANGLE PROJECTION

ALL DIMENSIONS IN mm

OBSOLETE



NOTES:
1. PACKING = 100 COMPONENTS PER BAG.

COMPONENT SPECIFICATION:

MATERIAL = BRASS CW508L 1/2 HARD

FINISH = 4μ 100% TIN OVER NICKEL

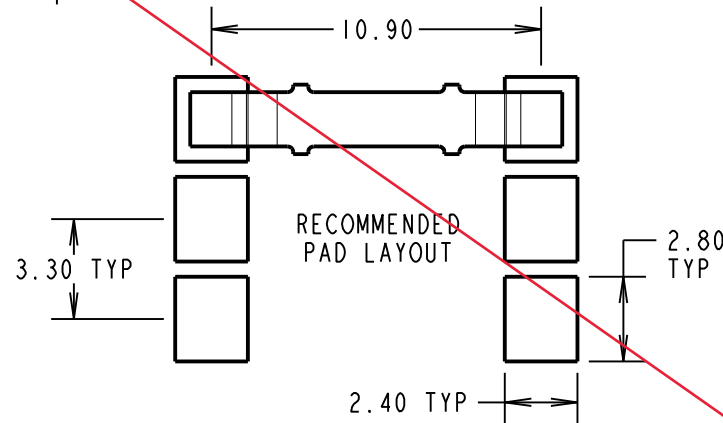
ELECTRICAL

CURRENT RATING = 10A (30°C TEMP RISE)

CONTACT RESISTANCE = 20mΩ MAX

ENVIRONMENTAL:

OPERATING TEMPERATURE = -40°C TO +125°C



HARWIN PART No.	FARNELL PART No.
S1621F46	102-2336

WJP	9	23.11.16	13488
NAME	ISS.	DATE	C/NOTE
APPROVED: W. J. PRESTON			
CHECKED: M. PLESTED			
DRAWN: J. EVANS			
CUSTOMER REF.:			
ASSEMBLY DRG:			

HARWIN

www.harwin.com
technical@harwin.com

THIS DRAWING AND ANY INFORMATION OR DESCRIPTIVE MATTER SET OUT HEREON ARE CONFIDENTIAL AND COPYRIGHT PROPERTY OF THE HARWIN GROUP AND MUST NOT BE DISCLOSED, LOANED, COPIED OR USED FOR MANUFACTURING, TENDERING OR FOR ANY OTHER PURPOSE WITHOUT THEIR WRITTEN PERMISSION.

TOLERANCES
X. = ±1mm
X.X = ±0.50mm
X.XX = ±0.10mm
X.XXX = ±0.01mm
ANGLES = ±5°
UNLESS STATED

MATERIAL:
BRASS CW508L H120 TO BS EN 1652 (CuZn37 1/2 HARD)
FINISH: SEE ABOVE
S/AREA: mm²

TITLE:
SURFACE MOUNT JUMPER (LOOSE)

DRAWING NUMBER:
S1621F46

SHT 2 OF 2