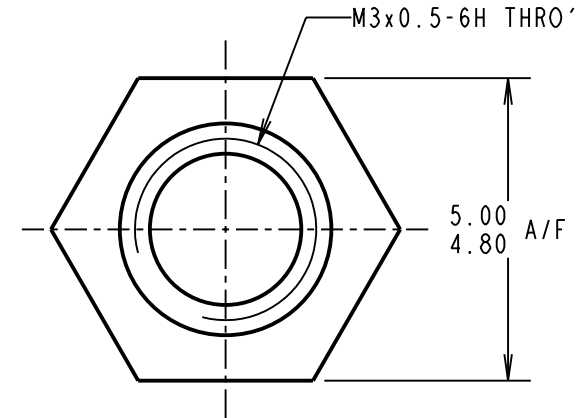
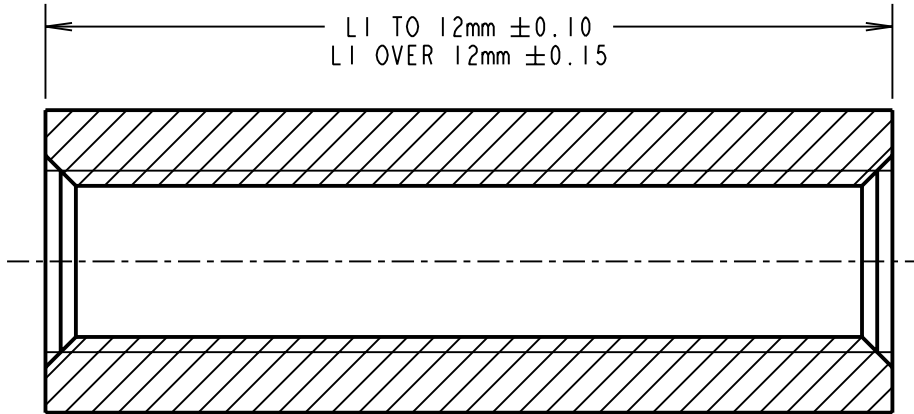


Customer Information Sheet

DRAWING No.: R6372F02 / R6379F02 SHEET 2 OF 2 IF IN DOUBT - ASK (C) NOT TO SCALE THIRD ANGLE PROJECTION ALL DIMENSIONS IN mm



PART No.	LI
R6372F02	6.00
R6373F02	8.00
R6374F02	10.00
R6375F02	12.00
R6376F02	14.00
R6377F02	16.00
R6378F02	18.00
R6379F02	20.00

ORDER CODE:
R637XF02
 LENGTH LI IN mm
 PLATING FINISH:
 02 = NICKEL

CP	1	19.03.10	10711
NAME	ISS.	DATE	C/NOTE
APPROVED: C.PENROSE			
CHECKED: R.ADDE			
DRAWN: C.PENROSE			
CUSTOMER REF.:			
ASSEMBLY DRG:			

NOTES:
 1. FOR STANDARD PARTS SEE R30-100XXXX.

HARWIN

HARWIN USA TEL: 603 893 5376 FAX: 603 893 5396 mis@harwin.com	HARWIN Europe (UK) TEL: 023 9231 4545 FAX: 023 9231 4590 mis@harwin.co.uk	HARWIN Asia TEL: +65 6 779 4909 FAX: +65 6 779 3868 mis@harwin.com.sg
--	--	--

THIS DRAWING AND ANY INFORMATION OR DESCRIPTIVE MATTER SET OUT HEREON ARE CONFIDENTIAL AND COPYRIGHT PROPERTY OF THE HARWIN GROUP AND MUST NOT BE DISCLOSED, LOANED, COPIED OR USED FOR MANUFACTURING, TENDERING OR FOR ANY OTHER PURPOSE WITHOUT THEIR WRITTEN PERMISSION.

TOLERANCES
 X. = ±1mm
 X.X = ±0.25mm
 X.XX = ±0.10mm
 X.XXX = ±0.01mm
 ANGLES = ±5°
 UNLESS STATED

MATERIAL:
 BRASS CW614N M
 TO BS EN 12164
 FINISH: SEE ABOVE
 S/AREA: mm²

TITLE:
 M3 HEXAGONAL
 FEMALE SPACER
 DRAWING NUMBER:
R6372F02 / R6379F02

SHT
 2
 OF
 2