

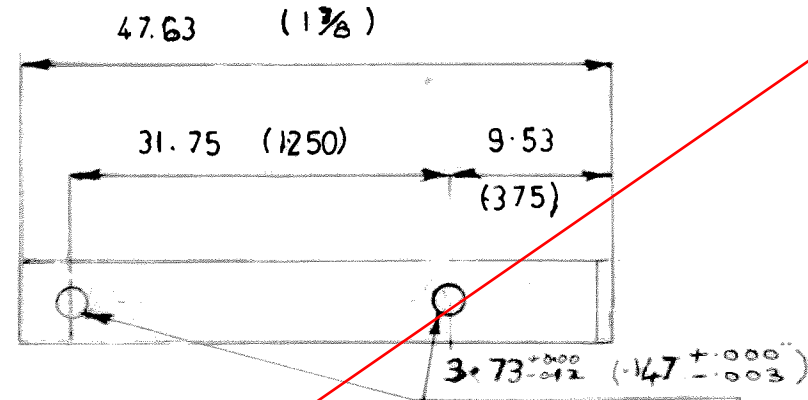
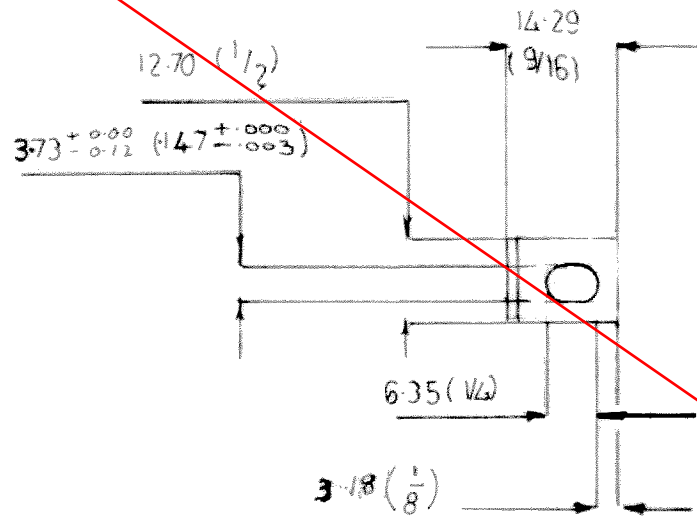
DRAWING NUMBER
R4011-03

THIRD ANGLE PROJECTION

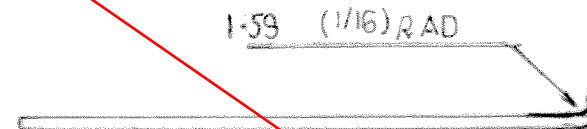
DO NOT SCALE

MACH. No.

CAM No.



OBSOLETE



11	10/31/80
ISS.	DATE CHANGE
APPD.	<i>[Signature]</i>
CHKD.	<i>[Signature]</i>
DRAWN	S.D.C
OLD	REF.
R4011	
COMPUTER No.	
ASSY. DRAWING	

DEVELOPED LENGTH 59.06 (2.325) Ref only.

HARWIN ENGINEERS S.A.

FITZHERBERT RD., FARLINGTON,

PORTSMOUTH, PO6 1RT

MATERIAL
16 SWG M STEEL

TITLE
MOUNTING BRACKET

FINISH ZINC PLATE

SURFACE AREA mm²

TOLS. X-X ± 0.25 X-XX ± 0.13

DIMS. IN MM(IN) SCALE

DRAWING NUMBER

R4011-03

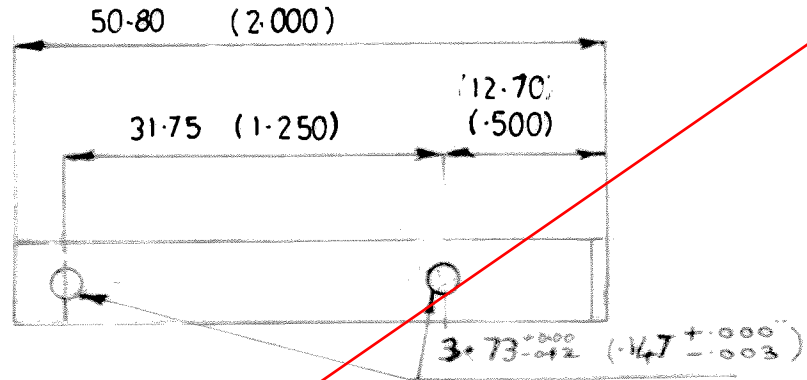
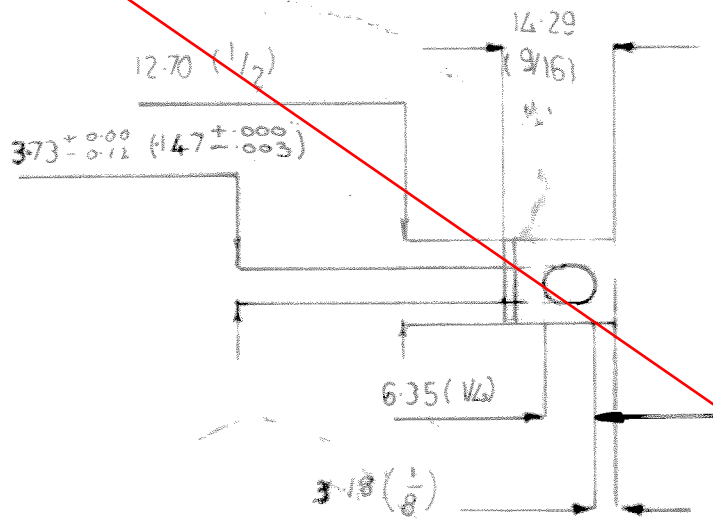
DRAWING NUMBER
R 4012 - 03

THIRD ANGLE PROJECTION

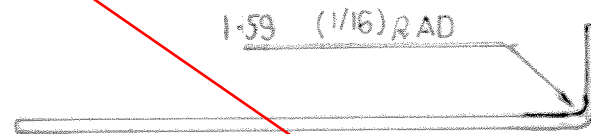
DO NOT SCALE

MACH. No.

CAM No.



OBSOLETE



DEVELOPED LENGTH 62.23 (2.450) Ref only.

HARWIN ENGINEERS S.A.

FITZHERBERT RD FARLINGTON,
PORTSMOUTH, PO6 1RT

MATERIAL
16 SWG M STEEL

TITLE
MOUNTING BRACKET

FINISH ZINC PLATE

SURFACE AREA mm²

TOLS. X·X ± 0.25 X·XX ± 0.13

DIMS. IN MM(INS) SCALE

11	10/3/80	
ISS.	DATE	CHANGE
APPD.	<i>[Signature]</i>	
CHKD.	<i>[Signature]</i>	
DRAWN	S.D.C	
C. OLD DRAWING REF.		
R 4012		
COMPUTER No.		

ASSY. DRAWING

DRAWING NUMBER

R4012-03

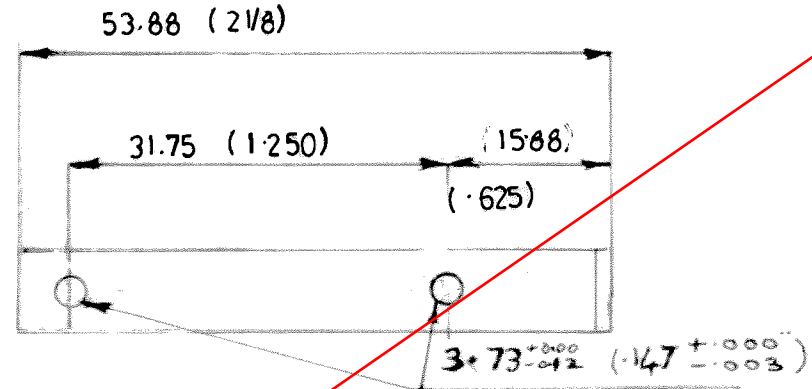
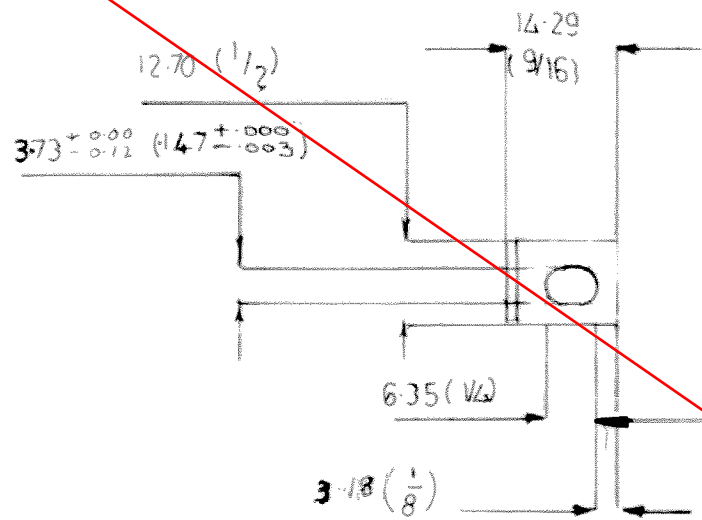
DRAWING NUMBER
R4013-03

THIRD ANGLE PROJECTION

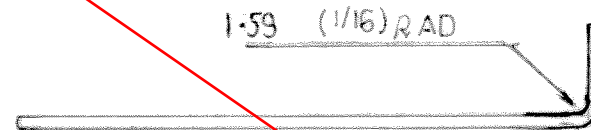
DO NOT SCALE

MACH. No.

CAM No.



OBSOLETE



11	10/3/80	
ISS.	DATE	CHANGE
APPD.	<i>[Signature]</i>	
CHKD.	<i>[Signature]</i>	
DRAWN	S.D.C	
OLD	FOR REF.	
R 4013		
COMPUTER No.		
ASSY. DRAWING		

DEVELOPED LENGTH 65.40 (2.575) Ref only.

HARWIN ENGINEERS S.A.
FITZHERBERT RD. FARLINGTON,
PORTSMOUTH, PO6 1RT

MATERIAL
16 SWG M STEEL

TITLE
MOUNTING BRACKET

FINISH ZINC PLATE

SURFACE AREA mm²

TOLS. X.X ± 0.25 X.XX ± 0.13

DIMS. IN MM(INS) SCALE

DRAWING NUMBER

R4013-03

DRAWING NUMBER

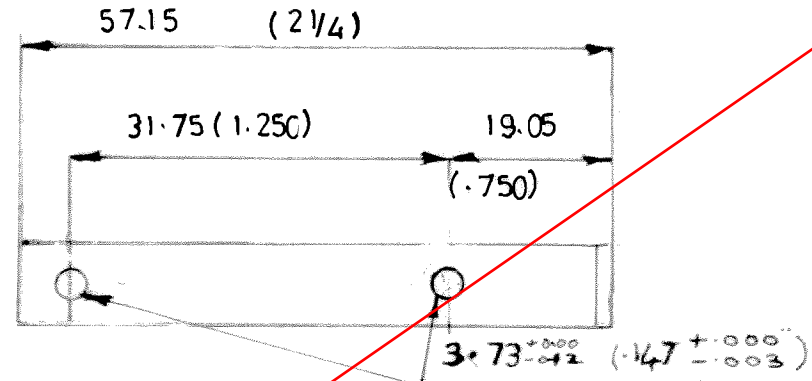
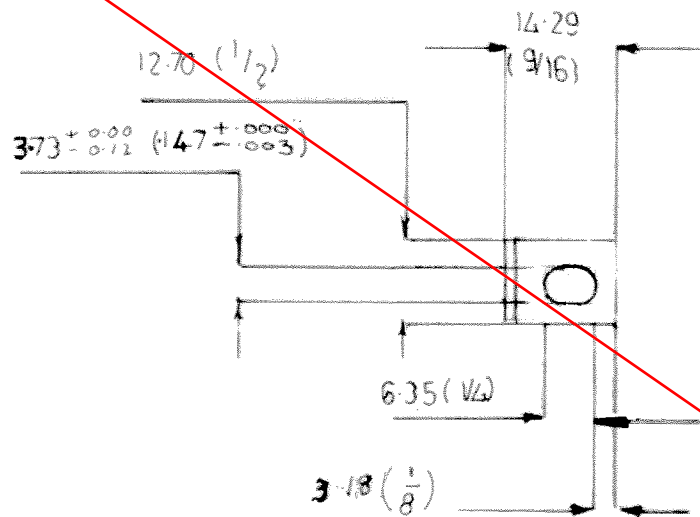
R4014-03

THIRD ANGLE PROJECTION

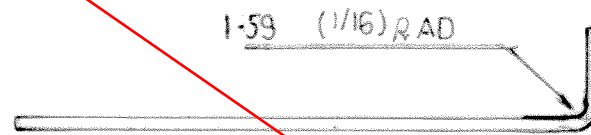
DO NOT SCALE

MACH. No.

CAM No.



OBSOLETE



11	10/31/80	
ISS.	DATE	CHANGE
APPD.	<i>[Signature]</i>	
CHKD.	<i>[Signature]</i>	
DRAWN	S.D.C	
COLD	REF.	
	R4014	
COMPUTER No.		
ASSY. DRAWING		

DEVELOPED LENGTH 68.58 (2.700) Ref only.

HARWIN ENGINEERS S.A.

FITZHERBERT RD., FARLINGTON,
PORTSMOUTH, PO6 1RT

MATERIAL
16 SWG M STEEL

TITLE
MOUNTING BRACKET

FINISH ZINC PLATE

SURFACE AREA mm²

TOLS. X·X ± 0.25 X·XX ± 0.13

DIMS. IN MM(INS) SCALE

DRAWING NUMBER

R4014-03

DRAWING NUMBER

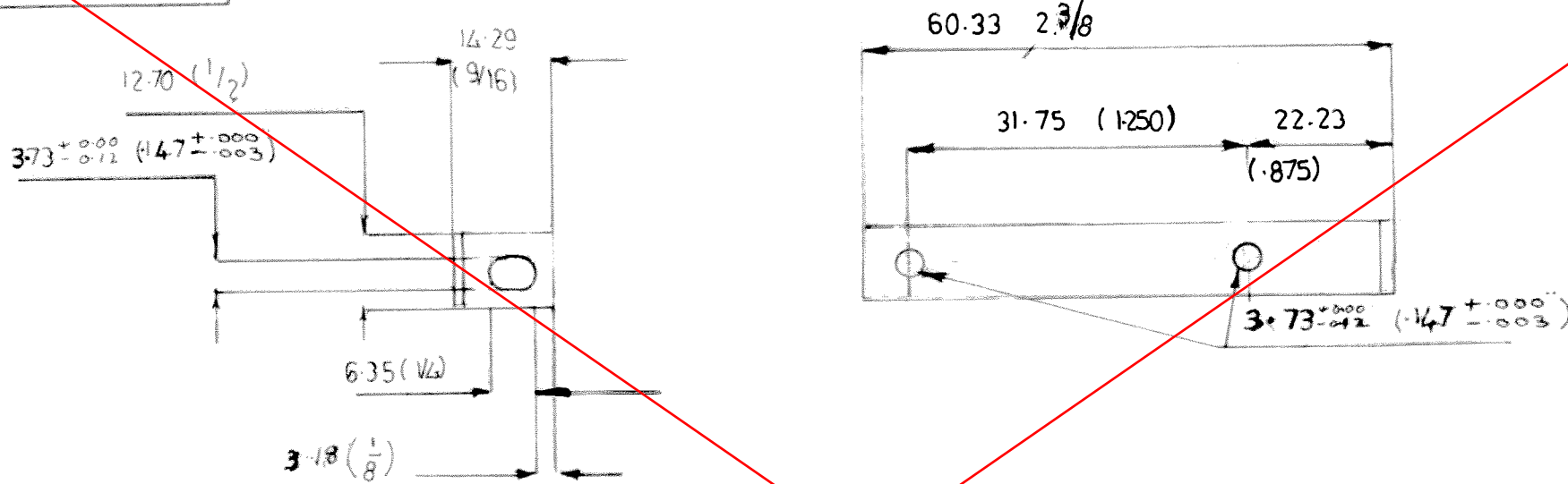
R4015-03

THIRD ANGLE PROJECTION

DO NOT SCALE

MACH. No.

CAM No.



OBSOLETE

11	10/3/80	ISS. DATE CHANGE
		APPD. <i>[Signature]</i>
		CHKD. <i>[Signature]</i>
		DRAWN S.D.C
		OLD. OWNER REF. R 4015
		COMPUTER No.
		ASSY. DRAWING

DEVELOPED LENGTH 71.76 (2.825) *Ref only.*

HARWIN ENGINEERS S.A.

FITZHERBERT RD FARLINGTON

PORTSMOUTH, PO8 1RT

MATERIAL
16 SWG M STEEL

TITLE
MOUNTING BRACKET

FINISH ZINC PLATE

SURFACE AREA mm²

TOLS. X·X ± 0.25 X·XX ± 0.13

DIMS IN MM(INS) SCALE

DRAWING NUMBER

R4015-03

DRAWING NUMBER

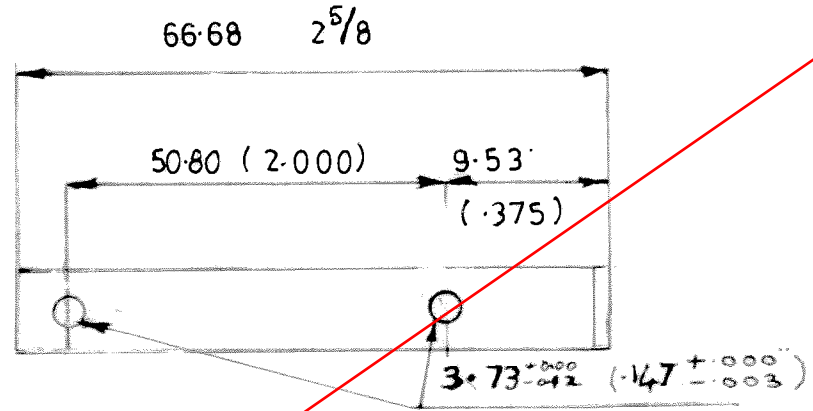
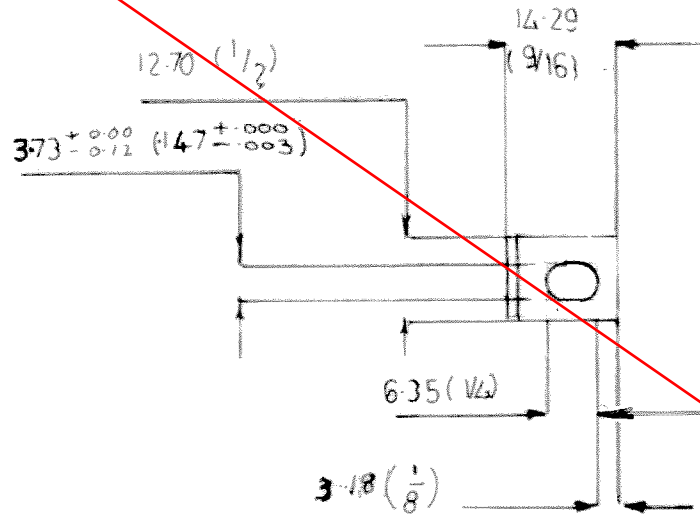
R4016-03

THIRD ANGLE PROJECTION

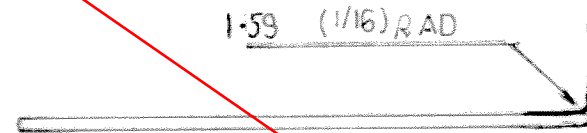
DO NOT SCALE

MACH. No.

CAM No.



OBSOLETE



DEVELOPED LENGTH 78.11 (3.075) Ref only.

HARWIN ENGINEERS S.A.

FITZHERBERT RD., FARLINGTON,
PORTSMOUTH, PO6 1RT

MATERIAL
16 SWG M STEEL

TITLE
MOUNTING BRACKET

FINISH ZINC PLATE

SURFACE AREA mm²

TOLS. X·X ± 0.25 X·XX ± 0.13

DIMS. IN MM(INS) SCALE

11	10/3/80	
ISS.	DATE	CHANGE
APPD.	<i>[Signature]</i>	
CHKD.		
DRAWN	S.D.S.	
OLD	REF.	
R 4016		
COMPUTER No.		
ASSY. DRAWING		

DRAWING NUMBER

R4016-03

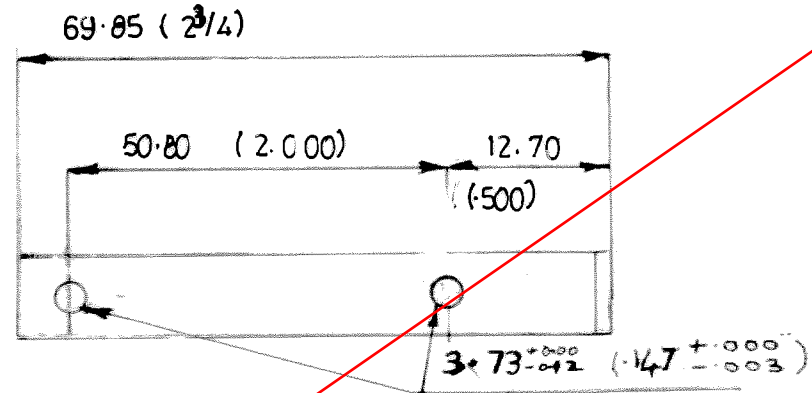
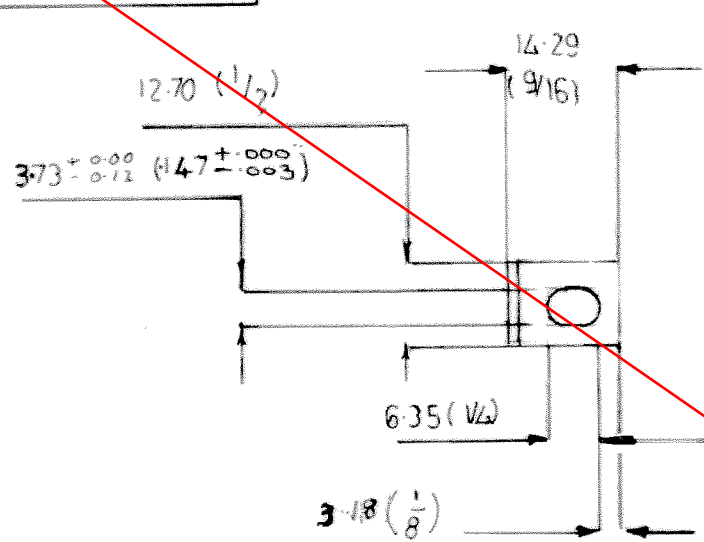
DRAWING NUMBER
R4017-03

THIRD ANGLE PROJECTION

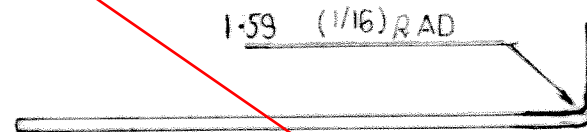
DO NOT SCALE

MACH. No.

CAM No.



OBSOLETE



11	10/3/80	
ISS. DATE	CHANGE	
APPD.		
CHKD.		
DRAWN	S.D.S	
FOLD OVER REF.		
R 4017		
COMPUTER No.		
ASSY. DRAWING		

DEVELOPED LENGTH 81.28 (3.200) *Ref only*

HARWIN ENGINEERS S.A.

FITZHERBERT RD. FARLINGTON.

PORTSMOUTH, PO6 1RT

MATERIAL
16 SWG M STEEL

TITLE
MOUNTING BRACKET

FINISH ZINC PLATE

SURFACE AREA mm²

TOLS. X·X ± 0.25 X·XX ± 0.13

DIMS. IN MM(IN) SCALE

DRAWING NUMBER

R4017-03

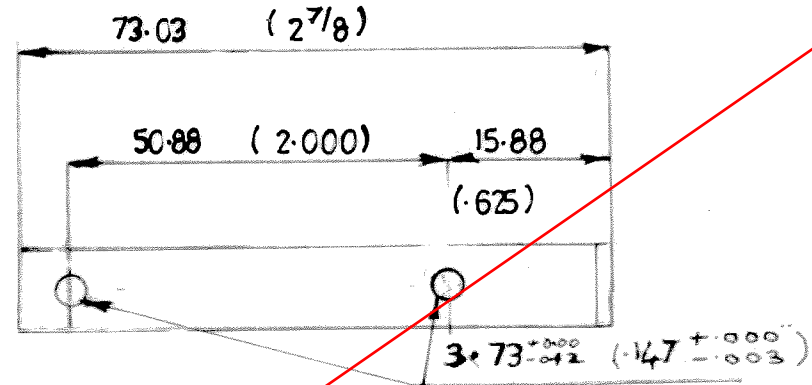
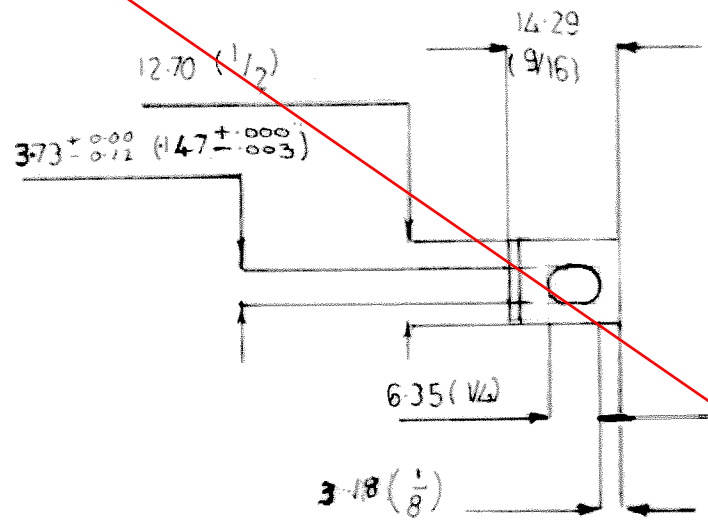
DRAWING NUMBER
R 4018-03

THIRD ANGLE PROJECTION

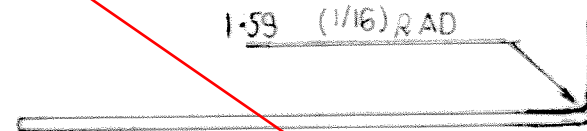
DO NOT SCALE

MACH. No.

CAM No.



OBSOLETE



11	10/3/80	
ISS.	DATE	CHANGE
APPD.	<i>B. G. J.</i>	
CHKD.	<i>[Signature]</i>	
DRAWN	S.D.C.	
OLD	REF.	
	R 4018	
COMPUTER No.		
ASSY. DRAWING		

DEVELOPED LENGTH 84.45 (3.325) Ref only.

HARWIN ENGINEERS S.A.

FITZHERBERT RD., FARLINGTON.

PORTSMOUTH, PO6 1RT

MATERIAL
16 SWG M STEEL

TITLE
MOUNTING BRACKET

FINISH ZINC PLATE

SURFACE AREA mm²

TOLS. X·X ± 0.25 X·XX ± 0.13

DIMS. IN MM(INS) SCALE

DRAWING NUMBER

R4018-03

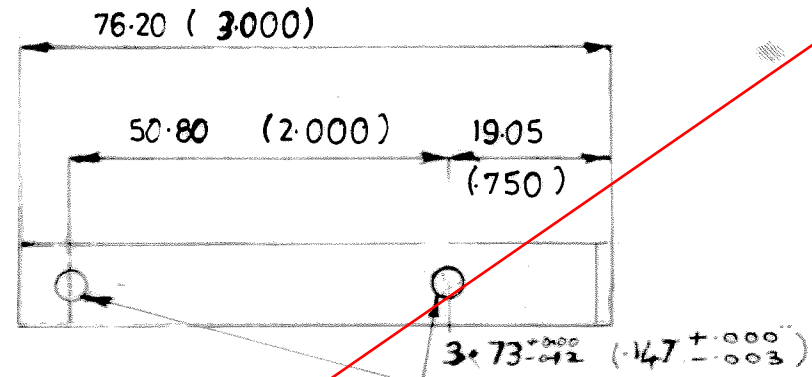
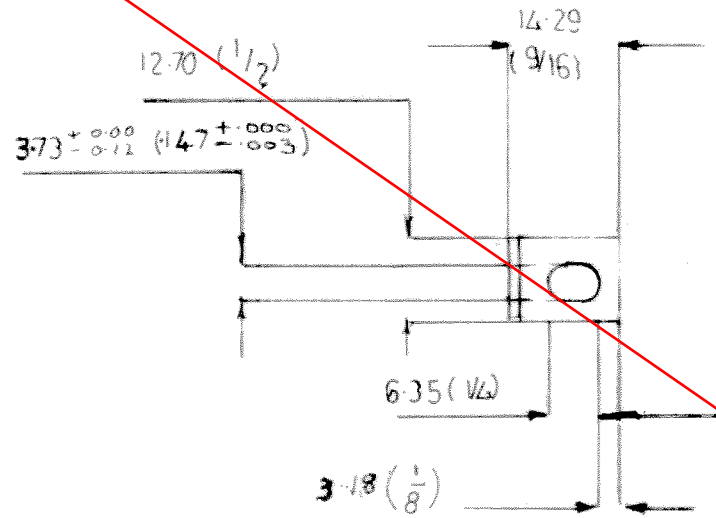
DRAWING NUMBER
R4019-03

THIRD ANGLE PROJECTION

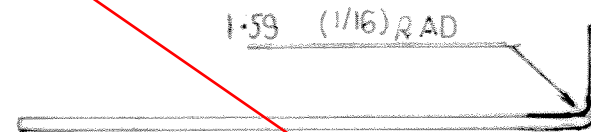
DO NOT SCALE

MACH. No.

CAM No.



OBSOLETE



11	10/3/80	
ISS.	DATE	CHANGE
APPD.	<i>[Signature]</i>	
CHKD.	<i>[Signature]</i>	
DRAWN	S.D.C	
OLD	REF.	
	R 4019	
COMPUTER No.		
ASSY. DRAWING		

DEVELOPED LENGTH 87.63 (3.450) Ref only.

HARWIN ENGINEERS S.A.

FITZHERBERT RD FARLINGTON,

PORTSMOUTH, PO6 1RT

MATERIAL
16 SWG M STEEL

TITLE
MOUNTING BRACKET

FINISH ZINC PLATE

SURFACE AREA mm²

TOLS. X·X ± 0.25 X·XX ± 0.13

DIMS. IN MM(INS) SCALE

DRAWING NUMBER

R4019-03