

Customer Information Sheet

DRAWING No.: R18XXB91

SHEET 2 OF 2

IF IN DOUBT - ASK

©

NOT TO SCALE

THIRD ANGLE PROJECTION

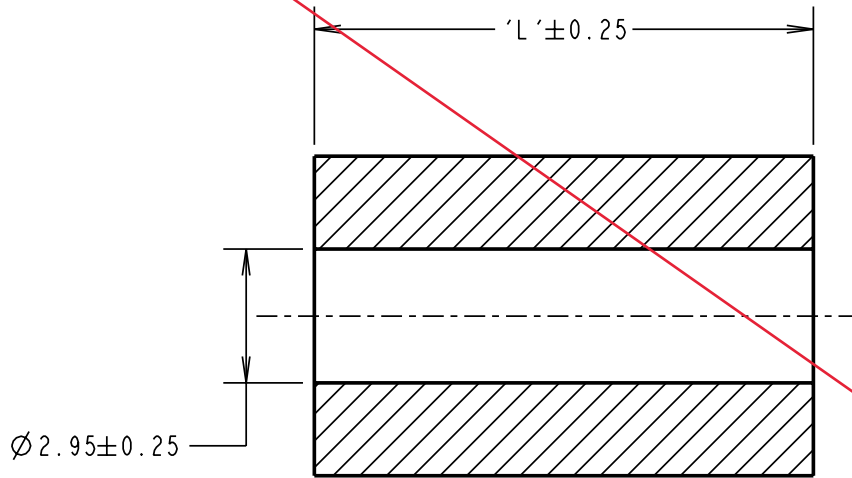
ALL DIMENSIONS IN mm

OBSOLETE

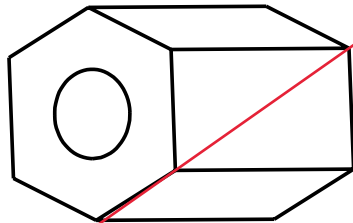
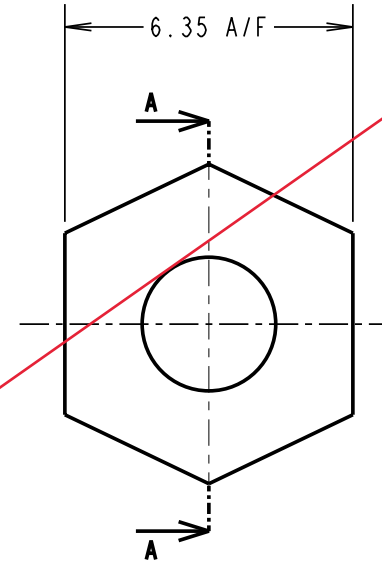
ORDER CODE:

R18XXB91

LENGTH-SEE TABLE



SECTION A-A



- NOTES:
1. TO TAKE Ø3mm SELF TAPPING SCREW.
 2. PACKING: BAG

PART No.	DIM 'L'
R1811B91	8.00
R1812B91	10.00
R1814B91	14.00
R1815B91	16.00
R1817B91	20.00

RA	A	02.10.07	9873
NAME	ISS.	DATE	C/NOTE
APPROVED:		R. ADDE	
CHECKED:		M.G. PLESTED	
DRAWN:		R. ADDE	
CUSTOMER REF.:			
ASSEMBLY DRG:			

HARWIN

HARWIN USA
TEL: 603 893 5376
FAX: 603 893 5396
mis@harwin.com

HARWIN Europe (UK)
TEL: 023 9231 4545
FAX: 023 9231 4590
mis@harwin.co.uk

HARWIN Asia
TEL: +65 6 779 4909
FAX: +65 6 779 3868
mis@harwin.com.sg

THIS DRAWING AND ANY INFORMATION OR DESCRIPTIVE MATTER SET OUT HEREON ARE CONFIDENTIAL AND COPYRIGHT PROPERTY OF THE HARWIN GROUP AND MUST NOT BE DISCLOSED, LOANED, COPIED OR USED FOR MANUFACTURING, TENDERING OR FOR ANY OTHER PURPOSE WITHOUT THEIR WRITTEN PERMISSION.

TOLERANCES
X. = ±1mm
X.X = ±0.25mm
X.XX = ±0.10mm
X.XXX = ±0.01mm
ANGLES = ±5°
UNLESS STATED

MATERIAL:
30% GLASS-FILLED POLYESTER
UL94V-0, BLACK
FINISH: CLEAN
S/AREA: mm²

TITLE:
M3 HEXAGONAL SPACER
DRAWING NUMBER:
R18XXB91

SHT
2 OF 2