

Thursday 30th June, 2022

Dear Customer,

Re: Product Change Notification for Harwin product.

Product in the C90-3106F range has been subject to dimensional changes relating to the supplied rubber bushing.



The following parts are affected:

- C90-3106F10SL-3P
- C90-3106F10SL-4P
- C90-3106F12S-3P
- C90-3106F10SL-3S
- C90-3106F10SL-4S
- C90-3106F12S-3S

This change was actioned during Q4 2021 – no PCN was triggered or released at this time, so you may have already received stock to the new design. The change was to the size of the inner bore of the bushing.

	Inner bore diameter	Supplied Rubber Bushing (also available separately)
Before the change in Q4 2021	6.60mm nominal	C90-3420-5
After the change in Q4 2021	5.60mm nominal	C90-3420-4

If you require the larger bore rubber bushing, please order the C90-3420-5 as a separate component.

If you have any further questions regarding this letter, please do not hesitate to contact us.

Yours faithfully,

The Product Change Team
technical@harwin.com

Customer Information Sheet

DRAWING No.: C90-3420-X

IF IN DOUBT - ASK

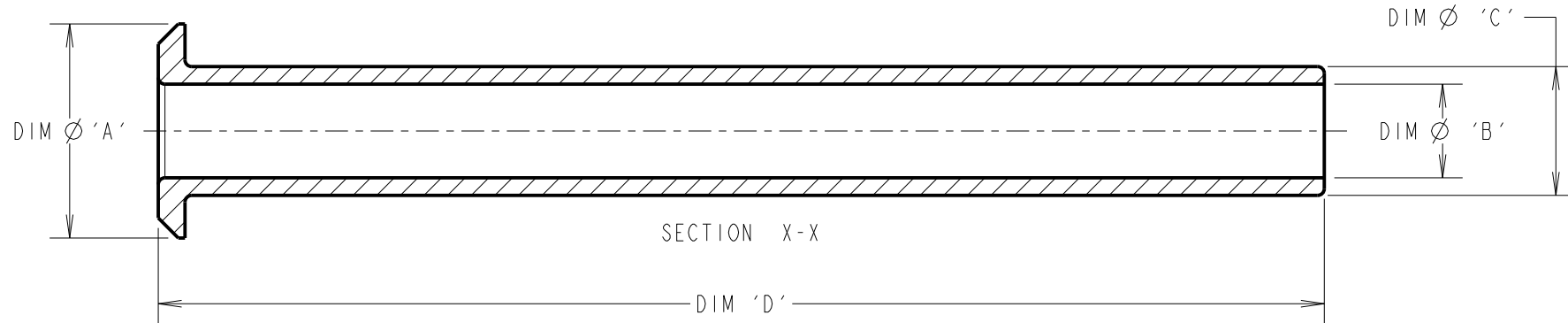
©

NOT TO SCALE

THIRD ANGLE PROJECTION

ALL DIMENSIONS IN mm

FOR INFORMATION ONLY
Correct at time of issue



PART No.	DIM 'A' $\varnothing \pm 0.35$	DIM 'B' $\varnothing \pm 0.40$	DIM 'C' $\varnothing \pm 0.40$	DIM 'D' ± 1.50
C90-3420-4	12.80	5.60	7.70	69.80
C90-3420-5	12.70	6.60	8.00	69.85
C90-3420-6	15.60	7.92	10.85	66.68

MGP	2	29.06.22	31681
NAME	ISS.	DATE	CN/CO
APPROVED: MGP			
CHECKED: MR			
DRAWN:		R. ADDE	
CUSTOMER REF.:			
ASSEMBLY DRG:			

HARWIN

www.harwin.com
technical@harwin.com

THIS DRAWING AND ANY INFORMATION OR DESCRIPTIVE MATTER SET OUT HEREON ARE CONFIDENTIAL AND COPYRIGHT PROPERTY OF THE HARWIN GROUP AND MUST NOT BE DISCLOSED, LOANED, COPIED OR USED FOR MANUFACTURING, TENDERING OR FOR ANY OTHER PURPOSE WITHOUT THEIR WRITTEN PERMISSION.

TOLERANCES
X. = $\pm 1\text{mm}$
X.X = $\pm 0.50\text{mm}$
X.XX = $\pm 0.20\text{mm}$
X.XXX = $\pm 0.01\text{mm}$
ANGLES = $\pm 5^\circ$
UNLESS STATED

MATERIAL:

RUBBER

FINISH:

S/AREA:

mm²

TITLE:

RUBBER BUSHING

DRAWING NUMBER:

C90-3420-X

SHT
2 OF 2

Customer Information Sheet

DRAWING No.: C90-3106FXXSX-XX

IF IN DOUBT - ASK

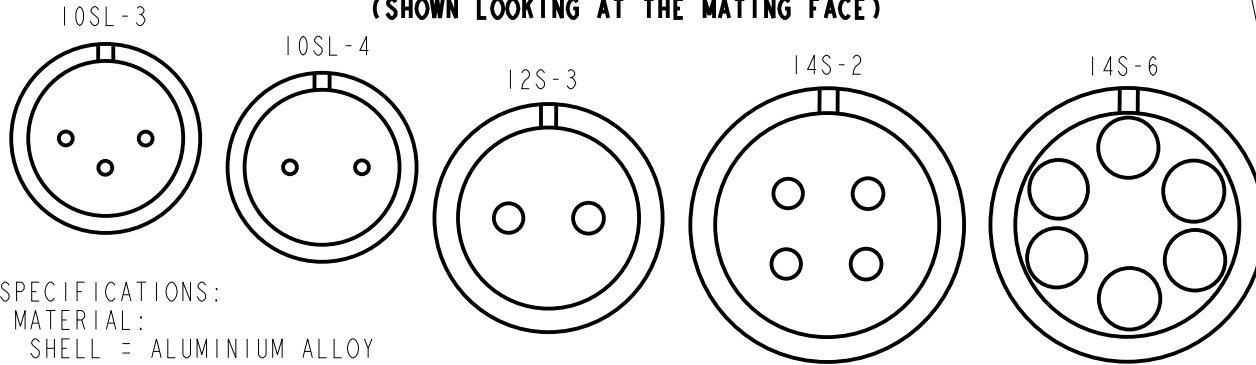
©

NOT TO SCALE

THIRD ANGLE PROJECTION

ALL DIMENSIONS IN mm

CONTACT LAYOUT (SHOWN LOOKING AT THE MATING FACE)

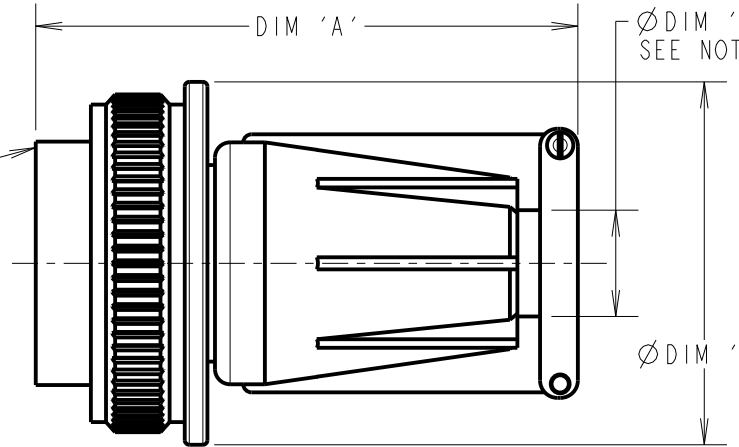


'C' THREAD

DIM 'A'

Ø DIM 'D'
SEE NOTE 4

Ø DIM 'B'



SPECIFICATIONS:

MATERIAL:

SHELL = ALUMINIUM ALLOY
INSULATOR = SYNTHETIC RUBBER
GROMMET = SYNTHETIC RUBBER
CONTACT = COPPER ALLOY

FINISH:

SHELL = ZINC COBALT ALLOY, BLACK
CONTACT = SILVER

ENVIRONMENTAL:

OPERATING TEMPERATURE = -55°C TO +125°C

MECHANICAL:

VIBRATION SENSITIVITY = 10Hz TO 500Hz, 98m/s² (10G)
SHOCK SEVERITY = 490m/s² (50G) FOR 11ms
WATER RESISTANCE (SEALING) = 1.8m FOR 48HRS,
EXCEEDS IP67

ELECTRICAL:

CURRENT RATING = 13A
VOLTAGE RATING:
10SL, 12S SHELL SIZES = 500V AC, 700V DC
14S SHELL SIZE = 200V AC, 250V DC
VOLTAGE PROOF:
10SL & 12S SHELL SIZES = 2,000V AC
14S SHELL SIZES = 1,000V AC
INSULATION RESISTANCE = 5,000MΩ MIN

FOR MECHANICAL/ELECTRICAL REQUIREMENTS,
SEE COMPONENT SPECIFICATION CO45XX (LATEST ISSUE)

ORDER CODE:

C90-3106FXXXX-XX

SHELL SIZE (CONTACT LAYOUT):
10SL-3, 10SL-4, 12S-3, 14S-2
14S-6

CONTACT GENDER:

P - MALE
S - FEMALE

NOTES:

1. PRODUCT IS RoHS COMPLIANT.
2. PRODUCT IS PACKED IN BAGS.
3. RECOMMENDED WIRE SIZE 16-22 AWG.
4. CABLE CLEARANCE.
5. RECOMMENDED WIRE STRIP LENGTH = 7.5mm.
6. RUBBER BUSHING SUPPLIED WITH CONNECTOR
- SEE TABLE FOR APPLICABLE PRODUCT

FOR INFORMATION ONLY
Correct at time of issue

SHELL SIZE	DIM 'A' MAX	Ø DIM 'B'	'C' THREAD	Ø DIM 'D' MAX	RUBBER BUSHING
10SL	58.72	22.04	5/8-24UNEF	7.14	C90-3240-4
12S	58.72	25.40	3/4-20UNEF	7.14	C90-3240-4
14S	58.72	28.30	7/8-20UNEF	10.31	C90-3240-6

MGP	10	29.06.22	31681
NAME	ISS.	DATE	CN/CO
APPROVED: MGP			
CHECKED: MR			
DRAWN:		R. ADDE	
CUSTOMER REF.:			
ASSEMBLY DRG:			

HARWIN

www.harwin.com
technical@harwin.com

THIS DRAWING AND ANY
INFORMATION OR DESCRIPTIVE
MATTER SET OUT HEREON ARE
CONFIDENTIAL AND COPYRIGHT
PROPERTY OF THE HARWIN
GROUP AND MUST NOT BE
DISCLOSED, LOANED, COPIED
OR USED FOR MANUFACTURING,
TENDERING OR FOR ANY
OTHER PURPOSE WITHOUT
THEIR WRITTEN PERMISSION.

TOLERANCES

X. = ±1mm
X.X = ±0.50mm
X.XX = ±0.20mm
X.XXX = ±0.01mm
ANGLES = ±5°
UNLESS STATED

MATERIAL:

SEE ABOVE

FINISH: SEE ABOVE

S/AREA:

mm²

TITLE:

STRAIGHT PLUG

DRAWING NUMBER:

C90-3106FXXSX-XX

SHT
2 OF 2