

Customer Information Sheet

DRAWING No.: P70-7000045

SHEET 2 OF 2

IF IN DOUBT - ASK

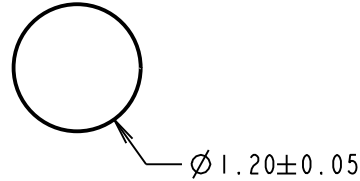
©

NOT TO SCALE

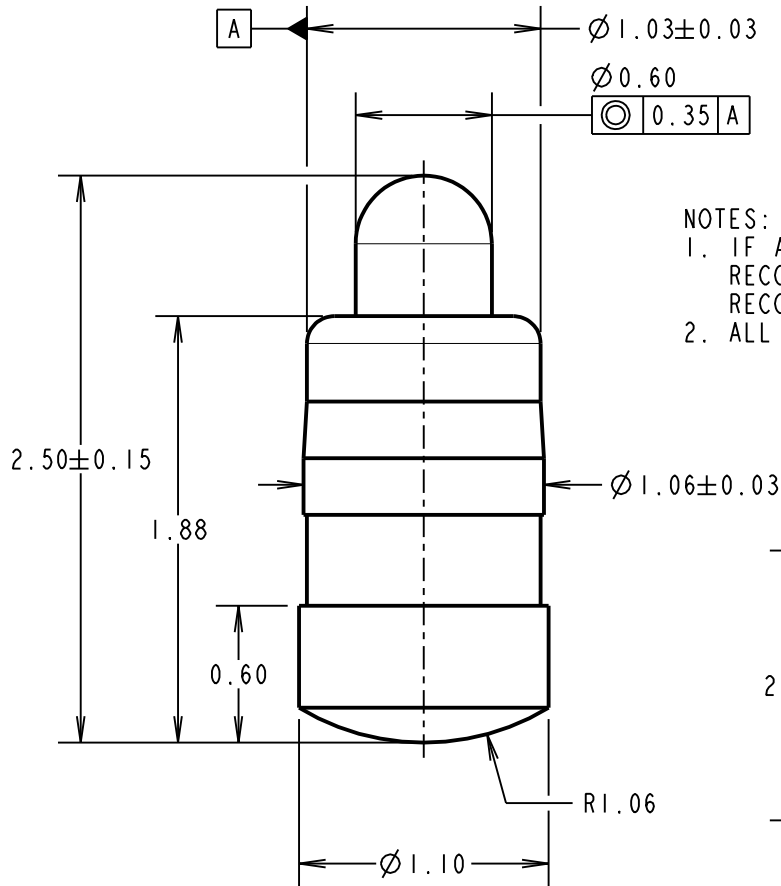
THIRD ANGLE PROJECTION

ALL DIMENSIONS IN mm

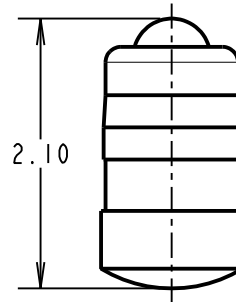
RECOMMENDED PCB
PAD LAYOUT



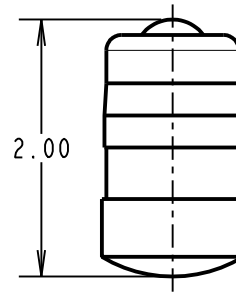
SPECIFICATION:
MATERIAL:
 BODY & PLUNGER = BRASS
 SPRING = STAINLESS STEEL WIRE
PLATING:
 BODY = $0.1 \mu\text{m}$ GOLD OVER $1.4 \mu\text{m}$ NICKEL
 PLUNGER = $0.4 \mu\text{m}$ GOLD OVER $1.4 \mu\text{m}$ NICKEL
ELECTRICAL:
 CONTACT RESISTANCE = $30\text{m}\Omega$ MAX
 CURRENT RATING = 2.0A
MECHANICAL:
 FORCE AT NORMAL HEIGHT = $0.68\text{N} \pm 0.19\text{N}$
 DURABILITY = 10,000 CYCLES
ENVIRONMENTAL:
 OPERATING TEMPERATURE = -40°C TO 85°C
PACKING:
 BAG



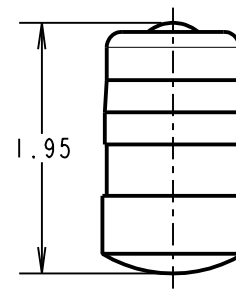
- NOTES:**
- IF ASSEMBLING PIN INTO MOULDING:
 RECOMMENDED HOLE SIZE = $\varnothing 1.00$ MIN.
 RECOMMENDED MATERIAL = GLASS FILLED PA46.
 - ALL PRODUCTS ARE RoHS COMPLIANT.



MAXIMUM WORKING
HEIGHT



NORMAL WORKING
HEIGHT



MINIMUM WORKING
HEIGHT/MAX
ALLOWED TRAVEL

RTP	2	02.07.21	30572
NAME	ISS.	DATE	CN/CO
APPROVED:		R. PORTLOCK	
CHECKED:		M. RUDKIN	
DRAWN:		S. BENNETT	
CUSTOMER REF.:			
ASSEMBLY DRG:			

HARWIN

www.harwin.com
technical@harwin.com

THIS DRAWING AND ANY INFORMATION OR DESCRIPTIVE MATTER SET OUT HEREON ARE CONFIDENTIAL AND COPYRIGHT PROPERTY OF THE HARWIN GROUP AND MUST NOT BE DISCLOSED, LOANED, COPIED OR USED FOR MANUFACTURING, TENDERING OR FOR ANY OTHER PURPOSE WITHOUT THEIR WRITTEN PERMISSION.

TOLERANCES

X. = $\pm 1\text{mm}$
 X.X = $\pm 0.50\text{mm}$
 X.XX = $\pm 0.20\text{mm}$
 X.XXX = $\pm 0.01\text{mm}$
 ANGLES = $\pm 5^\circ$
 UNLESS STATED

MATERIAL:

SEE ABOVE

FINISH: SEE ABOVE

S/AREA: mm²

TITLE:

SMT SPRING LOADED POGO PIN

DRAWING NUMBER:

P70-7000045

SHT
2 OF 2