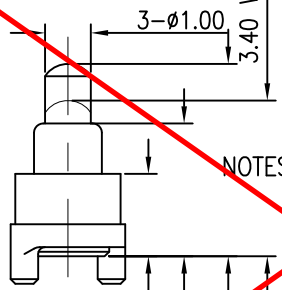
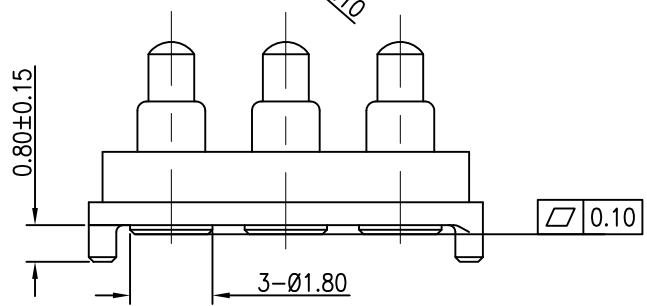
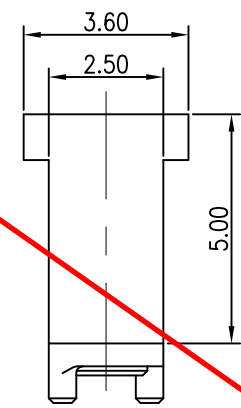
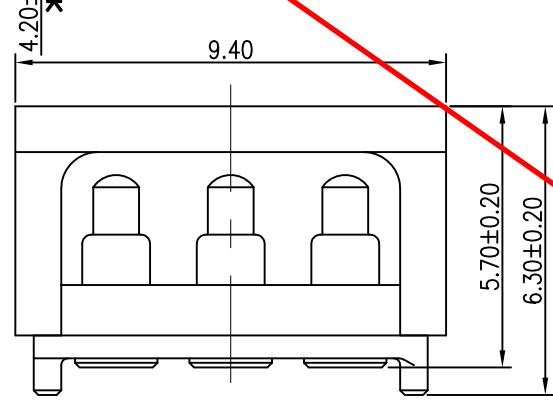
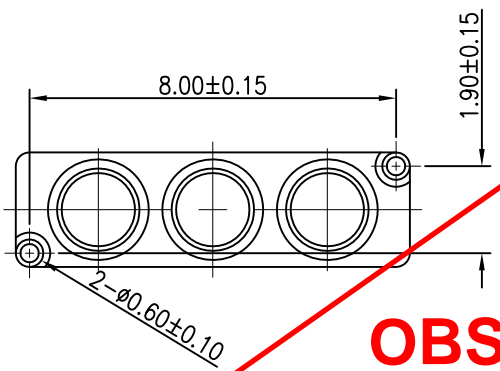


NOTES:

- Materials:
 - .Housing&Cap: Black HTN(UL94V-0)
 - .Plunger: Brass C3604
 - .Barrel: Brass C3604
 - .Spring: SUS304
- Plating:
 - .Contact Surface: 10 micro-inch minimum Au over 50~100 micro-inch Ni.
- Electrical:
 - .Rated Current & Voltage: DC 50V; 1A
 - .Contact Resistance: 50 mohm maximum at Working Height(Quiescence)
- Mechanical:
 - .Spring Force: 120g±20% at Normal Working Height
 - .Durability: 10,000 cycles(minimum)
- When the current is greater than 1A then need to increase the time delay circuit(3 second)
- To ensure the best usage, please operate it based on the working Height.
 - .Based on the Engineering Drawings, shall not exceed the maximum allowed compression.
- .RoHs and HF compliant product.
- .Operation temperature at -40°C to +105°C.



NOTES: ALL DIMENSIONS AND NOTES MARKED * ARE CRITICAL AND MUST BE CHECKED IN ACCORDANCE WITH QUALITY DOC. QI-02A



Leo	4	23.04.14	A427
Leo	3	13.11.13	A419
Allan	2	28.02.08	A113
Allan	1	01.08.06	-
NAME	ISS.	DATE	C/NOTE

APPROVED:	B.Lim
CHECKED:	D.P
DRAWN:	Leo
CUSTOMER REF.:	
ASSEMBLY DRG:	

OBSOLETE



HARWIN USA TEL: 603 893 5376 FAX: 603 893 5396 mis@harwin.com	HARWIN Europe (UK) TEL: 023 9231 4545 FAX: 023 9231 4590 mis@harwin.co.uk	HARWIN Asia TEL: +65 6 779 4909 FAX: +65 6 779 3868 mis@harwin.com.sg
--	--	--

THIS DRAWING AND ANY INFORMATION OR DESCRIPTIVE MATTER SET OUT HEREON ARE CONFIDENTIAL AND COPYRIGHT PROPERTY OF THE HARWIN GROUP AND MUST NOT BE DISCLOSED, LOANED, COPIED OR USED FOR MANUFACTURING, TENDERING OR FOR ANY OTHER PURPOSE WITHOUT THEIR WRITTEN PERMISSION.

TOLERANCES
 0~6.0 = ±0.05mm
 >6~30 = ±0.10mm
 >30~120 = ±0.15mm
 X. = ±2'
 X.X = ±1'
 X.XX = ±0.5'
 UNLESS STATED

MATERIAL: SEE NOTES
 FINISH: SEE NOTES
 S/AREA: mm?

TITLE: PITCH 2.5mm HEIGHT 4.2mm 3-POS POGO PIN CONNECTOR
 DRAWING NUMBER: P20-0345R
 SHT 1 OF 1