

Customer Information Sheet

DRAWING No.: M90-605XX45

SHEET 2 OF 2

IF IN DOUBT - ASK

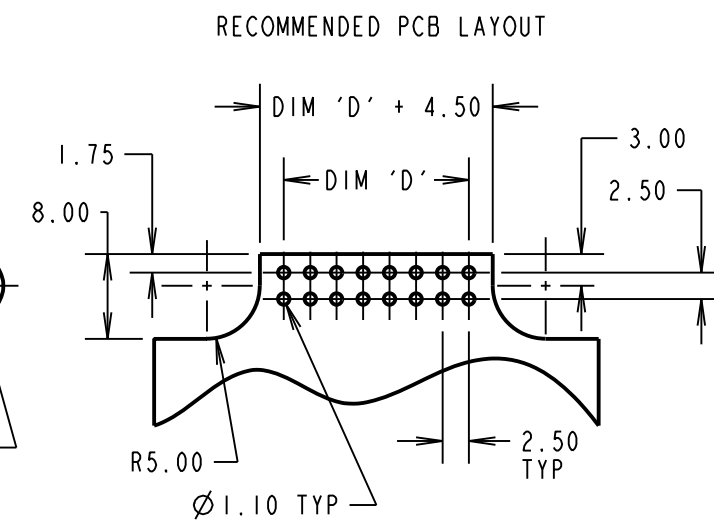
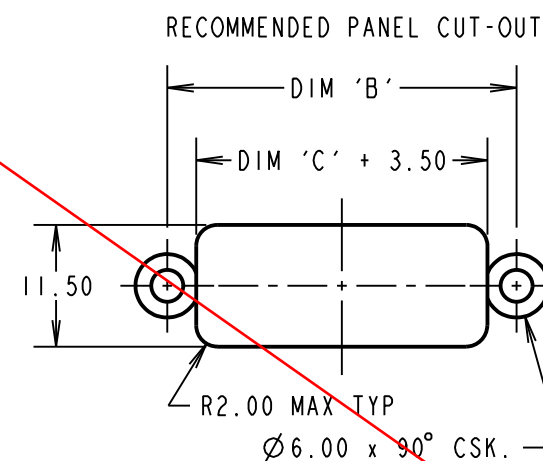
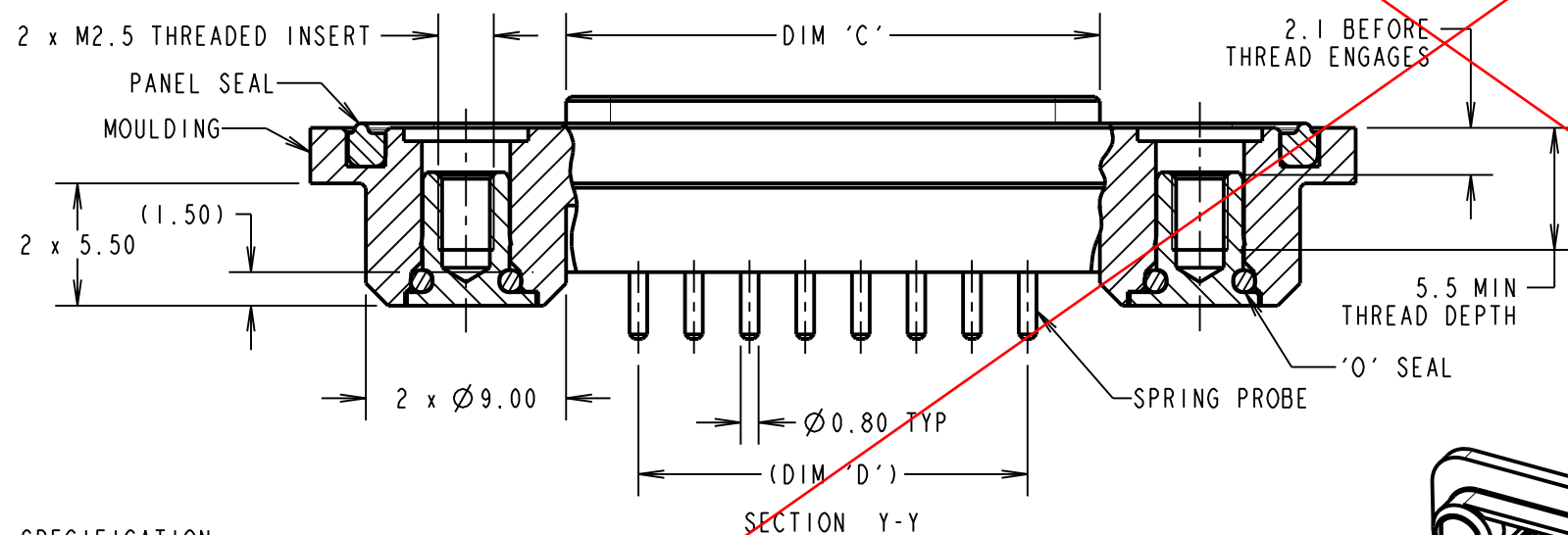
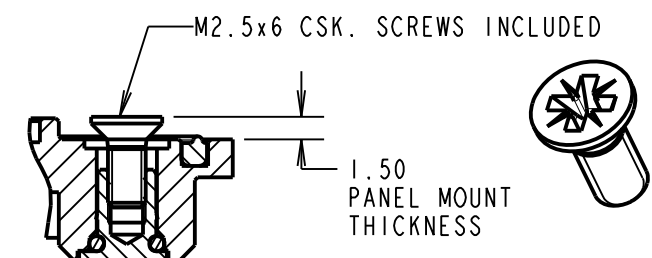
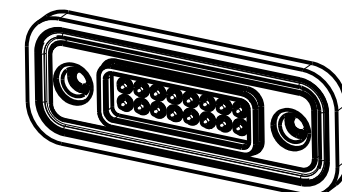
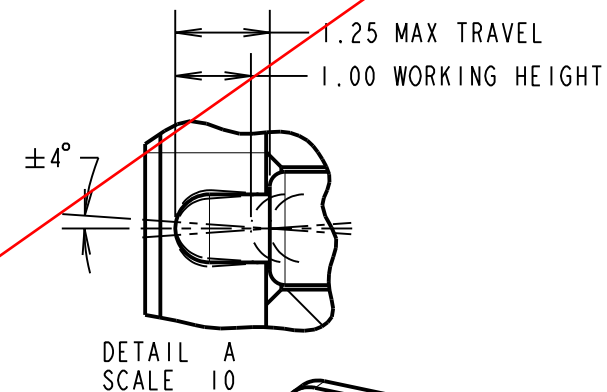
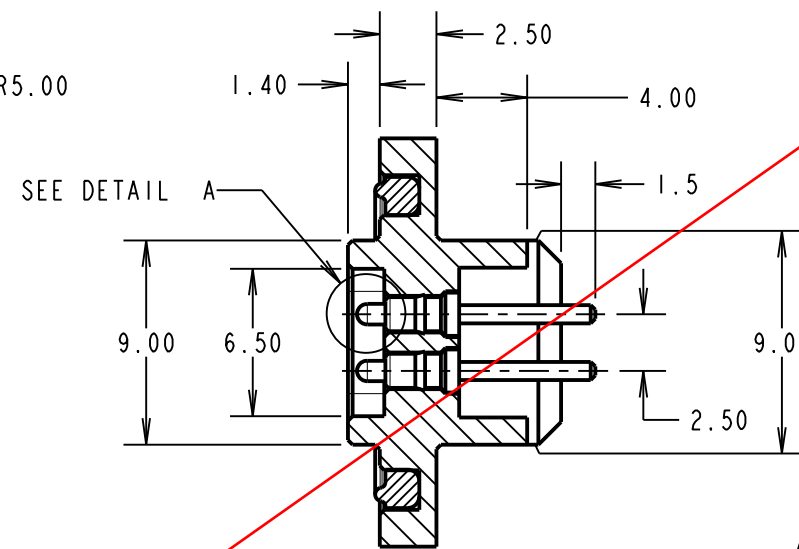
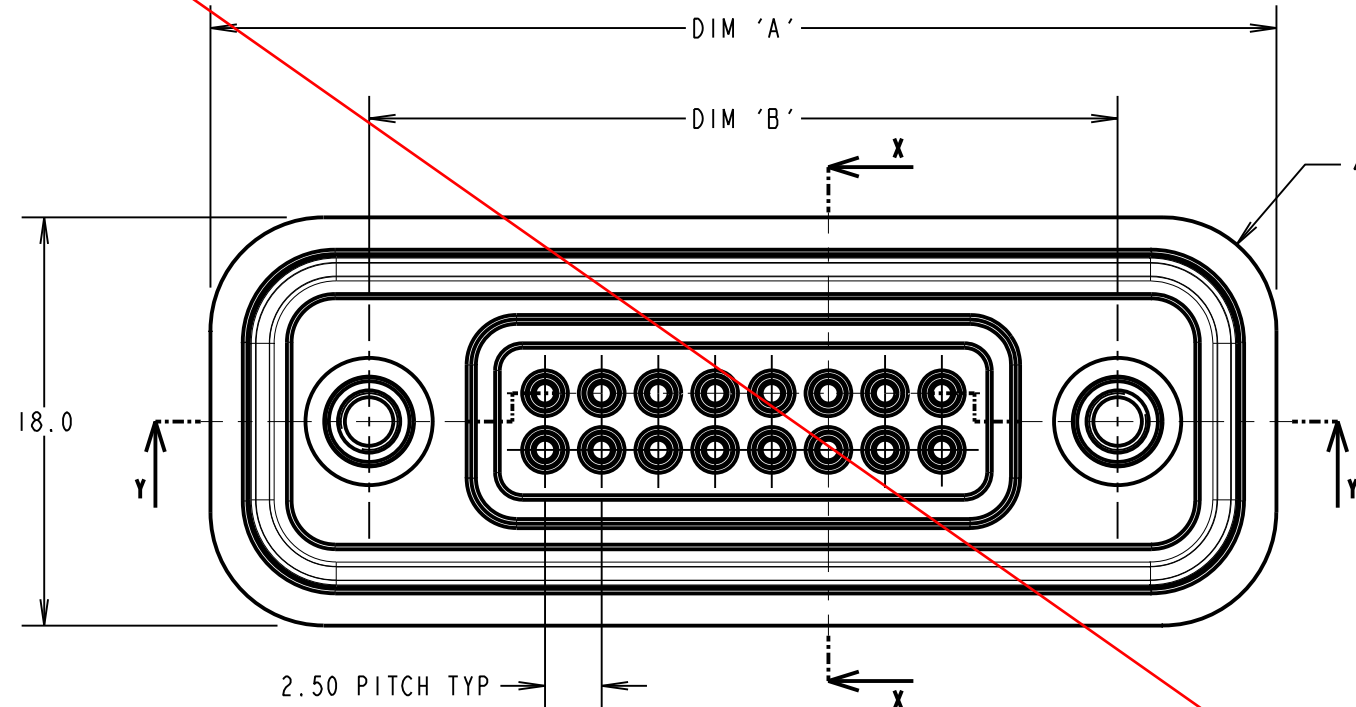
©

NOT TO SCALE

THIRD ANGLE PROJECTION

ALL DIMENSIONS IN mm

OBSOLETE



SPECIFICATION:

MATERIAL:
 PANEL SEAL: BLACK NITRILE, 30 SHORE A
 O-SEAL: NITRILE, 60/70 SHORE A
 MOULDING: 30% GLASS FILLED POLYAMIDE 46
 SPRING PROBE:
 BODY AND PISTON = BRASS
 SPRING = STAINLESS STEEL
 THREADED INSERT AND SCREW: STAINLESS STEEL
FINISH:
 SPRING PROBE: GOLD
ELECTRICAL:
 CURRENT RATING: 1A
 WORKING VOLTAGE: 240V DC
 CONTACT RESISTANCE: 30 MILLIOHMS MAX.
 INSULATION RESISTANCE: 1000 MEGOHMS MIN AT 500V DC
ENVIRONMENTAL:
 OPERATING TEMPERATURE: -40°C - +100°C
 ENVIRONMENTAL SEAL: IP68 AT 1.5M FOR 2 HOURS

NOTES:

- DRAWING SHOWS 16-WAY CONNECTOR.
- RECOMMENDED BULKHEAD MOUNTING THICKNESS: 1.50mm.
- RECOMMENDED MOUNTING SCREWS: M2.5x6 CSK.
- WHEN FULLY MATED WITH FIXED CONNECTOR, MOUNTING FLANGES WILL HAVE A GAP OF 3.5mm ±0.1mm TO ALLOW FOR PANEL THICKNESS.

PART No.	No. OF WAYS	DIMENSION			
		A	B	C	D
M90-6050845	8 WAY	37.0	23.00	14.00	7.50
M90-6051245	12 WAY	42.0	28.00	19.00	12.50
M90-6051645	16 WAY	47.0	33.00	24.00	17.50

MGP	1	26.10.11	11518
NAME	ISS.	DATE	C/NOTE
APPROVED: MGP			
CHECKED: SMC			
DRAWN: MARK G PLESTED			
CUSTOMER REF.:			
ASSEMBLY DRG:			

HARWIN

www.harwin.com
 technical@harwin.com

THIS DRAWING AND ANY INFORMATION OR DESCRIPTIVE MATTER SET OUT HEREON ARE CONFIDENTIAL AND COPYRIGHT PROPERTY OF THE HARWIN GROUP AND MUST NOT BE DISCLOSED, LOANED, COPIED OR USED FOR MANUFACTURING, TENDERING OR FOR ANY OTHER PURPOSE WITHOUT THEIR WRITTEN PERMISSION.

TOLERANCES
 X. = ±1mm
 X.X = ±0.25mm
 X.XX = ±0.10mm
 X.XXX = ±0.01mm
ANGLES = ±5°
 UNLESS STATED

MATERIAL:
 SEE SPECIFICATION
FINISH:
S/AREA: mm²

TITLE: SPRING PROBE ASSEMBLY SHORT TAIL

DRAWING NUMBER:
M90-605XX45

SHT 2 OF 2