

Customer Information Sheet

DRAWING No.: M83-LMT2M2NXX-0000-0000

SHEET 2 OF 2

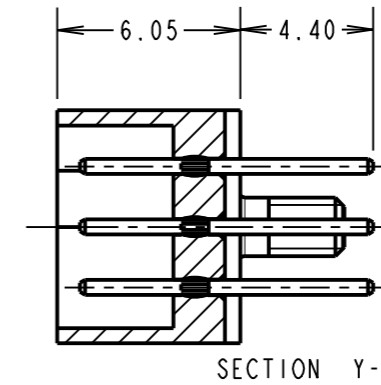
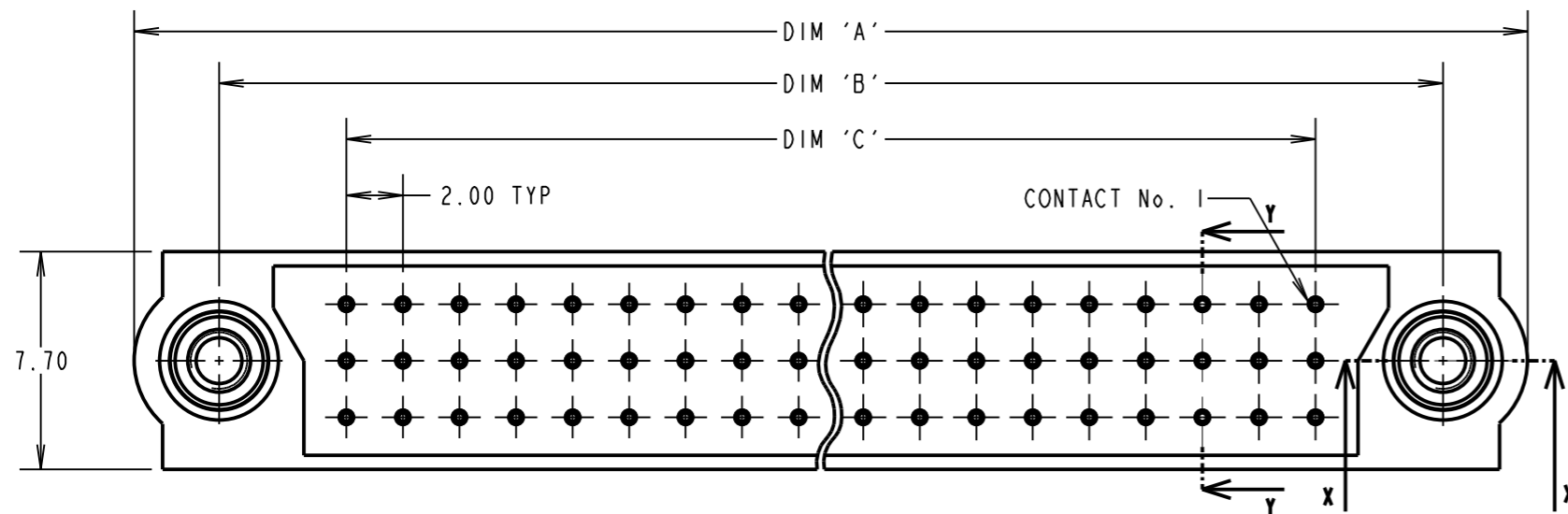
IF IN DOUBT - ASK

©

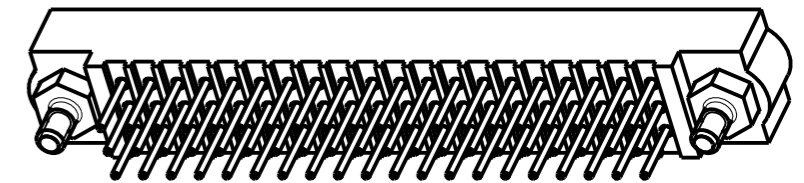
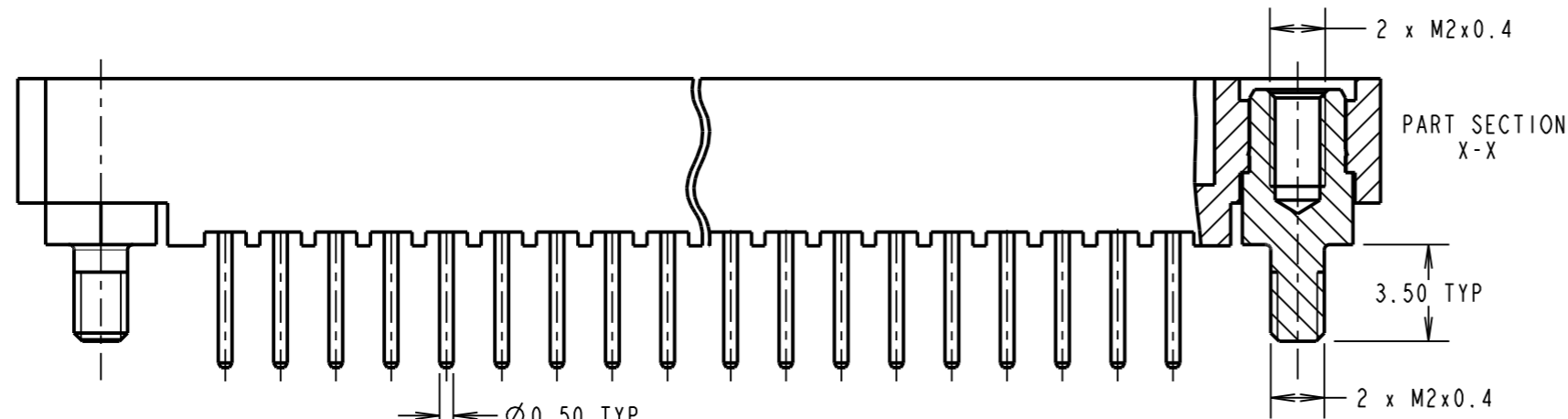
NOT TO SCALE

THIRD ANGLE PROJECTION

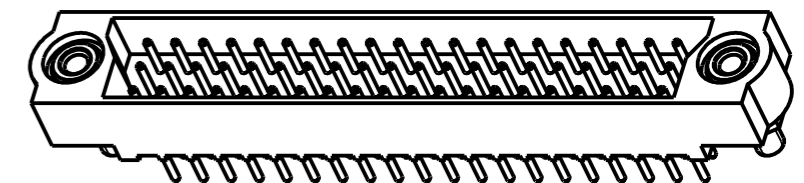
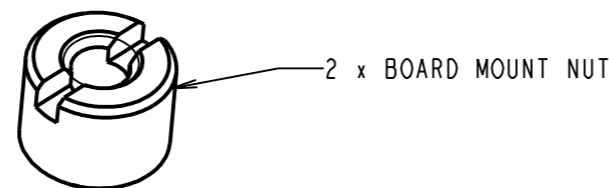
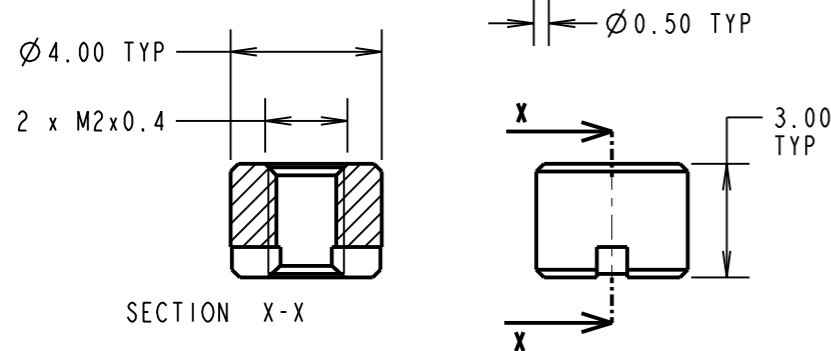
ALL DIMENSIONS IN mm



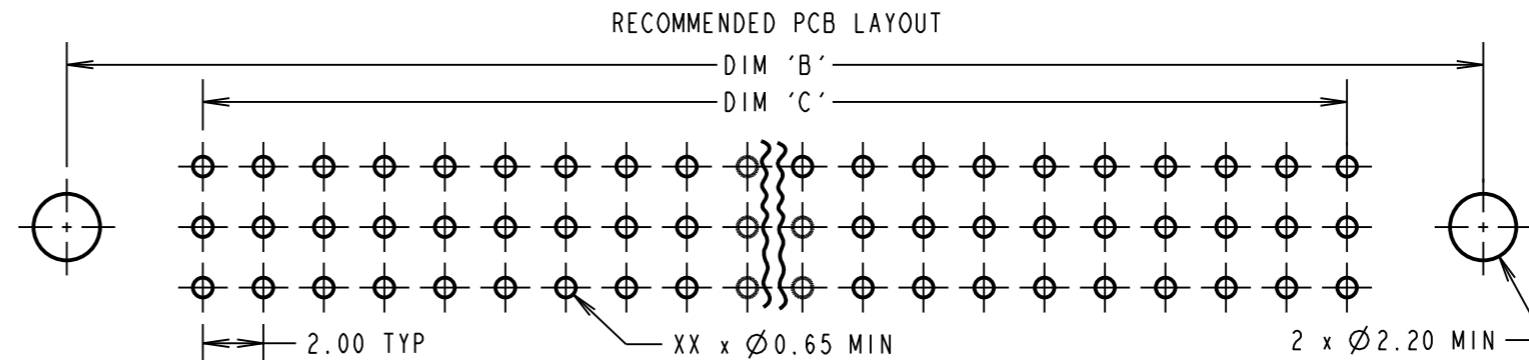
SPECIFICATIONS:
MATERIAL:
 MOULDING = GLASS-FILLED PPS, UL94V-0, BLACK
 JACKSCREW = STAINLESS STEEL
 CONTACT = PHOSPHOR BRONZE
FINISH:
 CONTACT = 0.75µ GOLD
ELECTRICAL:
 CURRENT RATING AT 25°C = 3.0A MAX
 CURRENT RATING AT 85°C = 2.2A MAX
 CONTACT RESISTANCE = 25 mΩ MAX
 WORKING VOLTAGE = 800V AC/DC
 VOLTAGE PROOF = 1200V AC/DC
 INSULATION RESISTANCE = 100 MΩ MIN
MECHANICAL:
 DURABILITY = 500 OPERATIONS
ENVIRONMENTAL:
 TEMPERATURE RANGE = -55°C TO +125°C
PACKING:
 TRAY
 FOR COMPLETE SPECIFICATION, SEE COMPONENT SPECIFICATION C005XX (LATEST ISSUE)



CONNECTORS SHOWN FULLY ASSEMBLED FOR ILLUSTRATION PURPOSES ONLY



ORDER CODE:
M82-LMT2M2NXX-0000-000
 TOTAL No. OF CONTACTS
 18, 27, 36, 54, 60, 63, 72, 96.



MSP	1	24.11.14	12701
NAME	ISS.	DATE	C/NOTE
APPROVED:		M.PERREN	
CHECKED:		M.PLESTED	
DRAWN:		R.ADDE	
CUSTOMER REF.:			
ASSEMBLY DRG:			

DIMENSION	CALCULATION
DIM "A"	((TOTAL No. OF CONTACTS /3) x2) +13
DIM "B"	((TOTAL No. OF CONTACTS /3) x2) +7
DIM "C"	((TOTAL No. OF CONTACTS /3) x2) -2
EXAMPLE: CONNECTOR WITH 27 CONTACTS, M83-LMT2M2N27-0000-000 DIM "A" = 31.00, DIM "B" = 25.00, DIM "C" = 16.00	

HARWIN
 www.harwin.com
 technical@harwin.com

THIS DRAWING AND ANY INFORMATION OR DESCRIPTIVE MATTER SET OUT HEREON ARE CONFIDENTIAL AND COPYRIGHT PROPERTY OF THE HARWIN GROUP AND MUST NOT BE DISCLOSED, LOANED, COPIED OR USED FOR MANUFACTURING, TENDERING OR FOR ANY OTHER PURPOSE WITHOUT THEIR WRITTEN PERMISSION.

TOLERANCES
 X. = ±1mm
 X.X = ±0.50mm
 X.XX = ±0.10mm
 X.XXX = ±0.01mm
 ANGLES = ±5°
 UNLESS STATED

MATERIAL:
 SEE ABOVE
FINISH:
 SEE ABOVE
S/AREA:
 mm²

TITLE:
 JACKSCREW DATAMATE
 3-ROW VERTICAL MALE ASSY
DRAWING NUMBER:
M83-LMT2M2NXX-0000-000
 SHT 2 OF 2