

Customer Information Sheet

DRAWING No.: M83-LFDIFINXX-0000-000

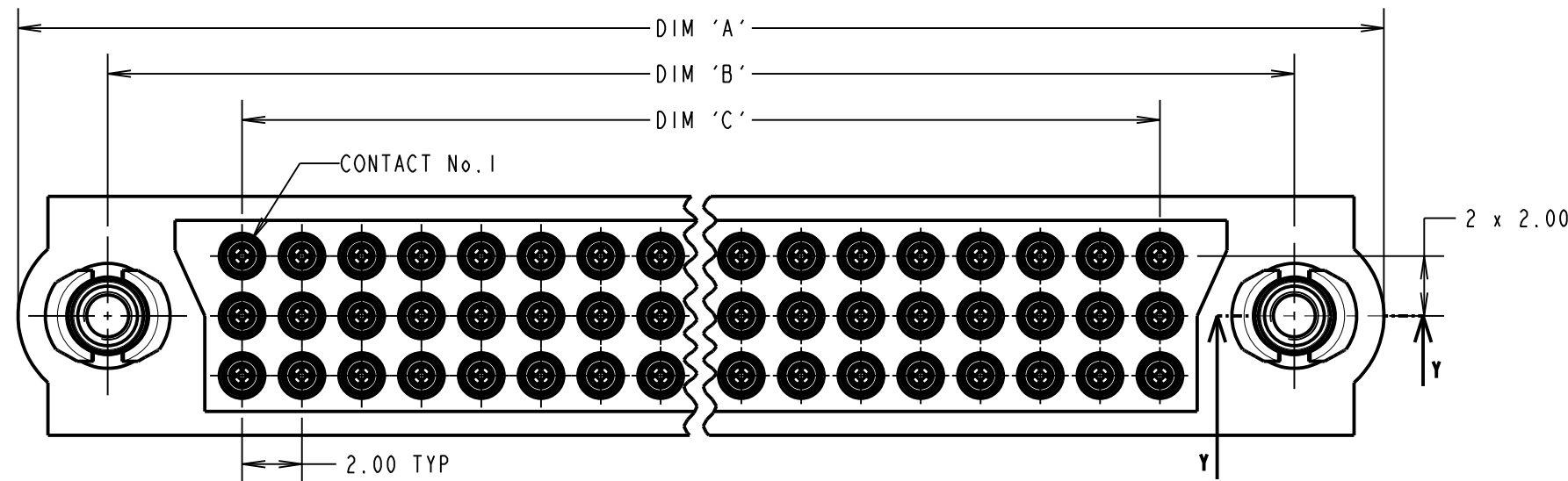
IF IN DOUBT - ASK

©

NOT TO SCALE

THIRD ANGLE PROJECTION

ALL DIMENSIONS IN mm



SPECIFICATIONS:

MATERIAL:
 Moulding = GLASS-FILLED PPS, UL94V-0, BLACK
 JACKSCREW = STAINLESS STEEL
 CONTACT CLIP = BERYLLIUM COPPER
 CONTACT SHELL = BRASS

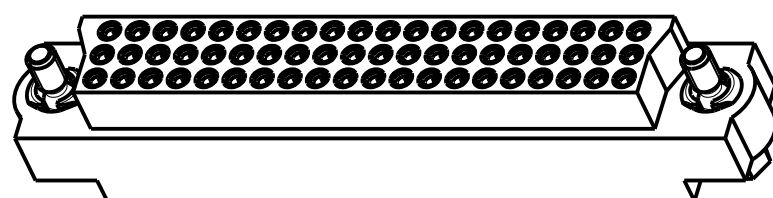
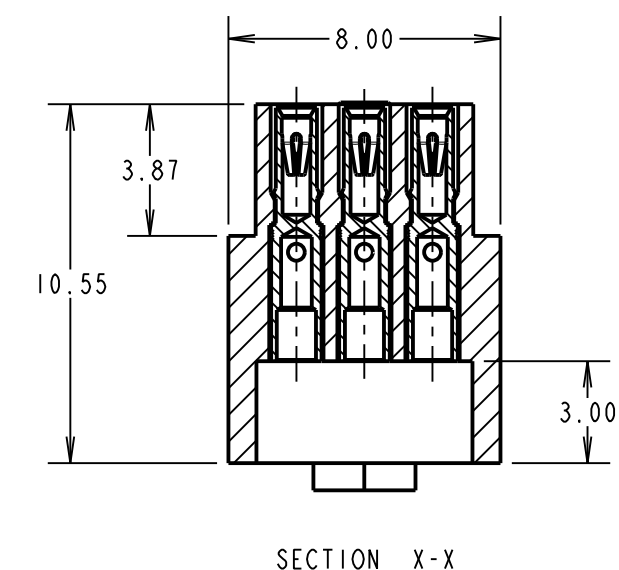
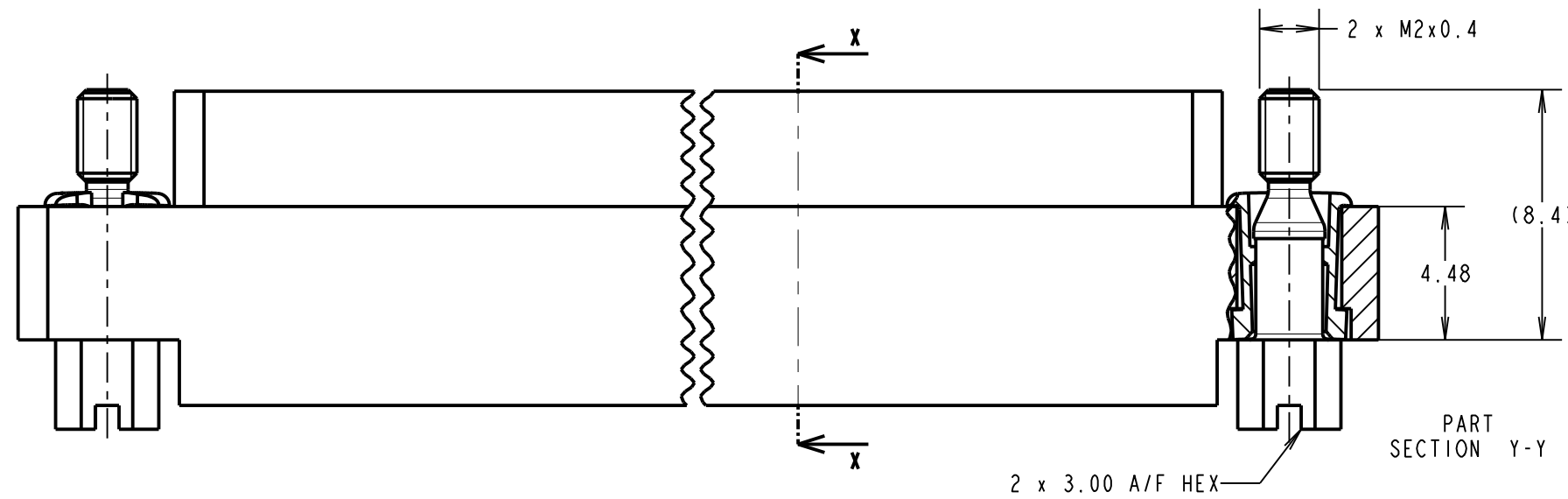
FINISH:
 CONTACT CLIP = 0.3µm GOLD
 CONTACT SHELL = 0.25-0.3µm GOLD

ELECTRICAL:
 CURRENT RATING AT 25°C = 3.0A MAX
 CURRENT RATING AT 85°C = 2.2A MAX
 WORKING VOLTAGE = 800V AC/DC
 VOLTAGE PROOF = 1200V AC/DC
 CONTACT RESISTANCE = 25 mΩ MAX
 INSULATION RESISTANCE = 100 MΩ MIN

MECHANICAL:
 DURABILITY = 500 OPERATIONS
 INSERTION FORCE = 1.0N MAX
 WITHDRAWAL FORCE = 0.2N MIN

ENVIRONMENTAL:
 TEMPERATURE RANGE = -55°C TO +125°C

PACKING:
 TRAY
 FOR COMPLETE SPECIFICATION, SEE COMPONENT SPECIFICATION C005XX (LATEST ISSUE)



ORDER CODE:
M83-LFDIFINXX-0000-000
 TOTAL No. OF CONTACTS
 18, 27, 36, 51, 54, 60, 72, 96

- NOTES:**
- CONNECTORS ARE SUPPLIED WITH CONTACTS LOOSE.
 - FOR EXTRA CONTACTS, USE PART NUMBER M83-0110005.
 - RECOMMENDED WIRE TYPE = BS 3G 210 TYPE A, PTFE INSULATED 22 AWG. MAX INSULATION DIAMETER = Ø1.10mm, STRIP WIRE BY 2.00mm.
 - RECOMMENDED HAND CRIMP TOOL = M22520/2-01 WITH POSITIONER T5747, SEE INSTRUCTION SHEET IS-01 FOR CRIMPING INSTRUCTIONS.
 - CONTACT INSERTION AND EXTRACTION TOOL = Z80-280, SEE INSTRUCTION SHEET IS-25 FOR ASSEMBLY INFORMATION.

MGP	3	17.02.21	22194
NAME	ISS.	DATE	CN/CO
APPROVED: MGP			
CHECKED: RTP			
DRAWN: S. MCCULLAGH			
CUSTOMER REF.:			
ASSEMBLY DRG:			

DIMENSION	CALCULATION
DIM 'A'	((TOTAL No. OF CONTACTS / 3) x 2) + 13.0
DIM 'B'	((TOTAL No. OF CONTACTS / 3) x 2) + 7.00
DIM 'C'	((TOTAL No. OF CONTACTS / 3) x 2) - 2.00
EXAMPLE: CONNECTOR WITH 27 CONTACTS, M83-LFDIFIN27-0000-000 DIM 'A' = 31.0, DIM 'B' = 25.00, DIM 'C' = 16.00	

HARWIN
 www.harwin.com
 technical@harwin.com

THIS DRAWING AND ANY INFORMATION OR DESCRIPTIVE MATTER SET OUT HEREON ARE CONFIDENTIAL AND COPYRIGHT PROPERTY OF THE HARWIN GROUP AND MUST NOT BE DISCLOSED, LOANED, COPIED OR USED FOR MANUFACTURING, TENDERING OR FOR ANY OTHER PURPOSE WITHOUT THEIR WRITTEN PERMISSION.

TOLERANCES
 X. = ±1mm
 X.X = ±0.50mm
 X.XX = ±0.20mm
 X.XXX = ±0.01mm
 ANGLES = ±5°
 UNLESS STATED

MATERIAL:
 SEE ABOVE
FINISH: SEE ABOVE
S/AREA: mm²

TITLE:
 JACKSCREW DATAMATE
 3-ROW CRIMP FEMALE ASSY
DRAWING NUMBER:
M83-LFDIFINXX-0000-000
 SHT 2 OF 2