

Customer Information Sheet

DRAWING No.: M83-FCXXX68F1-XXXXL

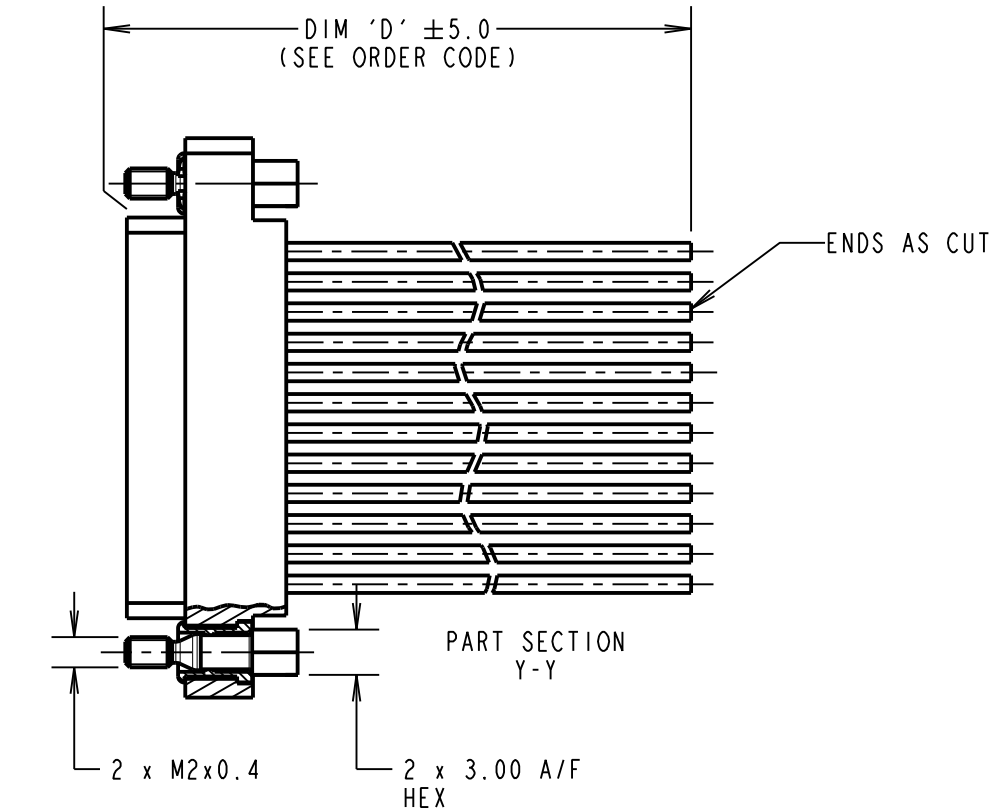
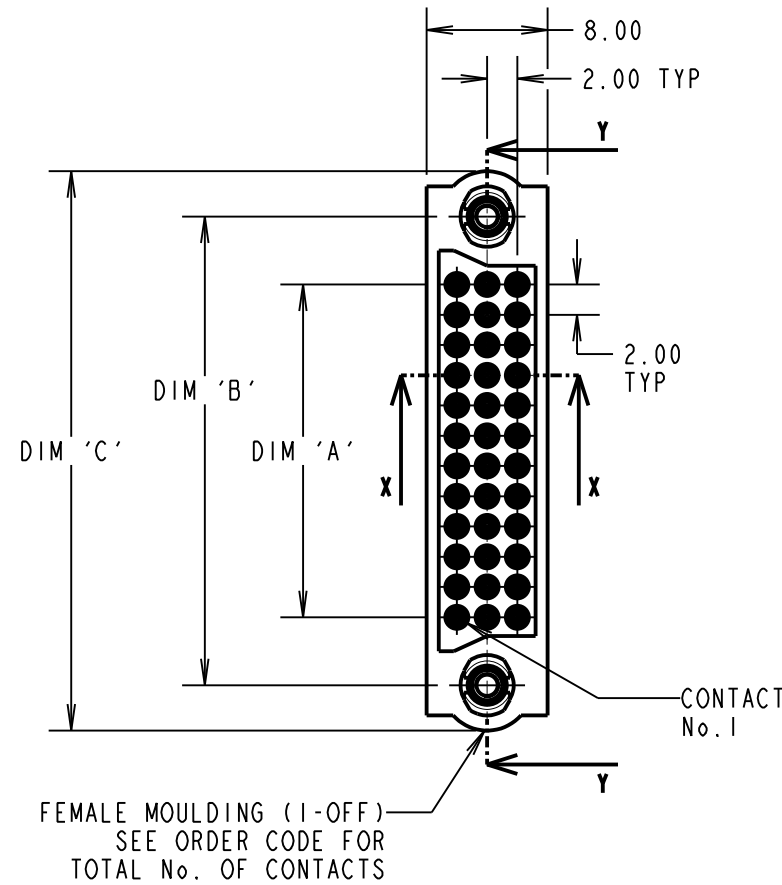
IF IN DOUBT - ASK

©

NOT TO SCALE

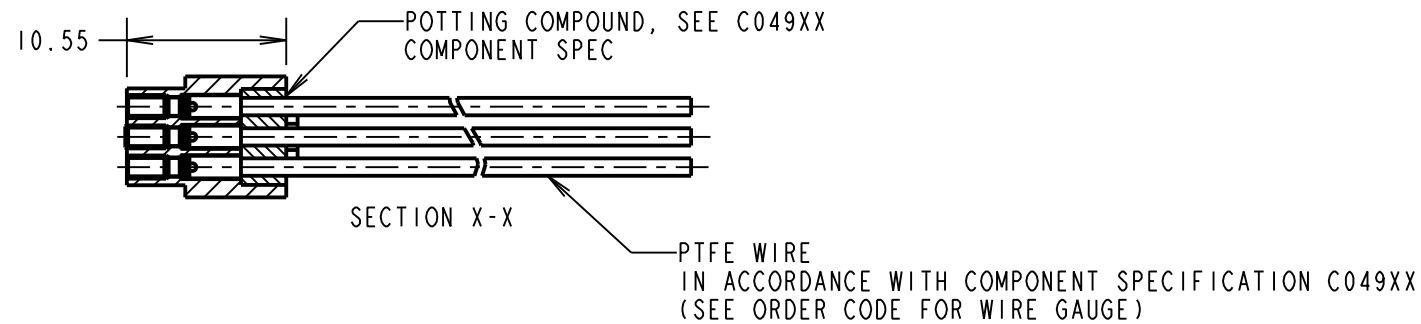
THIRD ANGLE PROJECTION

ALL DIMENSIONS IN mm



CONTACT No.	WIRE COLOUR
1	BLACK
2	BROWN
3	RED
4	ORANGE
5	YELLOW
6	GREEN
7	BLUE
8	VIOLET
9	GREY
10	WHITE

WIRE COLOURS REPEAT IN ABOVE ORDER FOR ASSEMBLIES OVER 10 CONTACTS



- NOTES:
1. FOR COMPLETE SPECIFICATION, SEE COMPONENT SPECIFICATIONS C049XX AND C005XX (LATEST ISSUE).
2. CABLE ASSEMBLIES WILL BE BULK PACKED IN BAGS.

DIMENSION	MEASUREMENT
DIM 'A'	((TOTAL No. OF CONTACTS /3) x2) +13.0
DIM 'B'	((TOTAL No. OF CONTACT /3) x2) +7.0
DIM 'C'	((TOTAL No. OF CONTACTS /3) x2) -2.0

EXAMPLE PART No.
54 CONTACT CONNECTOR WITH 500mm OF 24AWG WIRE =
M80-FC25468F1-0500L
96 CONTACT CONNECTOR WITH 1000mm OF 28AWG WIRE =
M80-FC49668F1-1000L

ORDER CODE: M83-FCXXX68F1-XXXXL

WIRE GAUGE:
1 = 22AWG
2 = 24AWG
3 = 26AWG
4 = 28AWG

DIM 'D' LENGTH:
0060 = 60mm MIN
9999 = 9999mm MAX
(SEE TABLE FOR EXAMPLES)

TOTAL No. OF CONTACTS:
18, 27, 36, 54, 60, 72, 96

RTP	1	14.05.20	30035
NAME	ISS.	DATE	CN/CO
APPROVED: R.ALEXANDER			
CHECKED: R.PORTLOCK			
DRAWN: R.ALEXANDER			
CUSTOMER REF.:			
ASSEMBLY DRG:			

HARWIN

www.harwin.com
technical@harwin.com

THIS DRAWING AND ANY INFORMATION OR DESCRIPTIVE MATTER SET OUT HEREON ARE CONFIDENTIAL AND COPYRIGHT PROPERTY OF THE HARWIN GROUP AND MUST NOT BE DISCLOSED, LOANED, COPIED OR USED FOR MANUFACTURING, TENDERING OR FOR ANY OTHER PURPOSE WITHOUT THEIR WRITTEN PERMISSION.

TOLERANCES
X. = ±1mm
X.X = ±0.50mm
X.XX = ±0.20mm
X.XXX = ±0.01mm
ANGLES = ±5°
UNLESS STATED

MATERIAL:
SEE ABOVE
FINISH: SEE ABOVE
S/AREA: mm²

TITLE:
JACKSCREW DATAMATE 3-ROW
CABLE ASSEMBLY

DRAWING NUMBER:
M83-FCXXX68F1-XXXXL

SHT
2 OF 2