

Customer Information Sheet

DRAWING No.: M80-PM1 TO M80-PM2

IF IN DOUBT - ASK



NOT TO SCALE

THIRD ANGLE PROJECTION

ALL DIMENSIONS IN mm

SPECIFICATIONS:

MATERIALS:

BODY = COPPER ALLOY

FINISH:

BODY = 0.76µm MIN GOLD OVER NICKEL

ELECTRICAL:

CONTACT RESISTANCE = 6mΩ MAX

CURRENT RATING = 40A

MECHANICAL:

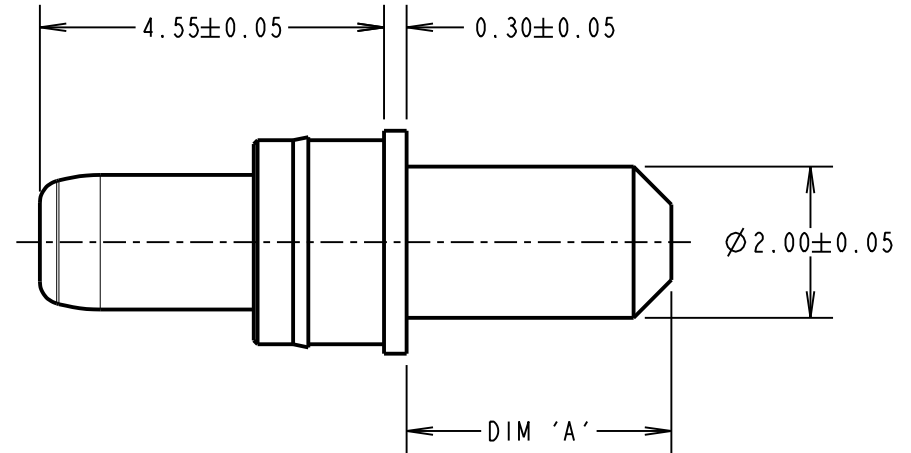
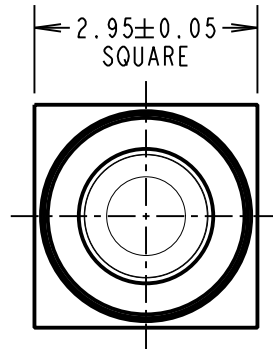
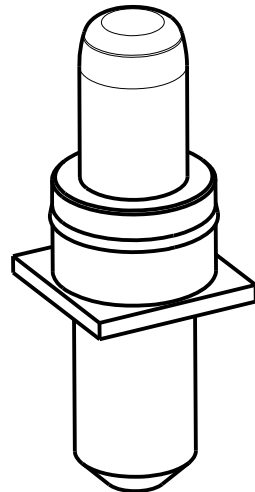
DURABILITY = 500 OPERATIONS

INSERTION FORCE = 15N MAX

WITHDRAWAL FORCE = 0.5N MIN

ENVIRONMENTAL:

TEMPERATURE RANGE = -55°C TO +150°C



NOTES:

1. RECOMMENDED PCB HOLE SIZE = $\varnothing 2.15 \pm 0.05$ mm.
2. FOR ALL OTHER ELECTRICAL/ MECHANICAL REQUIREMENTS, SEE COMPONENT SPECIFICATION C005XX (LATEST ISSUE).

PART No.	DIM 'A'
M80-PM1	3.50
M80-PM2	5.00

MGP	4	07.09.20	30168
NAME	ISS.	DATE	CN/CO
APPROVED: MGP			
CHECKED: RA			
DRAWN: MARK G PLESTED			
CUSTOMER REF.:			
ASSEMBLY DRG:			

HARWIN

www.harwin.com
technical@harwin.com

THIS DRAWING AND ANY INFORMATION OR DESCRIPTIVE MATTER SET OUT HEREON ARE CONFIDENTIAL AND COPYRIGHT PROPERTY OF THE HARWIN GROUP AND MUST NOT BE DISCLOSED, LOANED, COPIED OR USED FOR MANUFACTURING, TENDERING OR FOR ANY OTHER PURPOSE WITHOUT THEIR WRITTEN PERMISSION.

TOLERANCES
 X. = ±1mm
 X.X = ±0.50mm
 X.XX = ±0.20mm
 X.XXX = ±0.01mm
 ANGLES = ±5°
 UNLESS STATED

MATERIAL:
SEE ABOVE
FINISH: SEE ABOVE
S/AREA: mm²

TITLE: DATAMATE MIX-TEK
HIGH POWER CONTACT
MALE VERTICAL PC-TAIL

DRAWING NUMBER:
M80-PM1 TO M80-PM2

SHT
2 OF 2