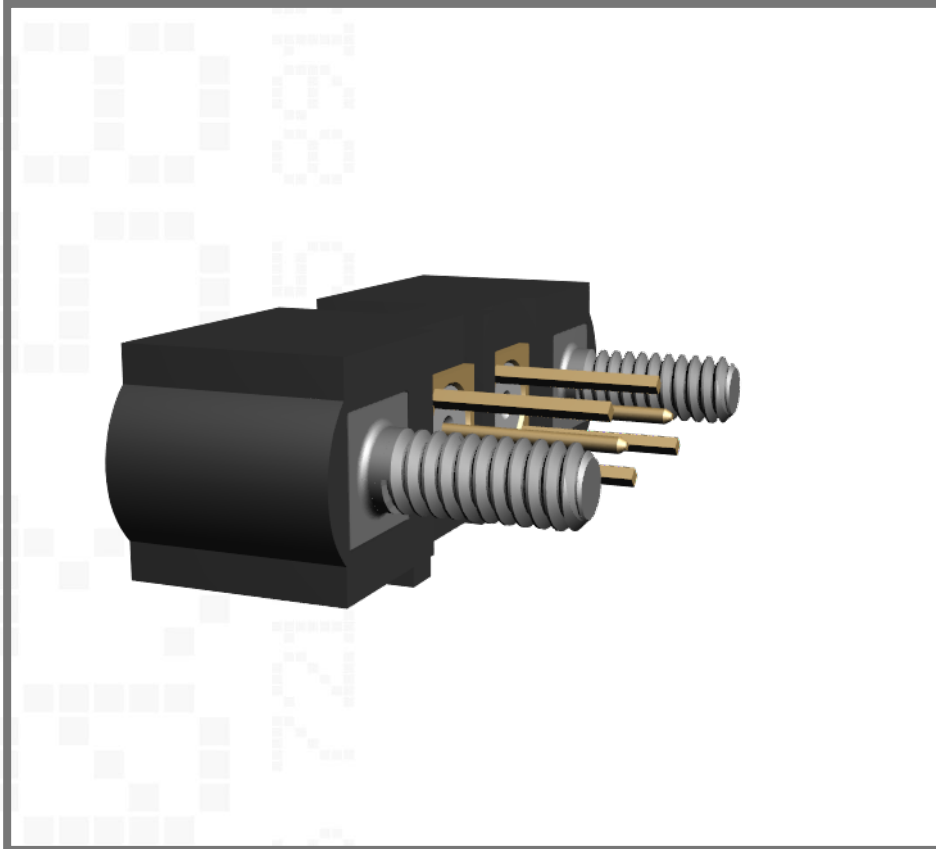


M80-MV312M3-02

Datamate Coax SIL Male Vertical PC Tail Connector, 4mm pitch



Technical Drawing:

[M80-MV312M3-XX.pdf](#)

Website

[M80-MV312M3-02](#)

Component Specification:

[C005XX](#)

[Request an evaluation sample](#)

Single row, Board Mount Jackscrews, 4.5mm tail, Gold finish, 2 contacts