

Customer Information Sheet

DRAWING No.: M80-MCXXXMI-XX-XXXXL

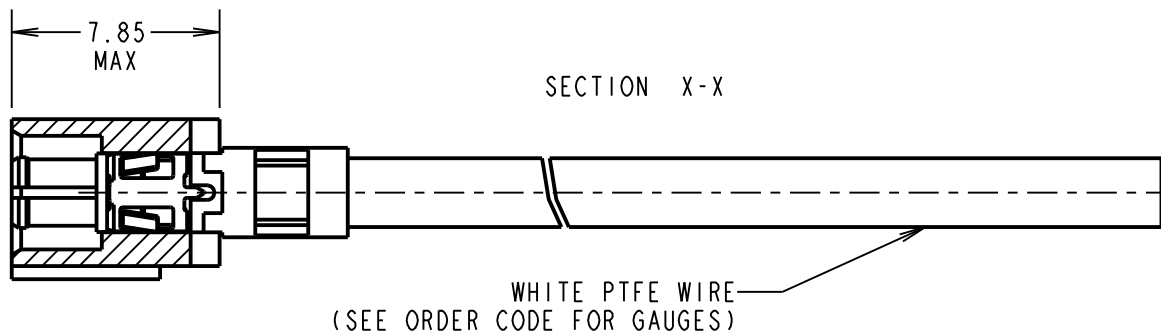
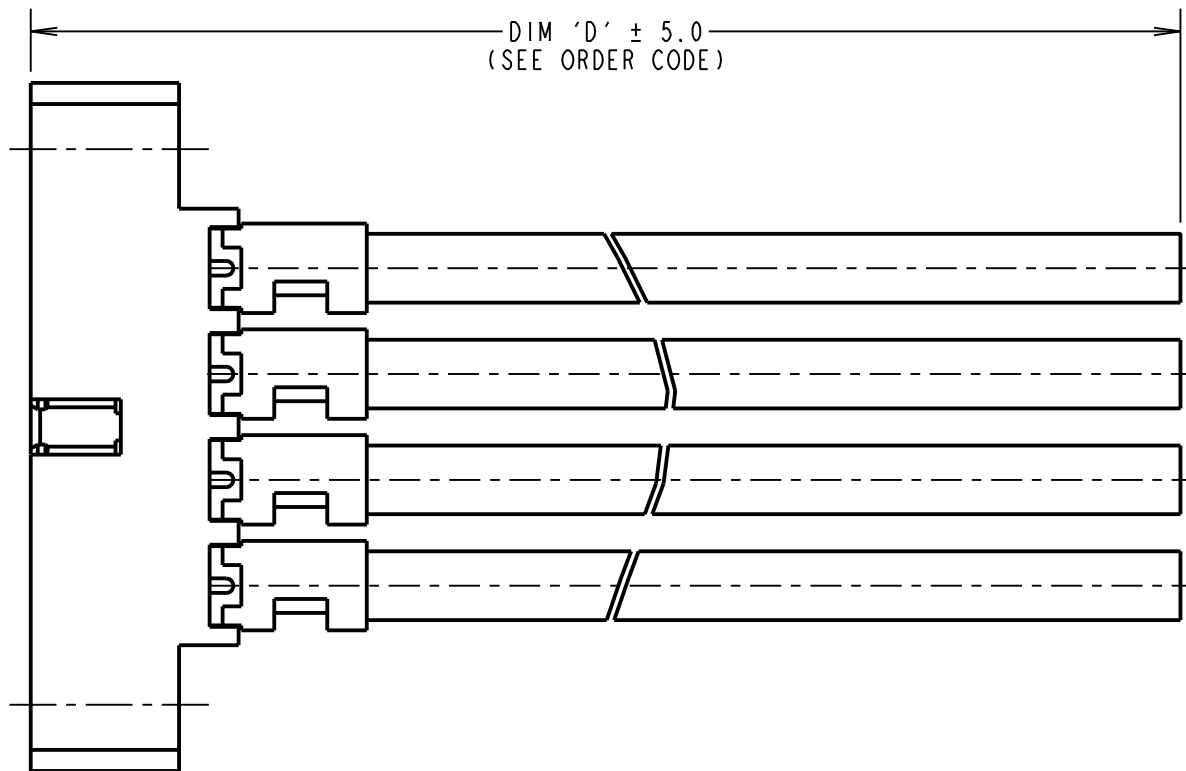
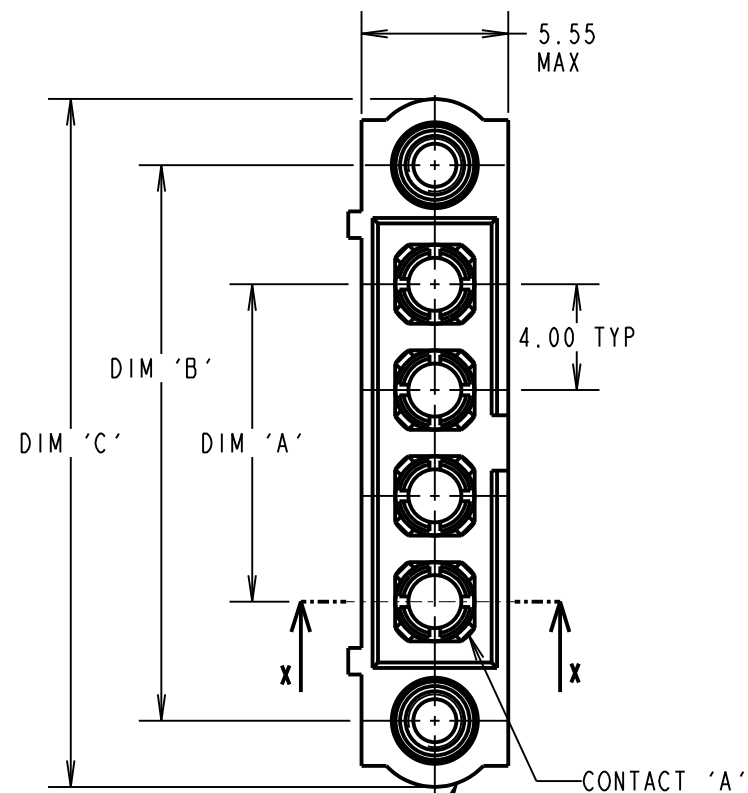
IF IN DOUBT - ASK

©

NOT TO SCALE

THIRD ANGLE PROJECTION

ALL DIMENSIONS IN mm



SOLDERED CONTACTS

CRIMPED CONTACTS

MALE MOULDING (1-OFF):
SEE ORDER CODE FOR TOTAL
No. OF CONTACTS

- NOTES:
1. CABLE ASSEMBLIES ARE PACKED IN BAGS OF 10.
2. FOR COMPLETE SPECIFICATION SEE COMPONENT SPECIFICATION
C005XX AND C049XX (LATEST ISSUES).

DIMENSION	MEASUREMENT
DIM 'A'	(4 x No. OF CONTACTS) - 4.00
DIM 'B'	(4 x No. OF CONTACTS) + 5.00
DIM 'C'	(4 x No. OF CONTACTS) +10.0

EXAMPLE PART No. :
2 CONTACT CONNECTOR WITH 300mm OF 20AWG WIRE =
M80-MC339MI-02-0300L
10 CONTACT CONNECTOR WITH 150mm OF 10AWG WIRE =
M80-MCPM5MI-10-0150L

ORDER CODE: M80-MCXXXMI-XX-XXXXL

POWER CONTACT: _____

- 335 = POWER CONTACT SOLDER 12AWG M80-335
- 336 = POWER CONTACT SOLDER 14AWG M80-336
- 337 = POWER CONTACT SOLDER 16AWG M80-337
- 338 = POWER CONTACT CRIMP 18AWG M80-338
- 339 = POWER CONTACT CRIMP 20AWG M80-339
- PM5 = POWER CONTACT SOLDER 10AWG M80-PM5

TOTAL No. OF CONTACTS: _____

42 TO 12

DIM 'D' LENGTH:
0060 = 60mm MIN
9999 = 9999mm MAX
(SEE TABLE FOR EXAMPLES)

STOCKED CABLE LENGTHS:
0150 = 150mm
0300 = 300mm
0450 = 450mm

RTP	2	24.04.19	21886
NAME	ISS.	DATE	C/NOTE
APPROVED: R.PORTLOCK			
CHECKED: S.BENNETT			
DRAWN: F. MCGOWAN			
CUSTOMER REF.:			
ASSEMBLY DRG:			

<p>www.harwin.com technical@harwin.com</p>	<p>THIS DRAWING AND ANY INFORMATION OR DESCRIPTIVE MATTER SET OUT HEREON ARE CONFIDENTIAL AND COPYRIGHT PROPERTY OF THE HARWIN GROUP AND MUST NOT BE DISCLOSED, LOANED, COPIED OR USED FOR MANUFACTURING, TENDERING OR FOR ANY OTHER PURPOSE WITHOUT THEIR WRITTEN PERMISSION.</p>	<p>TOLERANCES</p> <p>X. = ±1mm X.X = ±0.50mm X.XX = ±0.20mm X.XXX = ±0.01mm</p> <p>ANGLES = ±5° UNLESS STATED</p>	<p>MATERIAL: SEE ABOVE</p>	<p>TITLE: DATAMATE POWER MALE SINGLE-ENDED CABLE ASSEMBLY WITH JACKSCREW</p>
			<p>FINISH: SEE ABOVE</p>	
			<p>S/AREA: mm²</p>	<p>SHT 2 OF 2</p>