

# Customer Information Sheet

DRAWING No.: M80-MCXXXMI-XX-XXXXFI

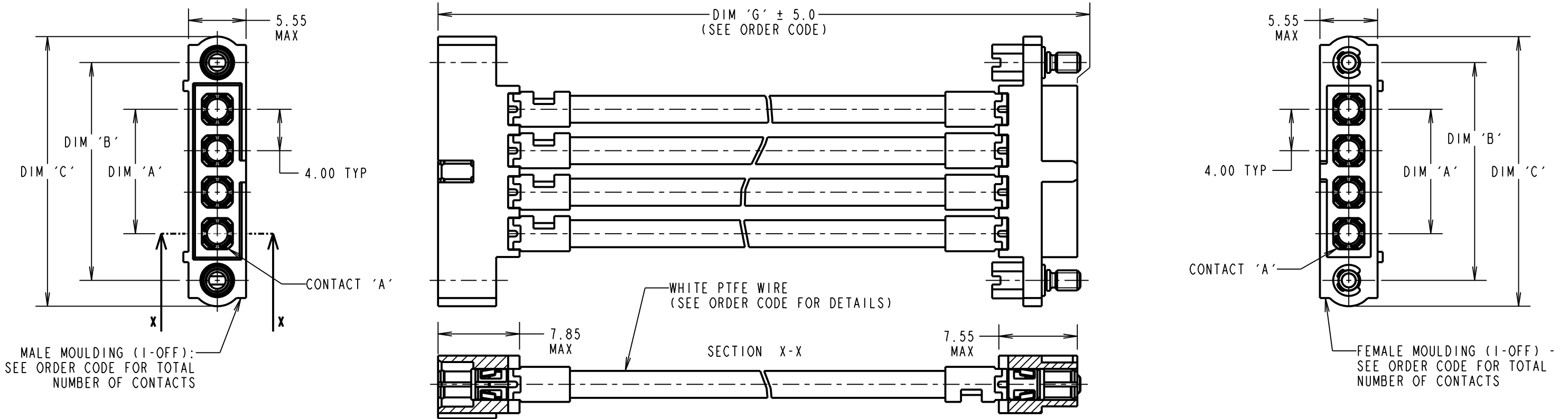
IF IN DOUBT - ASK

©

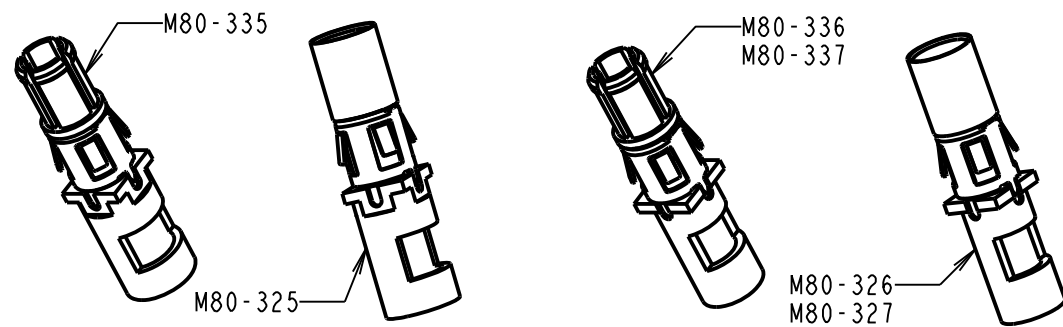
NOT TO SCALE

THIRD ANGLE PROJECTION

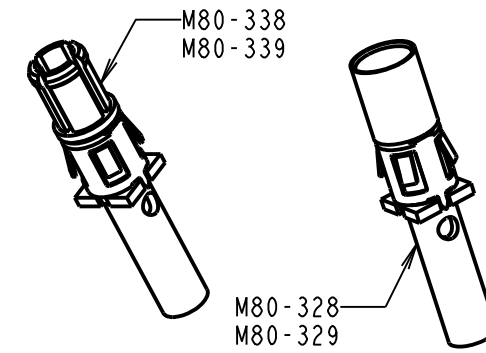
ALL DIMENSIONS IN mm



## SOLDERED CONTACTS



## CRIMPED CONTACTS



DIMENSION	MEASUREMENT
DIM 'A'	(4 x No. OF CONTACTS) - 4.00
DIM 'B'	(4 x No. OF CONTACTS) + 5.00
DIM 'C'	(4 x No. OF CONTACTS) + 10.0

EXAMPLE PART No.:

2 x 2 CONTACT CONNECTORS WITH 300mm OF 16AWG WIRE = M80-MC338MI-02-0300FI

2 x 10 CONTACT CONNECTORS WITH 450mm OF 20AWG WIRE = M80-MC339MI-10-0450FI

## ORDER CODE: M80-MCXXXMI-XX-XXXXFI

POWER CONTACT: \_\_\_\_\_

325/335 = POWER CONTACT SOLDER 12AWG M80-325/M80-335  
 326/336 = POWER CONTACT SOLDER 14AWG M80-326/M80-336  
 327/337 = POWER CONTACT SOLDER 16AWG M80-327/M80-337  
 328/338 = POWER CONTACT CRIMP 18AWG M80-328/M80-338  
 329/339 = POWER CONTACT CRIMP 20AWG M80-329/M80-339  
 PF5/PM5 = POWER CONTACT SOLDER 10AWG M80-PF5/M80-PM5

DIM 'G' LENGTH:  
 0060 = 60mm MIN  
 9999 = 9999mm MAX  
 (SEE TABLE FOR EXAMPLES)

STOCKED CABLE LENGTHS:  
 0150 = 150mm  
 0300 = 300mm  
 0450 = 450mm

TOTAL No. OF CONTACTS: \_\_\_\_\_  
 02 TO 12

RTP	2	24.04.19	21886
NAME	ISS.	DATE	C/NOTE
APPROVED: R.PORTLOCK			
CHECKED: S.BENNETT			
DRAWN: F. MCGOWAN			
CUSTOMER REF.:			
ASSEMBLY DRG:			

NOTES:  
 1. CABLE ASSEMBLIES ARE PACKED IN BAGS OF 10.  
 2. FOR COMPLETE SPECIFICATION SEE COMPONENT SPECIFICATION C005XX AND C049XX (LATEST ISSUES).

# HARWIN

www.harwin.com  
 technical@harwin.com

THIS DRAWING AND ANY INFORMATION OR DESCRIPTIVE MATTER SET OUT HEREON ARE CONFIDENTIAL AND COPYRIGHT PROPERTY OF THE HARWIN GROUP AND MUST NOT BE DISCLOSED, LOANED, COPIED OR USED FOR MANUFACTURING, TENDERING OR FOR ANY OTHER PURPOSE WITHOUT THEIR WRITTEN PERMISSION.

TOLERANCES  
 X. = ±1mm  
 X.X = ±0.50mm  
 X.XX = ±0.20mm  
 X.XXX = ±0.01mm  
 ANGLES = ±5°  
 UNLESS STATED

MATERIAL:  
 SEE ABOVE  
 FINISH: SEE ABOVE  
 S/AREA: mm<sup>2</sup>

TITLE: DATAMATE POWER  
 MALE-TO-FEMALE CABLE ASSEMBLY  
 WITH JACKSCREWS

DRAWING NUMBER:  
**M80-MCXXXMI-XX-XXXXFI**

SHT  
 2  
 OF  
 2