

Customer Information Sheet

DRAWING No.: M80-MCXXX05MB-XXXXMB

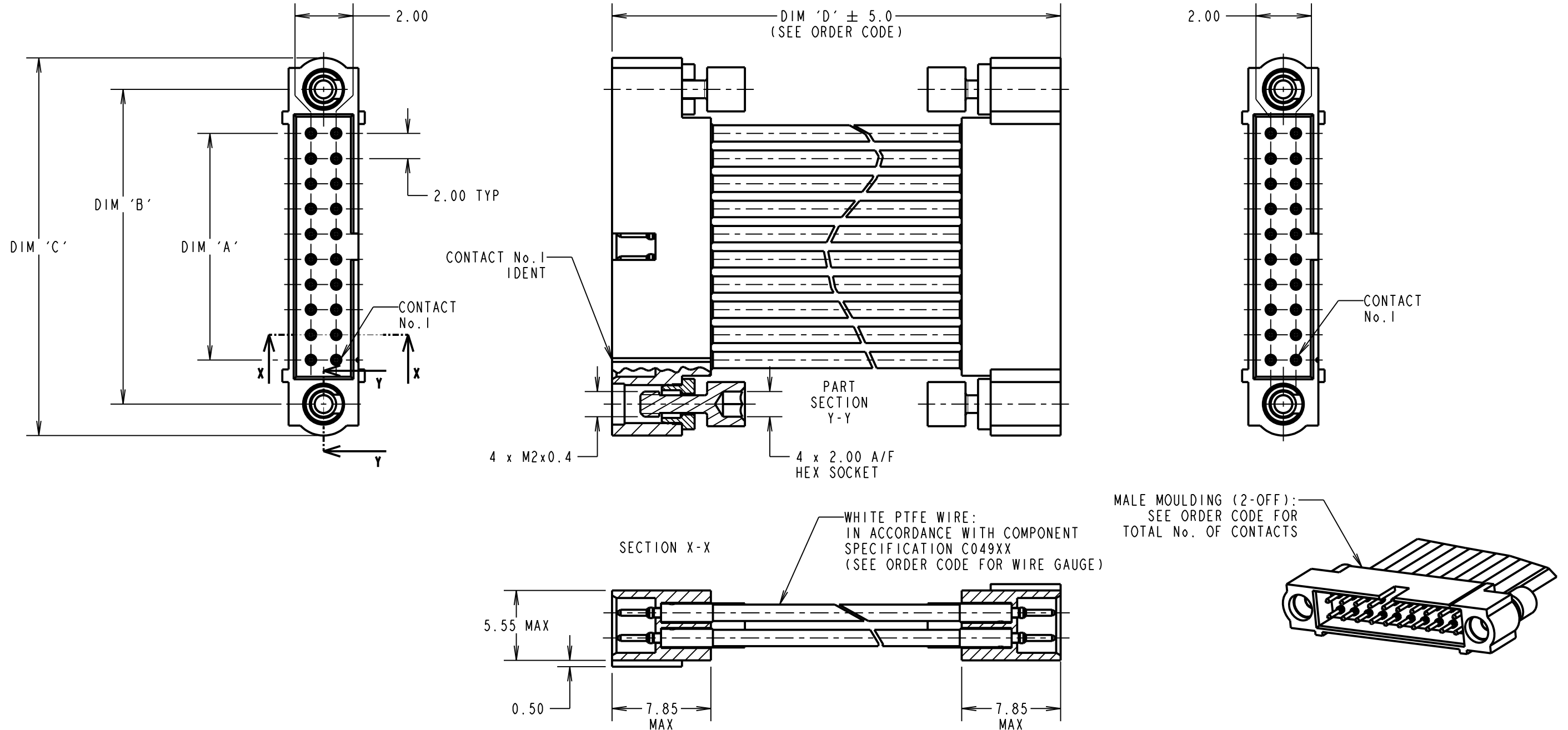
IF IN DOUBT - ASK

©

NOT TO SCALE

THIRD ANGLE PROJECTION

ALL DIMENSIONS IN mm



NOTES:

- CABLE ASSEMBLIES WILL BE BULK PACKED IN BAGS.
- FOR COMPLETE SPECIFICATION, SEE COMPONENT SPECIFICATION C005XX (LATEST ISSUE) AND C049XX (LATEST ISSUE).
- WIRING OF CONNECTOR:
CONTACT 1 TO CONTACT 1,
CONTACT 2 TO CONTACT 2, ETC.

DIMENSION	MEASUREMENT
DIM 'A'	TOTAL No. OF CONTACTS - 2.0
DIM 'B'	TOTAL No. OF CONTACTS + 5.0
DIM 'C'	TOTAL No. OF CONTACTS + 10.0

EXAMPLE PART No.:

- 2 x 10 CONTACT CONNECTOR WITH 150mm OF 22AWG WIRE = M80-MC11005MB-0150MB
- 2 x 50 CONTACT CONNECTOR WITH 150mm OF 24AWG WIRE = M80-MC25005MB-0150MB

ORDER CODE:

M80-MCXXX05MB-XXXXMB

WIRE AWG:

- 1 = 22AWG (LARGE BORE)
- 2 = 24AWG (SMALL BORE)
- 3 = 26AWG (SMALL BORE)
- 4 = 28AWG (SMALL BORE)

TOTAL No. OF CONTACTS:
04 TO 50
(EVEN NUMBERS ONLY)

DIM 'D' LENGTH:
0060 = 60mm MIN
9999 = 9999mm MAX
(SEE TABLE FOR EXAMPLES)

RA	2	01.07.20	30101
NAME	ISS.	DATE	CN/CO
APPROVED: R.ALEXANDER			
CHECKED: R.PORTLOCK			
DRAWN: R.ALEXANDER			
CUSTOMER REF.:			
ASSEMBLY DRG:			

HARWIN

www.harwin.com
technical@harwin.com

THIS DRAWING AND ANY INFORMATION OR DESCRIPTIVE MATTER SET OUT HEREON ARE CONFIDENTIAL AND COPYRIGHT PROPERTY OF THE HARWIN GROUP AND MUST NOT BE DISCLOSED, LOANED, COPIED OR USED FOR MANUFACTURING, TENDERING OR FOR ANY OTHER PURPOSE WITHOUT THEIR WRITTEN PERMISSION.

TOLERANCES

X. = ±1mm
X.X = ±0.50mm
X.XX = ±0.20mm
X.XXX = ±0.01mm
ANGLES = ±5°
UNLESS STATED

MATERIAL:

SEE ABOVE

FINISH:

SEE ABOVE

S/AREA:

mm²

TITLE: M80 MALE CONTACT
DOUBLE-ENDED CABLE ASSEMBLY
W/ REVERSE FIX HEX JACKSCREW

DRAWING NUMBER:

M80-MCXXX05MB-XXXXMB

SHT
2
OF
2