

Customer Information Sheet

DRAWING No.: M80-FXXXX68F2-XXXXL

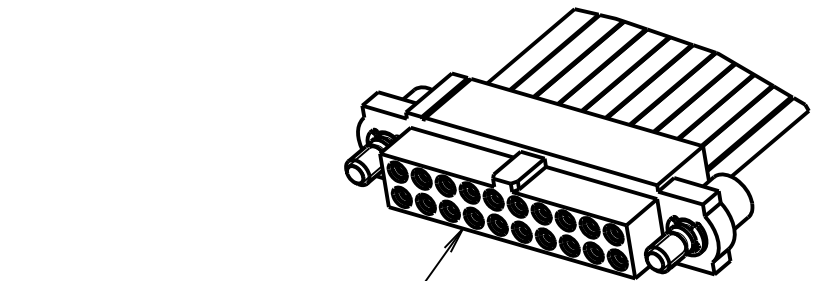
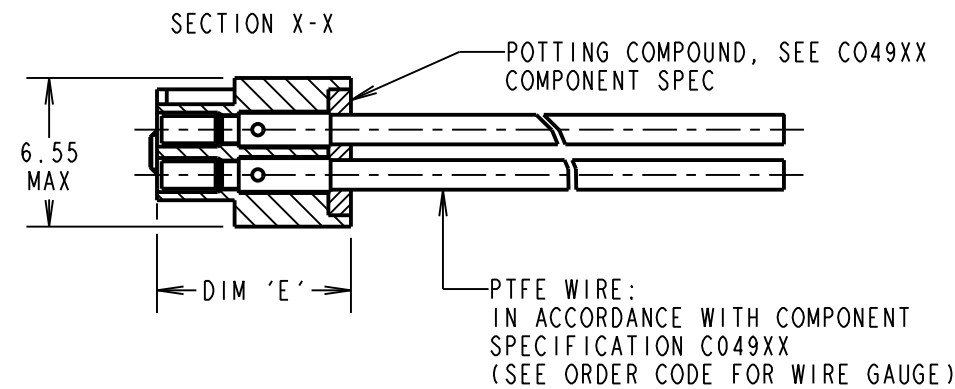
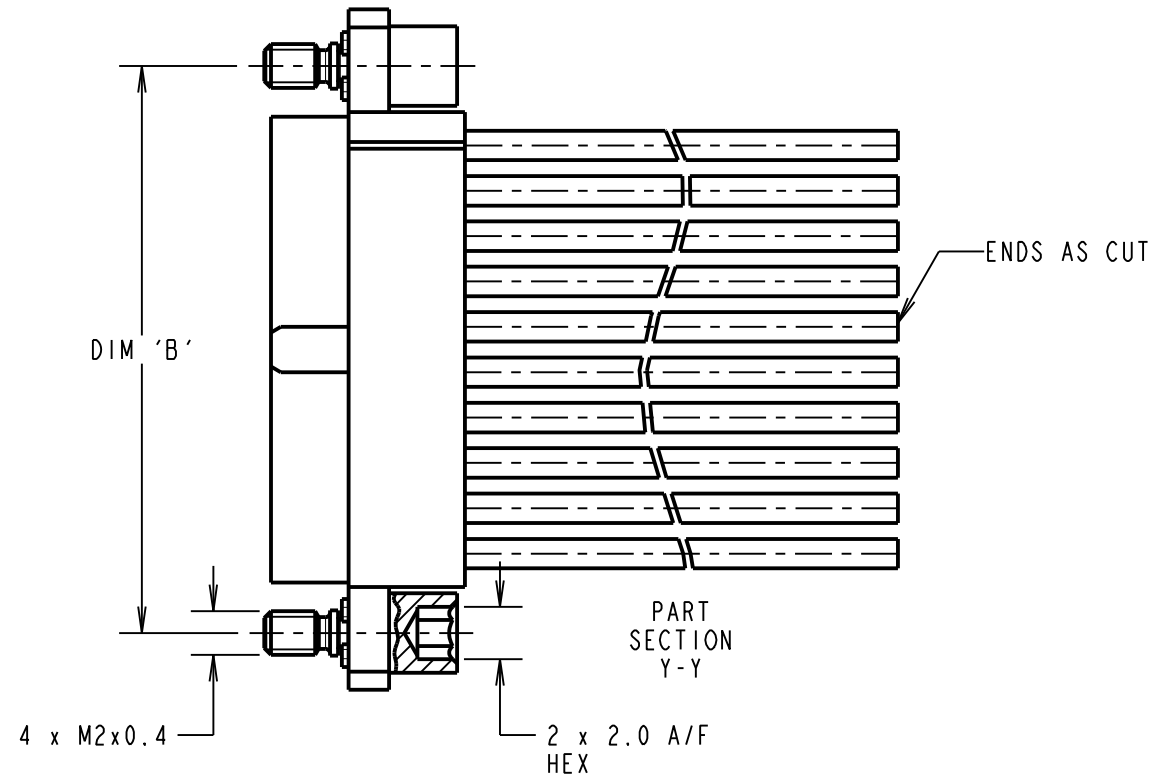
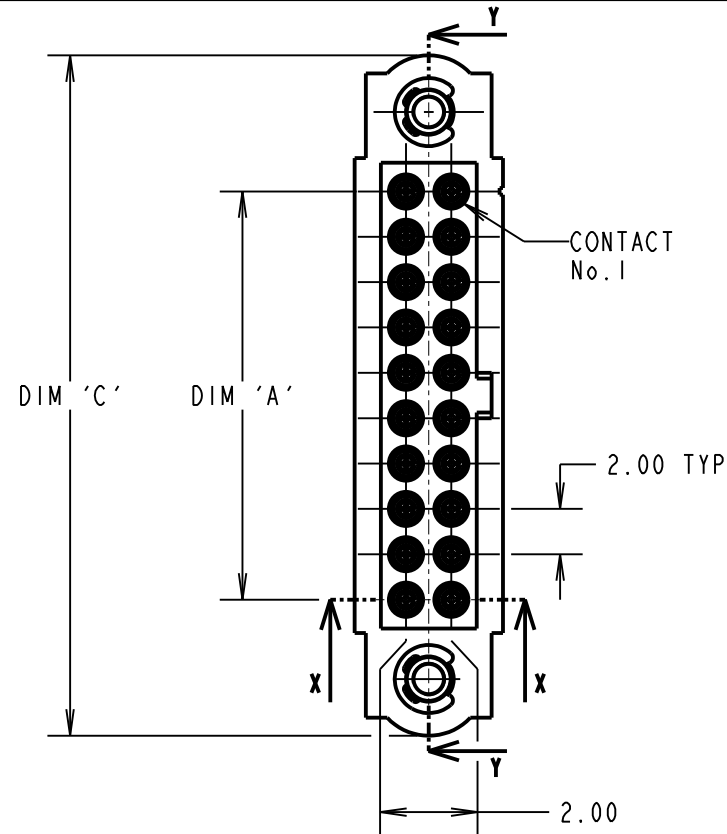
IF IN DOUBT - ASK

©

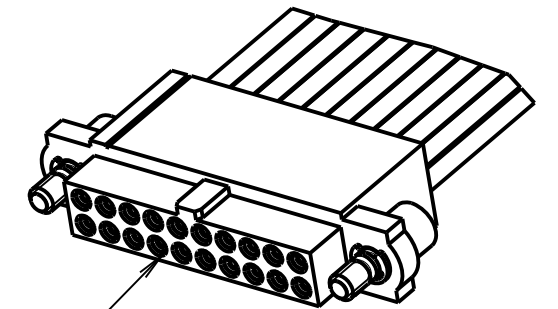
NOT TO SCALE

THIRD ANGLE PROJECTION

ALL DIMENSIONS IN mm



FEMALE MOULDING 1mm
POTTING WALL (1-OFF):
SEE ORDER CODE FOR
TOTAL No. OF CONTACTS



FEMALE MOULDING 5mm
POTTING WALL (1-OFF):
SEE ORDER CODE FOR
TOTAL No. OF CONTACTS

CONTACT No.	WIRE COLOUR
1	BLACK
2	BROWN
3	RED
4	ORANGE
5	YELLOW
6	GREEN
7	BLUE
8	VIOLET
9	GREY
10	WHITE

WIRE COLOURS REPEAT IN ABOVE ORDER FOR ASSEMBLIES OVER 10 CONTACTS

DIMENSION	MEASUREMENT
DIM 'A'	TOTAL No. OF CONTACTS - 2.0
DIM 'B'	TOTAL No. OF CONTACTS + 5.0
DIM 'C'	TOTAL No. OF CONTACTS + 10.0
DIM 'E'	M80-FEXXXX68F2-XXXXL (5mm WALL) = 12.60±0.10 M80-FFXXXX68F2-XXXXL (1mm WALL) = 8.575±0.025

EXAMPLE PART No.:

10 CONTACT CONNECTOR WITH 150mm OF 22AWG WIRE AND 1mm POTTING WALL = M80-FF11068F2-0150L
50 CONTACT CONNECTOR WITH 450mm OF 24AWG WIRE AND 5mm POTTING WALL = M80-FE25068F2-0450L

ORDER CODE:

M80-FXXXX68F2-XXXXL

POTTING WALL:

E = 5mm
F = 1mm

WIRE AWG:

1 = 22AWG (LARGE BORE)
2 = 24AWG (SMALL BORE)
3 = 26AWG (SMALL BORE)
4 = 28AWG (SMALL BORE)

TOTAL No. OF CONTACTS:
06, 10, 12, 14, 18, 20,
26, 34, 42, 50.

DIM 'D' LENGTH:

0060 = 60mm MIN
9999 = 9999mm MAX
(SEE TABLE FOR EXAMPLES)

NOTES:

- CABLE ASSEMBLIES WILL BE PACKED IN BAGS.
- FOR COMPLETE SPECIFICATION, SEE COMPONENT SPECIFICATION C005XX (LATEST ISSUE) AND C049XX (LATEST ISSUE).

HARWIN

www.harwin.com
technical@harwin.com

THIS DRAWING AND ANY INFORMATION OR DESCRIPTIVE MATTER SET OUT HEREON ARE CONFIDENTIAL AND COPYRIGHT PROPERTY OF THE HARWIN GROUP AND MUST NOT BE DISCLOSED, LOANED, COPIED OR USED FOR MANUFACTURING, TENDERING OR FOR ANY OTHER PURPOSE WITHOUT THEIR WRITTEN PERMISSION.

TOLERANCES

X. = ±1mm
X.X = ±0.50mm
X.XX = ±0.20mm
X.XXX = ±0.01mm
ANGLES = ±5°
UNLESS STATED

MATERIAL:

SEE ABOVE

FINISH:

SEE ABOVE

S/AREA:

mm²

TITLE: M80 FEMALE POTTING WALL SINGLE-ENDED CABLE ASSEMBLY WITH JACKSCREWS

DRAWING NUMBER:

M80-FXXXX68F2-XXXXL

RA	ISS.	DATE	CN/CO
1		26.05.20	----
APPROVED:		R.PORTLOCK	
CHECKED:		S.BENNETT	
DRAWN:		R.ALEXANDER	
CUSTOMER REF.:			
ASSEMBLY DRG:			

SHT 2 OF 2