

Customer Information Sheet

DRAWING No.: M80-FDXXX68L0-XXXXL

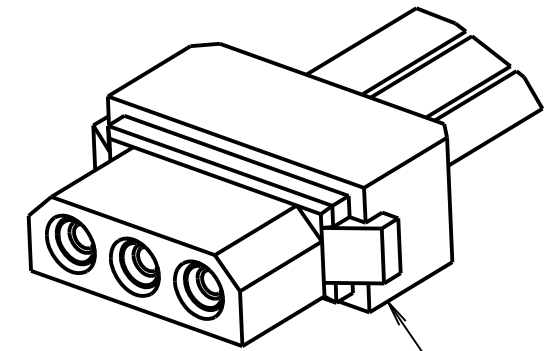
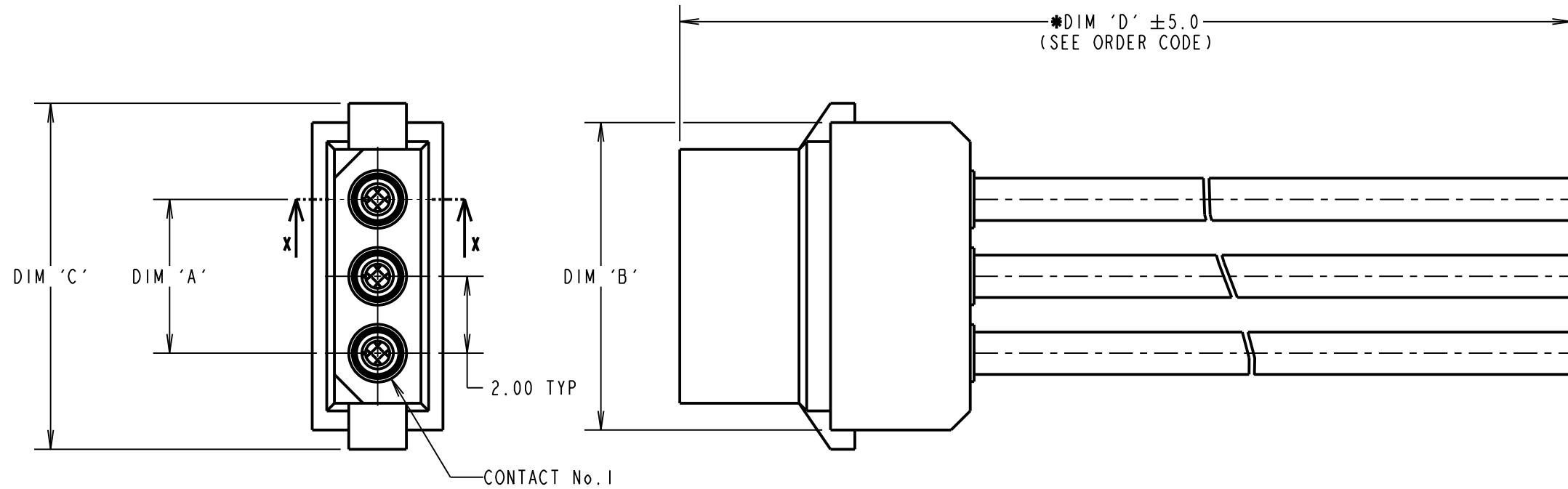
IF IN DOUBT - ASK

©

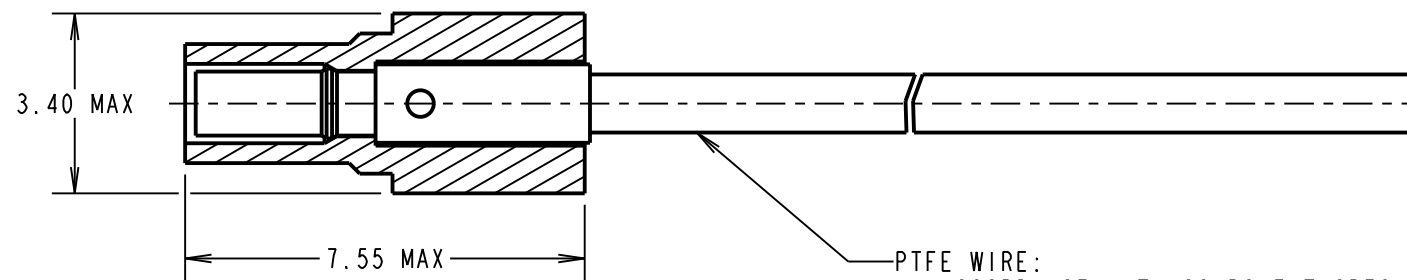
NOT TO SCALE

THIRD ANGLE PROJECTION

ALL DIMENSIONS IN mm



FEMALE MOULDING (1-OFF):
SEE ORDER CODE FOR TOTAL
No. OF CONTACTS



PTFE WIRE:
IN ACCORDANCE WITH COMPONENT SPECIFICATION C049XX
(SEE ORDER CODE FOR WIRE GAUGE)

CONTACT No.	WIRE COLOUR
1	BLACK
2	BROWN
3	RED
4	ORANGE
5	YELLOW
6	GREEN
7	BLUE
8	VIOLET
9	GREY
10	WHITE

WIRE COLOURS REPEAT IN ABOVE
ORDER FOR ASSEMBLIES OVER 10 CONTACTS

- NOTES:
- CABLE ASSEMBLIES WILL BE PACKED IN BAGS OF 10.
 - FOR COMPLETE SPECIFICATION, SEE COMPONENT SPECIFICATION C005XX AND C049XX (LATEST ISSUES).

DIMENSION	MEASUREMENT
DIM 'A'	TOTAL No. OF CONTACTS - 2.00
DIM 'B'	TOTAL No. OF CONTACTS + 2.00
DIM 'C'	(TOTAL No. OF CONTACTS / 2) + 3.15 MAX

EXAMPLE PART No.:
3 CONTACT CONNECTOR WITH 150mm OF 22AWG WIRE =
M80-FD10368L0-0150L
7 CONTACT CONNECTOR WITH 450mm OF 26AWG WIRE =
M80-FD30768L0-0450L

ORDER CODE:
M80-FDXXX68L0-XXXXL

WIRE AWG: _____

1 = 22AWG (LARGE BORE)
2 = 24AWG (SMALL BORE)
3 = 26AWG (SMALL BORE)
4 = 28AWG (SMALL BORE)

DIM 'D' LENGTH:
0060 = 60mm MIN
9999 = 9999mm MAX
(SEE TABLE FOR EXAMPLES)

STOCKED CABLE LENGTHS:
0150 = 150mm
0300 = 300mm
0450 = 450mm

TOTAL No. OF CONTACTS: _____
02, 03, 04, 05, 06, 07, 17.

RTP	2	23.01.19	21749
NAME	ISS.	DATE	C/NOTE
APPROVED: R.PORTLOCK			
CHECKED: S.BENNETT			
DRAWN: R.PORTLOCK			
CUSTOMER REF.:			
ASSEMBLY DRG:			

HARWIN

www.harwin.com
technical@harwin.com

THIS DRAWING AND ANY
INFORMATION OR DESCRIPTIVE
MATTER SET OUT HEREON ARE
CONFIDENTIAL AND COPYRIGHT
PROPERTY OF THE HARWIN
GROUP AND MUST NOT BE
DISCLOSED, LOANED, COPIED
OR USED FOR MANUFACTURING,
TENDERING OR FOR ANY
OTHER PURPOSE WITHOUT
THEIR WRITTEN PERMISSION.

TOLERANCES
X. = ±1mm
X.X = ±0.50mm
X.XX = ±0.10mm
X.XXX = ±0.01mm
ANGLES = ±5°
UNLESS STATED

MATERIAL:
SEE ABOVE

FINISH: SEE ABOVE

S/AREA: mm²

TITLE: DATAMATE L-TEK FEMALE
SINGLE-ENDED CABLE ASSEMBLY
(SIL)

DRAWING NUMBER:
M80-FDXXX68L0-XXXXL

SHT
2 OF 2