

Customer Information Sheet

DRAWING No.: M80-FCXXXFI-XX-XXXXFI

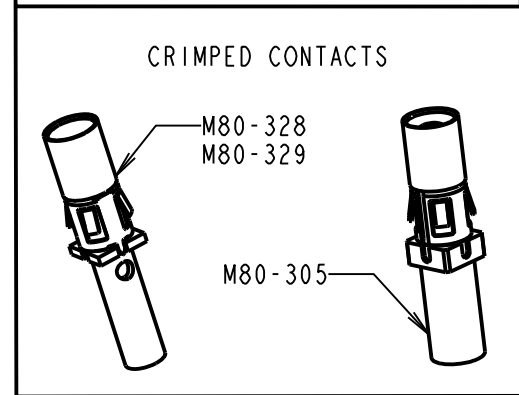
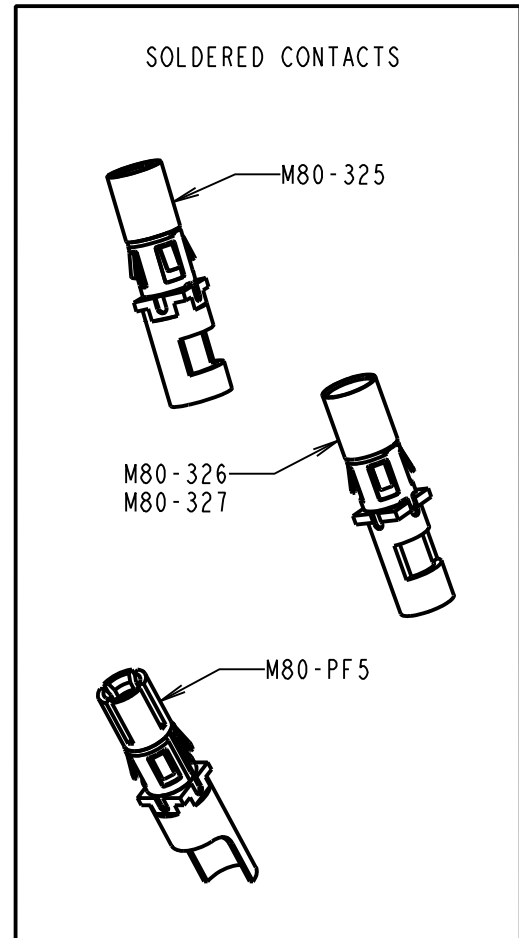
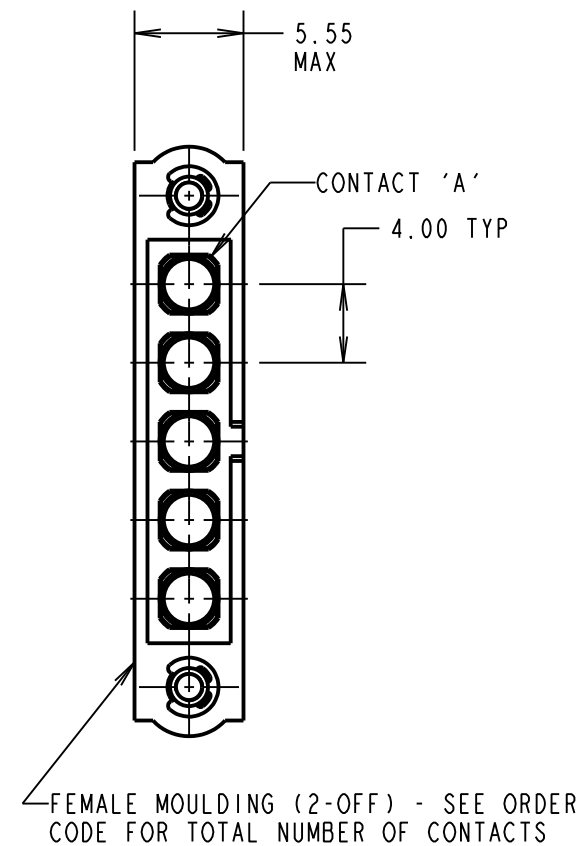
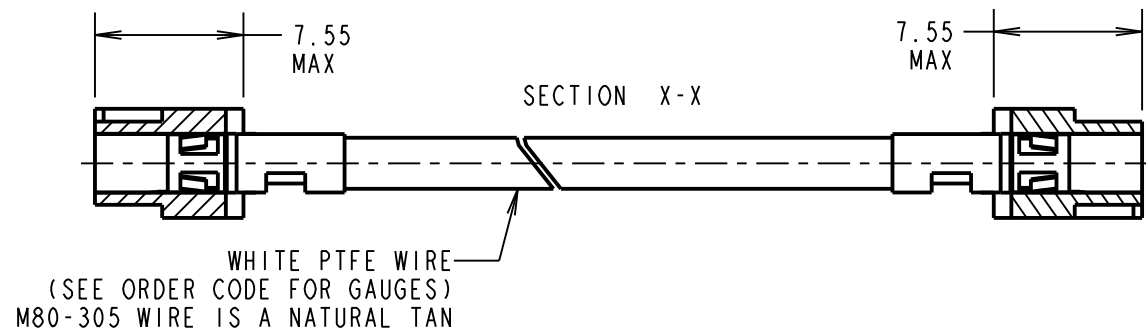
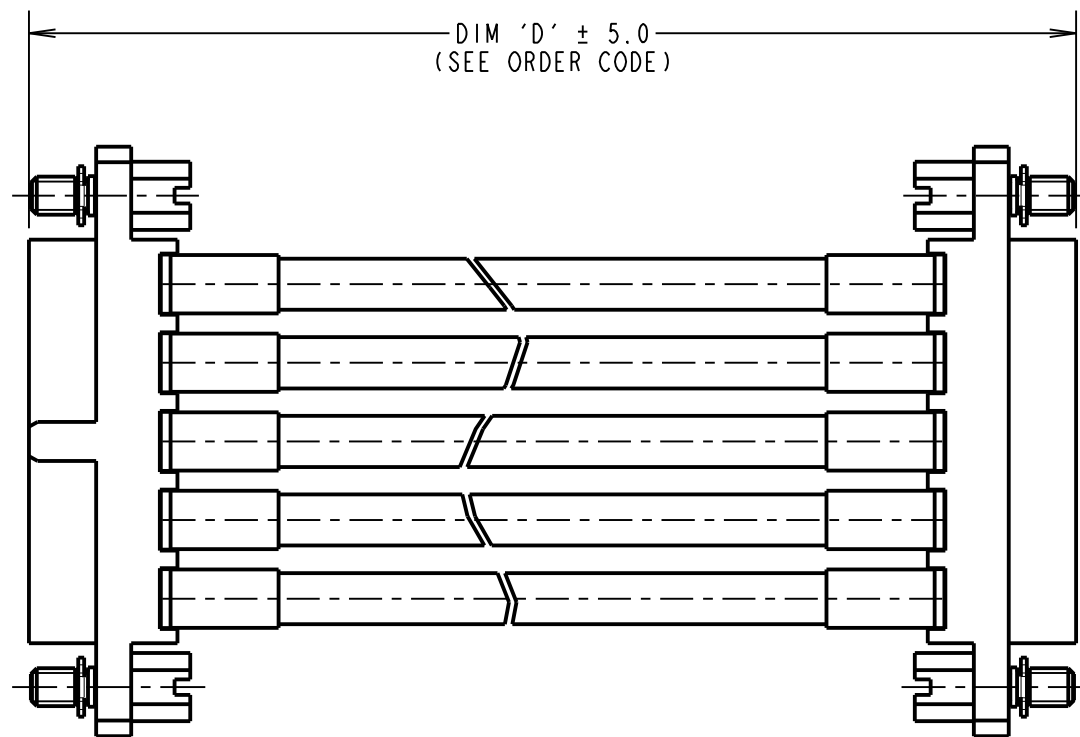
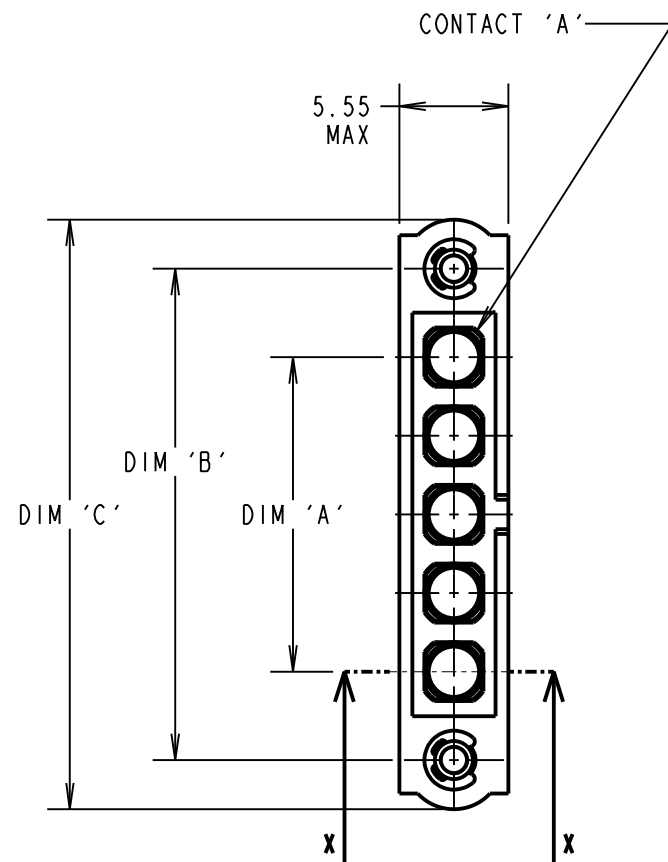
IF IN DOUBT - ASK

©

NOT TO SCALE

THIRD ANGLE PROJECTION

ALL DIMENSIONS IN mm



NOTES:

- CABLE ASSEMBLIES ARE PACKED IN BAGS OF 10.
- FOR COMPLETE SPECIFICATION, SEE COMPONENT SPECIFICATION C005XX AND C049XX (LATEST ISSUES).
- WIRING OF CONNECTOR:
CONTACT A TO CONTACT A,
CONTACT B TO CONTACT B, ETC.

DIMENSION	MEASUREMENT
DIM 'A'	(4 x No. OF CONTACTS) - 4.00
DIM 'B'	(4 x No. OF CONTACTS) + 5.00
DIM 'C'	(4 x No. OF CONTACTS) + 10.0

EXAMPLE PART No.

- 2 x 4 CONTACT CONNECTOR WITH 450mm OF 16AWG WIRE = M80-FC327FI-04-0450FI
- 2 x 10 CONTACT CONNECTOR WITH 150mm OF 12AWG WIRE = M80-FC325FI-10-0150FI

ORDER CODE: M80-FCXXXFI-XX-XXXXFI

POWER CONTACT:

- 305 = COAX CONTACT CRIMP RG178 M80-305
- 325 = POWER CONTACT SOLDER 12AWG M80-325
- 326 = POWER CONTACT SOLDER 14AWG M80-326
- 327 = POWER CONTACT SOLDER 16AWG M80-327
- 328 = POWER CONTACT CRIMP 18AWG M80-328
- 329 = POWER CONTACT CRIMP 20AWG M80-329
- PF5 = POWER CONTACT SOLDER 10AWG M80-PF5

TOTAL No. OF CONTACTS: 02 TO 12

DIM 'D' LENGTH:

- 0060 = 60mm MIN
 - 9999 = 9999mm MAX
- (SEE TABLE FOR EXAMPLES)

STOCKED CABLE LENGTHS:

- 0150 = 150mm
- 0300 = 300mm
- 0450 = 450mm

RTP	3	30.04.19	21914
NAME	ISS.	DATE	C/NOTE

APPROVED: R.PORTLOCK
 CHECKED: S.BENNETT
 DRAWN: F.MCGOWAN
 CUSTOMER REF.:
 ASSEMBLY DRG:



www.harwin.com
 technical@harwin.com

THIS DRAWING AND ANY INFORMATION OR DESCRIPTIVE MATTER SET OUT HEREON ARE CONFIDENTIAL AND COPYRIGHT PROPERTY OF THE HARWIN GROUP AND MUST NOT BE DISCLOSED, LOANED, COPIED OR USED FOR MANUFACTURING, TENDERING OR FOR ANY OTHER PURPOSE WITHOUT THEIR WRITTEN PERMISSION.

TOLERANCES

- X. = ±1mm
 - X.X = ±0.50mm
 - X.XX = ±0.20mm
 - X.XXX = ±0.01mm
- ANGLES = ±5°
 UNLESS STATED

MATERIAL:

SEE ABOVE

FINISH:

SEE ABOVE

S/AREA:

mm²

TITLE: DATAMATE POWER FEMALE-TO-FEMALE CABLE ASSEMBLY WITH JACKSCREW

DRAWING NUMBER: M80-FCXXXFI-XX-XXXXFI

SHT 2 OF 2