

Customer Information Sheet

DRAWING No.: M80-FCXXX68L0-XXXXL

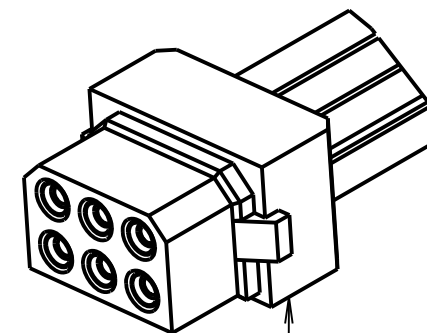
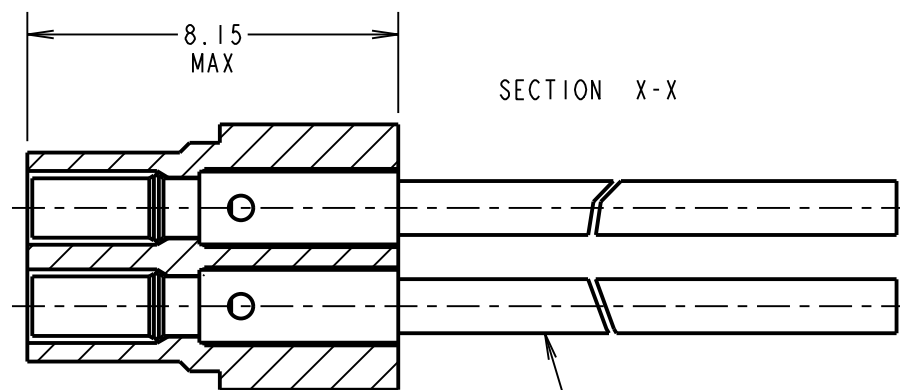
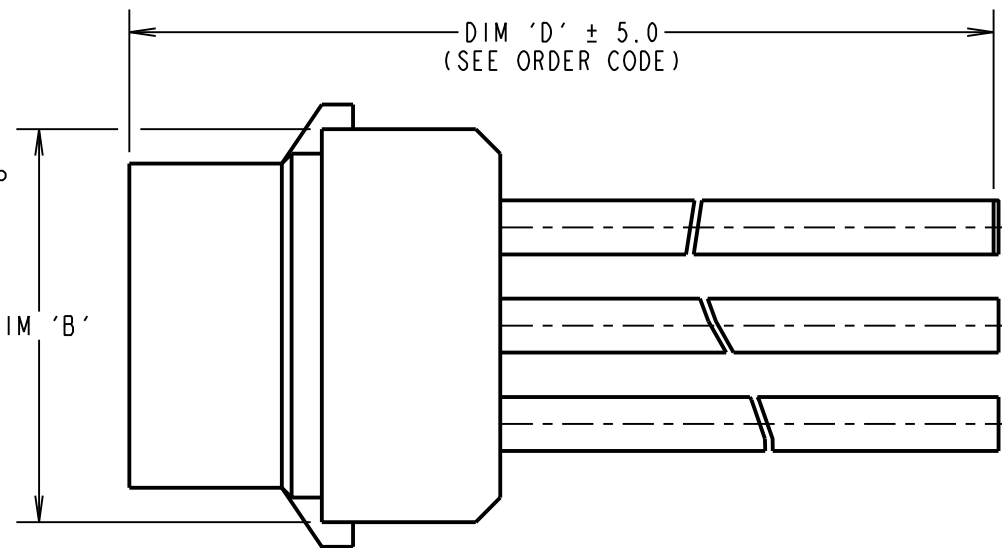
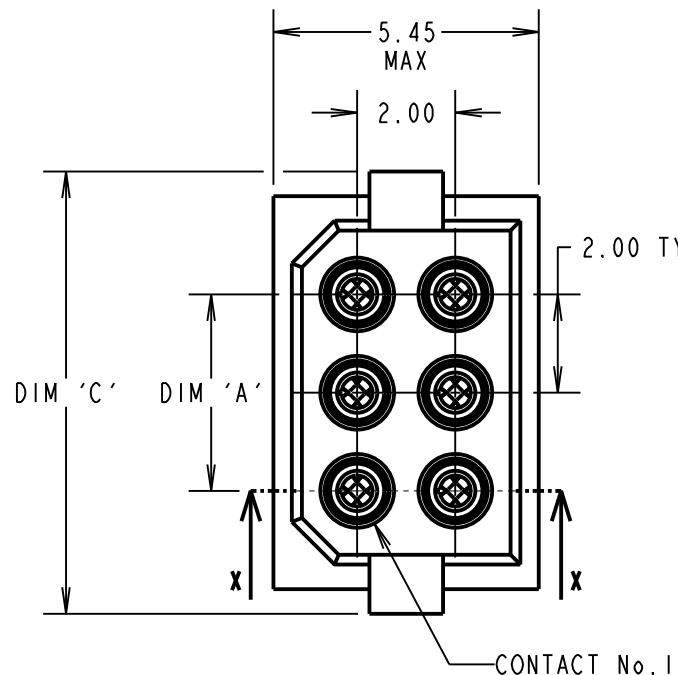
IF IN DOUBT - ASK

©

NOT TO SCALE

THIRD ANGLE PROJECTION

ALL DIMENSIONS IN mm



FEMALE MOULDING (I-OFF);
SEE ORDER CODE FOR TOTAL
NUMBER OF CONTACTS

CONTACT No.	WIRE COLOUR
1	BLACK
2	BROWN
3	RED
4	ORANGE
5	YELLOW
6	GREEN
7	BLUE
8	VIOLET
9	GREY
10	WHITE

WIRE COLOURS REPEAT IN ABOVE ORDER FOR CONNECTOR ASSEMBLIES OVER 10 CONTACTS.

- NOTES:
- CABLE ASSEMBLIES WILL BE PACKED IN BAGS OF 10.
 - FOR COMPLETE SPECIFICATION, SEE COMPONENT SPECIFICATION C005XX AND C049XX (LATEST ISSUES).

OBSOLETE
32AWG Variants
Last Time Buy 21-Aug-2020

WHITE PTFE WIRE:
IN ACCORDANCE WITH COMPONENT SPECIFICATION C049XX
(SEE ORDER CODE FOR WIRE GAUGE)

ORDER CODE: M80-FCXXX68L0-XXXXL

- WIRE GAUGE:
- 1 = 22AWG (LARGE BORE)
 - 2 = 24AWG (SMALL BORE)
 - 3 = 26AWG (SMALL BORE)
 - 4 = 28AWG (SMALL BORE)
 - 5 = 30AWG (EXTRA SMALL BORE)
 - 6 = 32AWG (EXTRA SMALL BORE)

DIM 'D' LENGTH:
0060 = 60mm MIN
9999 = 9999mm MAX
(SEE TABLE FOR EXAMPLES)

STOCKED CABLE LENGTHS:
0150 = 150mm
0300 = 300mm
0450 = 450mm

TOTAL No. OF CONTACTS:
04, 06, 08, 10, 12, 14,
16, 18, 20, 26, 34

DIMENSION	MEASUREMENT
DIM 'A'	TOTAL No. OF CONTACTS - 2.00
DIM 'B'	TOTAL No. OF CONTACTS + 2.00
DIM 'C'	(TOTAL No. OF CONTACTS / 2) + 3.15 MAX

EXAMPLE PART No. :
6 CONTACT CONNECTOR WITH 450mm OF 32AWG WIRE =
M80-FC60668L0-0450L
26 CONTACT CONNECTOR WITH 150mm OF 26AWG WIRE =
M80-FC32668L0-0150L

RTP	2	14.09.18	21516
NAME	ISS.	DATE	C/NOTE
APPROVED: R.PORTLOCK			
CHECKED: S.FLOWER			
DRAWN: F.MCGOWAN			
CUSTOMER REF.:			
ASSEMBLY DRG:			

HARWIN

www.harwin.com
technical@harwin.com

THIS DRAWING AND ANY INFORMATION OR DESCRIPTIVE MATTER SET OUT HEREON ARE CONFIDENTIAL AND COPYRIGHT PROPERTY OF THE HARWIN GROUP AND MUST NOT BE DISCLOSED, LOANED, COPIED OR USED FOR MANUFACTURING, TENDERING OR FOR ANY OTHER PURPOSE WITHOUT THEIR WRITTEN PERMISSION.

TOLERANCES

X. = ±1mm
X.X = ±0.50mm
X.XX = ±0.10mm
X.XXX = ±0.01mm
ANGLES = ±5°
UNLESS STATED

MATERIAL:

SEE ABOVE

FINISH:

SEE ABOVE

S/AREA:

mm²

TITLE:

DATAMATE L-TEK FEMALE
SINGLE-ENDED CABLE ASSEMBLY

DRAWING NUMBER:

M80-FCXXX68L0-XXXXL

SHT
2 OF 2