

Customer Information Sheet

DRAWING No.: M80-FB1XX05FC-XXXXFC

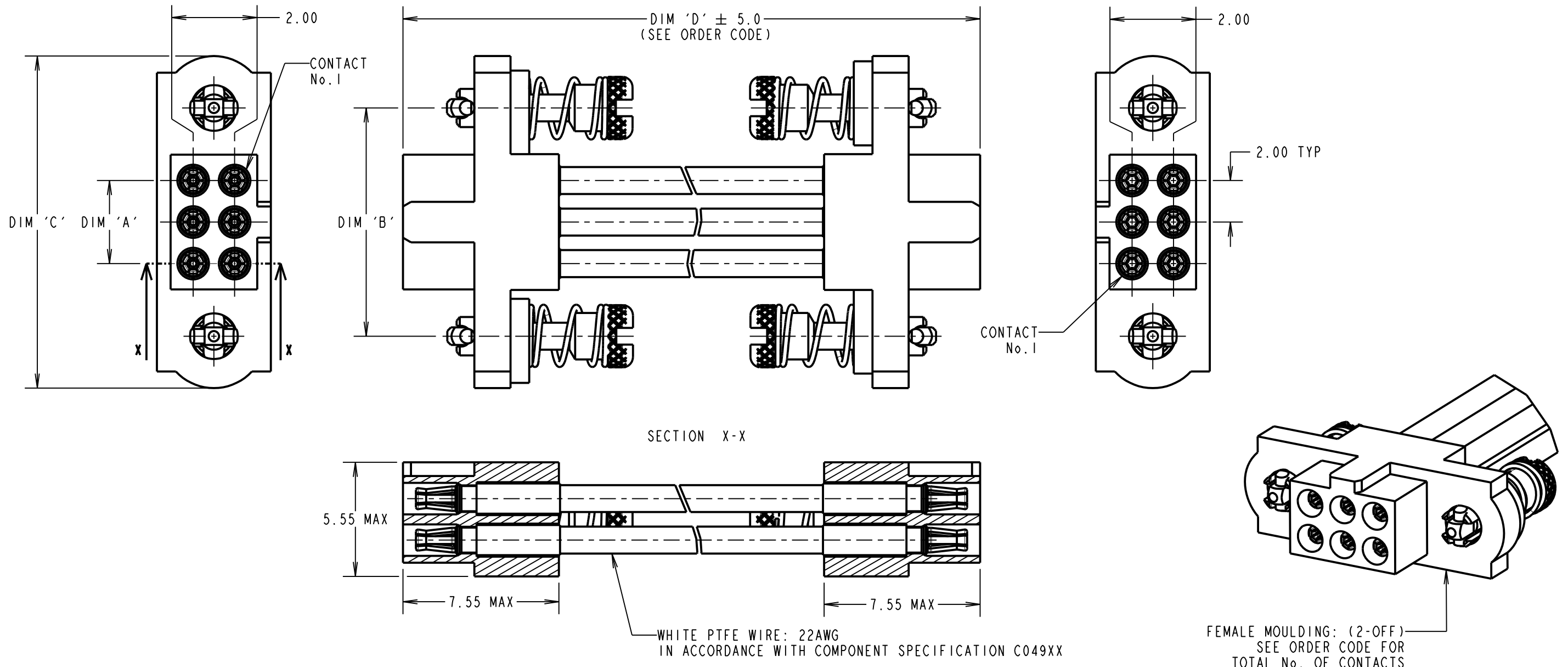
IF IN DOUBT - ASK

©

NOT TO SCALE

THIRD ANGLE PROJECTION

ALL DIMENSIONS IN mm



NOTES:

1. CABLE ASSEMBLIES WILL BE PACKED IN BAGS OF 10.
2. FOR COMPLETE SPECIFICATION, SEE COMPONENT SPECIFICATION C005XX (LATEST ISSUE) AND C049XX (LATEST ISSUE).
3. WIRING OF CONNECTOR:
CONTACT 1 TO CONTACT 1,
CONTACT 2 TO CONTACT 2, ETC.

DIMENSION	MEASUREMENT
DIM 'A'	TOTAL No. OF CONTACTS - 2.00
DIM 'B'	TOTAL No. OF CONTACTS + 5.00
DIM 'C'	TOTAL No. OF CONTACTS + 10.0

EXAMPLE PART No.:

- 2 x 10 CONTACT CONNECTOR WITH 150mm OF 22AWG WIRE = M80-FB11005FC-0150FC
- 2 x 50 CONTACT CONNECTOR WITH 450mm OF 22AWG WIRE = M80-FB15005FC-0450FC

ORDER CODE:

M80-FB1XX05FC-XXXXFC

TOTAL No. OF CONTACTS: _____
04 TO 50
EVEN NUMBERS ONLY

DIM 'D' LENGTH:
0060 = 60mm MIN
9999 = 9999mm MAX
(SEE TABLE FOR EXAMPLES)

STOCKED CABLE LENGTHS:
0150 = 150mm
0300 = 300mm
0450 = 450mm

RA	5	17.03.20	30022
NAME	ISS.	DATE	C/NOTE
APPROVED: R.ALEXANDER			
CHECKED: R.PORTLOCK			
DRAWN: R.PORTLOCK			
CUSTOMER REF.:			
ASSEMBLY DRG:			

HARWIN

www.harwin.com
technical@harwin.com

THIS DRAWING AND ANY INFORMATION OR DESCRIPTIVE MATTER SET OUT HEREON ARE CONFIDENTIAL AND COPYRIGHT PROPERTY OF THE HARWIN GROUP AND MUST NOT BE DISCLOSED, LOANED, COPIED OR USED FOR MANUFACTURING, TENDERING OR FOR ANY OTHER PURPOSE WITHOUT THEIR WRITTEN PERMISSION.

TOLERANCES
X. = ±1mm
X.X = ±0.50mm
X.XX = ±0.20mm
X.XXX = ±0.01mm

ANGLES = ±5°
UNLESS STATED

MATERIAL:
SEE ABOVE

FINISH: SEE ABOVE

S/AREA: mm²

TITLE: M80 FEMALE-TO-FEMALE T-CONTACT CABLE ASSY WITH 10ILOK JACKSCREWS

DRAWING NUMBER:
M80-FB1XX05FC-XXXXFC