

Customer Information Sheet

DRAWING No.: M80-FB1XX05FI-XXXXFI

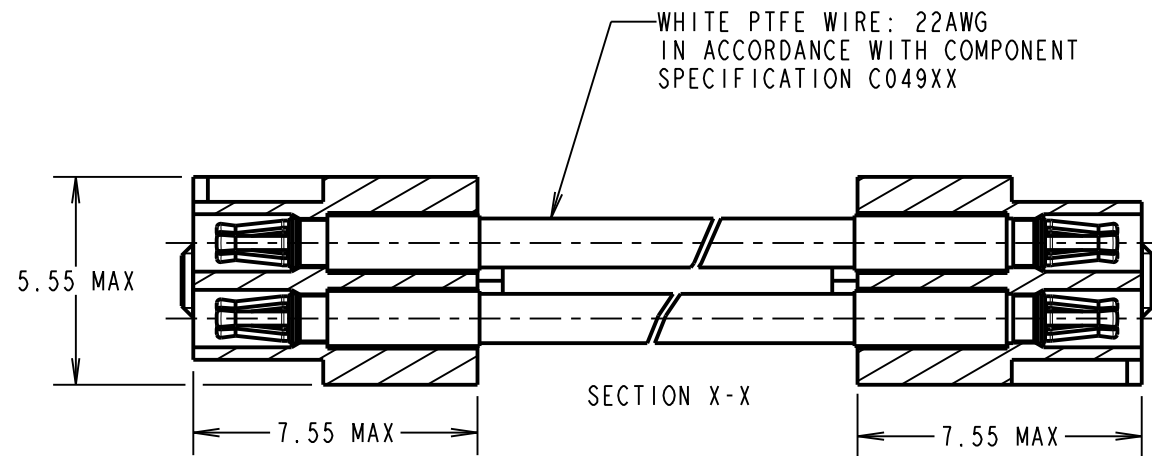
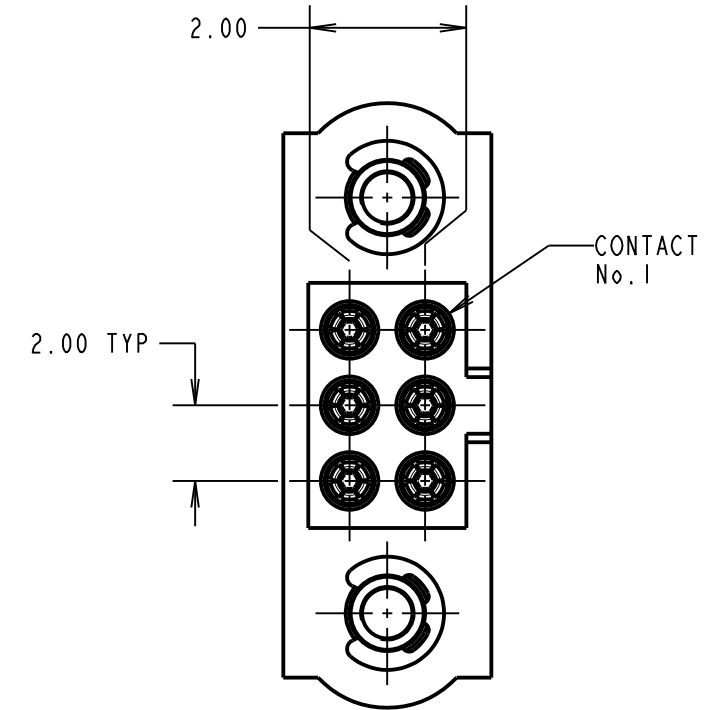
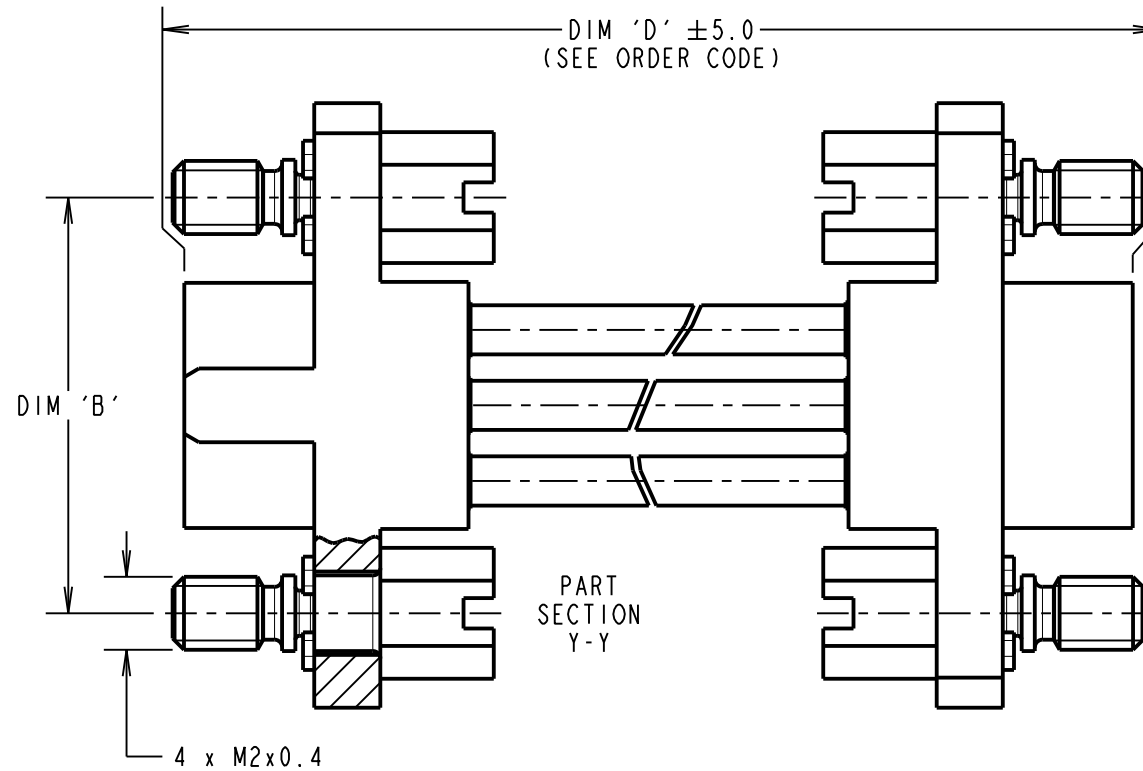
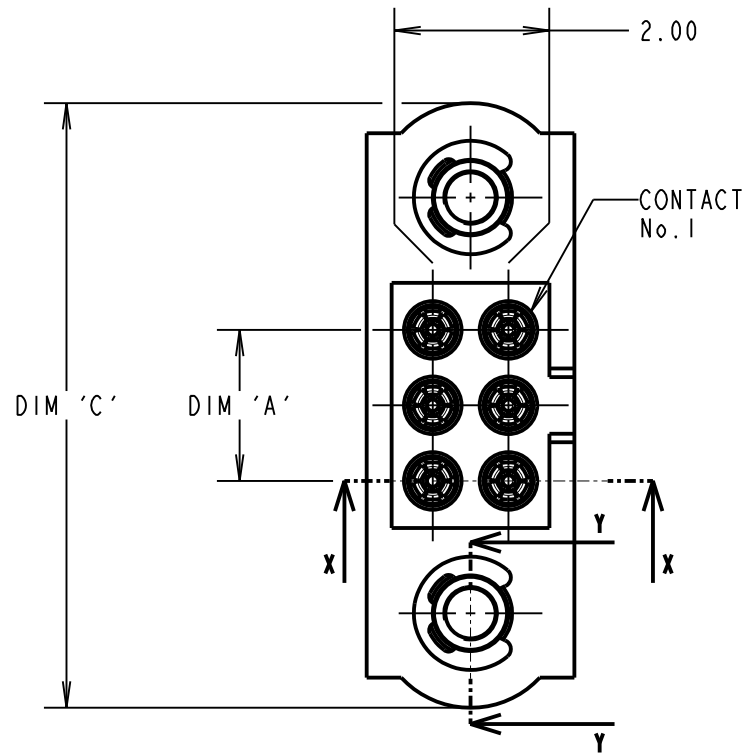
IF IN DOUBT - ASK

©

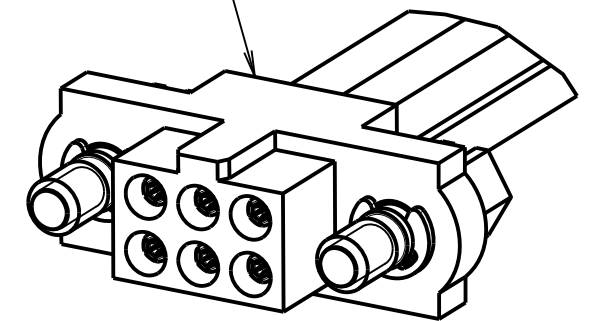
NOT TO SCALE

THIRD ANGLE PROJECTION

ALL DIMENSIONS IN mm



FEMALE MOULDING (2-OFF):
SEE ORDER CODE FOR
TOTAL No. OF CONTACTS



NOTES:

- CABLE ASSEMBLIES WILL BE BULK PACKED IN BAGS.
- FOR COMPLETE SPECIFICATION, SEE COMPONENT SPECIFICATION C005XX (LATEST ISSUE) AND C049XX (LATEST ISSUE).
- WIRING OF CONNECTOR:
CONTACT 1 TO CONTACT 1,
CONTACT 2 TO CONTACT 2, ETC.

DIMENSION	MEASUREMENT
DIM 'A'	TOTAL No. OF CONTACTS - 2.0
DIM 'B'	TOTAL No. OF CONTACTS + 5.0
DIM 'C'	TOTAL No. OF CONTACTS + 10.0

EXAMPLE PART No.:

- 2 x 10 CONTACT CONNECTOR WITH 150mm OF 22AWG WIRE = M80-FB11005FI-0150FI
- 2 x 50 CONTACT CONNECTOR WITH 150mm OF 22AWG WIRE = M80-FB15005FI-0150FI

ORDER CODE:

M80-FB1XX05FI-XXXXFI

TOTAL No. OF CONTACTS: _____
04 TO 50
(EVEN NUMBERS ONLY)

DIM 'D' LENGTH:
0060 = 60mm MIN
9999 = 9999mm MAX
(SEE TABLE FOR EXAMPLES)

RA	2	01.07.20	30101
NAME	ISS.	DATE	CN/CO
APPROVED: R.ALEXANDER			
CHECKED: R.PORTLOCK			
DRAWN: R.ALEXANDER			
CUSTOMER REF.:			
ASSEMBLY DRG:			

HARWIN

www.harwin.com
technical@harwin.com

THIS DRAWING AND ANY INFORMATION OR DESCRIPTIVE MATTER SET OUT HEREON ARE CONFIDENTIAL AND COPYRIGHT PROPERTY OF THE HARWIN GROUP AND MUST NOT BE DISCLOSED, LOANED, COPIED OR USED FOR MANUFACTURING, TENDERING OR FOR ANY OTHER PURPOSE WITHOUT THEIR WRITTEN PERMISSION.

TOLERANCES

X. = ±1mm
X.X = ±0.50mm
X.XX = ±0.20mm
X.XXX = ±0.01mm
ANGLES = ±5°
UNLESS STATED

MATERIAL:

SEE ABOVE

FINISH:

SEE ABOVE

S/AREA:

mm²

TITLE: M80 FEMALE T-CONTACT
DOUBLE-ENDED CABLE ASSEMBLY
WITH SLOTTED JACKSCREWS

DRAWING NUMBER:

M80-FB1XX05FI-XXXXFI

SHT
2
OF 2