

# Customer Information Sheet

DRAWING No.: M80-876XXXX

IF IN DOUBT - ASK



NOT TO SCALE

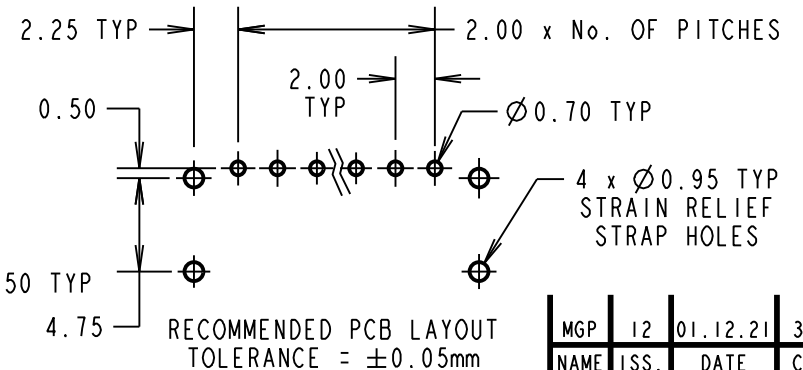
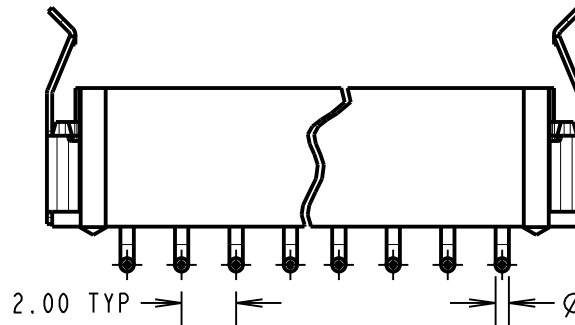
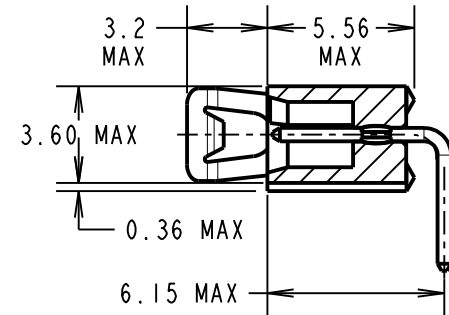
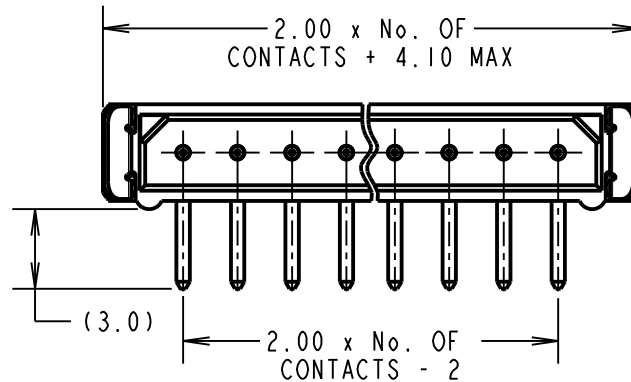
THIRD ANGLE PROJECTION

ALL DIMENSIONS IN mm

**SPECIFICATIONS:**

**MATERIAL:**  
 MOULDING = GLASS-FILLED PBT,  
 UL94V-0, BLACK  
 CONTACTS = PHOSPHOR BRONZE  
 LATCHES = BERYLLIUM COPPER  
**FINISH:**  
 CONTACTS:  
 05 = 0.75µm GOLD  
 22 = 0.75µm GOLD ON CONTACT AREA,  
 3.0µm 90/10 TIN/LEAD ON TAILS  
 LATCH = 1.25µm NICKEL  
**ELECTRICAL:**  
 CURRENT RATING (25°C) = 3.0A MAX.  
 CURRENT RATING (85°C) = 2.2A MAX.  
 WORKING VOLTAGE = 800V AC/DC  
 VOLTAGE PROOF = 1200V AC/DC  
**CONTACT RESISTANCE:**  
 INITIAL = 20 mΩ MAX.  
 AFTER CONDITIONING = 25 mΩ MAX.  
**INSULATION RESISTANCE:**  
 INITIAL = 1000 MΩ MIN.  
 AFTER CONDITIONING = 100 MΩ MIN.  
**MECHANICAL:**  
 DURABILITY = 500 OPERATIONS  
**ENVIRONMENTAL:**  
 TEMPERATURE RANGE = -55°C TO +125°C  
**PACKING:**  
 TUBE

FOR COMPLETE SPECIFICATION, SEE COMPONENT SPECIFICATION C005XX (LATEST ISSUE)



**NOTES:**

- 2-OFF STRAIN RELIEF STRAPS M80-0030006 ARE INCLUDED WITH THIS CONNECTOR.
- FOR RoHS COMPLIANT EQUIVALENT PRODUCT USE M80-842XXXX CONNECTORS.

BRITISH STANDARD ORDER CODE:

**B5743-1XX-M-L-X**

TOTAL No. OF WAYS  
 02 - 07, 17, 22

FINISH:  
 1 = SELECTIVE GOLD  
 3 = GOLD

ORDER CODE:

**M80-876XXXX**

TOTAL No. OF WAYS  
 02 - 07, 17, 22.

FINISH:  
 05 = GOLD  
 22 = SELECTIVE GOLD & TIN/LEAD

MGP	12	01.12.21	31135
NAME	ISS.	DATE	CN/CO
APPROVED:			
CHECKED:			
DRAWN:		K. SHIER	
CUSTOMER REF.:			
ASSEMBLY DRG:			

**HARWIN**

www.harwin.com  
 technical@harwin.com

THIS DRAWING AND ANY INFORMATION OR DESCRIPTIVE MATTER SET OUT HEREON ARE CONFIDENTIAL AND COPYRIGHT PROPERTY OF THE HARWIN GROUP AND MUST NOT BE DISCLOSED, LOANED, COPIED OR USED FOR MANUFACTURING, TENDERING OR FOR ANY OTHER PURPOSE WITHOUT THEIR WRITTEN PERMISSION.

**TOLERANCES**  
 X. = ±1mm  
 X.X = ±0.50mm  
 X.XX = ±0.20mm  
 X.XXX = ±0.01mm  
 ANGLES = ±5°  
 UNLESS STATED

**MATERIAL:**  
 SEE ABOVE  
**FINISH:** SEE ABOVE  
**S/AREA:** mm<sup>2</sup>

**TITLE:** DATAMATE SIL  
 HORIZONTAL MALE PC TAIL  
 ASSEMBLY - LATCHED

**DRAWING NUMBER:**  
**M80-876XXXX**

SHT  
 2  
 OF 2