

# Customer Information Sheet

DRAWING No.: M80-828XXXXP

IF IN DOUBT - ASK

©

NOT TO SCALE

THIRD ANGLE PROJECTION

ALL DIMENSIONS IN mm

ORDER CODE:

**M80-828XXXXP**

TOTAL No. OF WAYS

04, 06, 08, 10, 12  
14, 16, 18, 20, 26  
34

FINISH

22 - SELECTIVE GOLD  
+ TIN/LEAD  
42 - SELECTIVE GOLD  
+ 100% TIN  
45 - GOLD

SPECIFICATIONS:

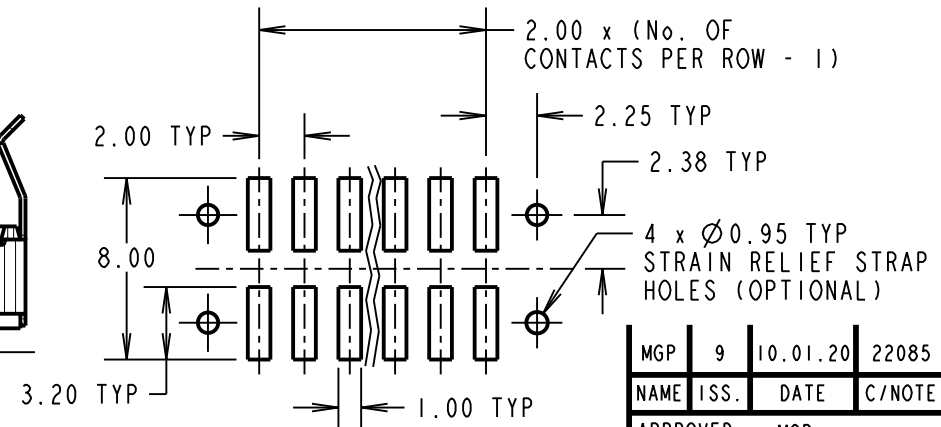
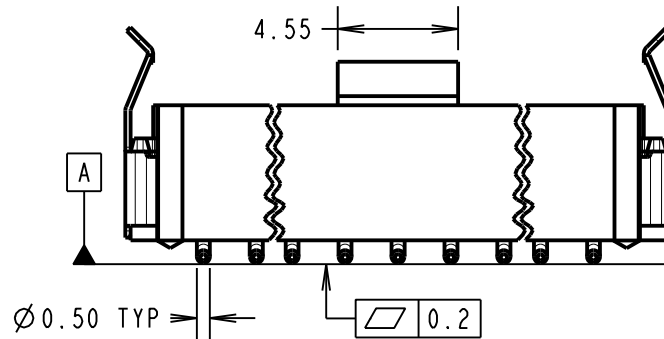
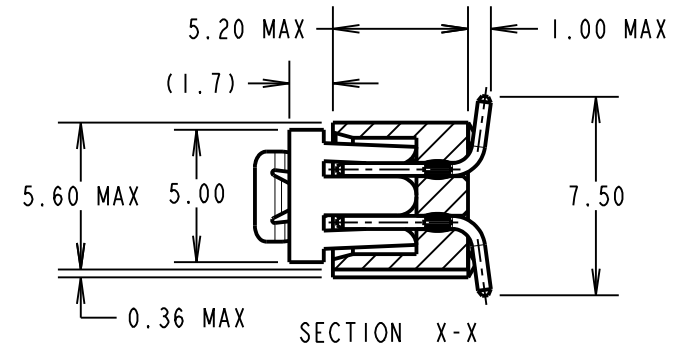
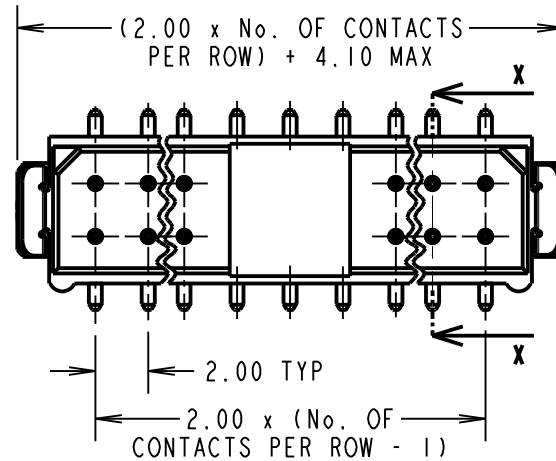
MATERIAL:  
MOULDING = G-F PPS UL94V-0, BLACK  
CONTACTS = PHOSPHOR BRONZE  
LATCHES - BERYLLIUM COPPER  
PICK/PLACE CAP = G-F PA46 UL94V-0,  
NATURAL

FINISH:

CONTACTS: (ALL OVER NICKEL)  
22 = 0.75µm GOLD ON CONTACT AREA,  
3.0µm 90/10 TIN/LEAD ON TAILS  
42 = 0.75µm GOLD ON CONTACT AREA,  
3.0µm 100% TIN ON TAILS  
45 = 0.75µm GOLD ALL OVER  
LATCH = 1.25µm NICKEL

ELECTRICAL:

CURRENT RATING AT 25°C = 3.0A MAX  
CURRENT RATING AT 85°C = 2.2A MAX  
WORKING VOLTAGE = 800V AC/DC  
VOLTAGE PROOF = 1200V AC/DC  
CONTACT RESISTANCE (INITIAL) = 20mΩ MAX  
CONTACT RESISTANCE (AFTER CONDITIONING) = 25mΩ MAX  
INSULATION RESISTANCE (INITIAL) = 1,000MΩ MIN  
INSULATION RESISTANCE (AFTER CONDITIONING) = 100MΩ MIN



RECOMMENDED PCB LAYOUT  
TOLERANCE =  $\pm 0.05\text{mm}$

NOTES:

1. 2-OFF STRAIN RELIEF STRAPS  
M80-0030006 MAY BE USED  
WITH THIS CONNECTOR.

MECHANICAL:

DURABILITY = 500 OPERATIONS

ENVIRONMENTAL:

TEMPERATURE RANGE = -55°C TO +125°C

PACKING:

TUBE

FOR COMPLETE SPECIFICATION, SEE COMPONENT  
SPECIFICATION C005XX (LATEST ISSUE)

MGP	9	10.01.20	22085
NAME	ISS.	DATE	C/NOTE
APPROVED: MGP			
CHECKED: SB			
DRAWN: J. EVANS			
CUSTOMER REF.:			
ASSEMBLY DRG:			

**HARWIN**

www.harwin.com  
technical@harwin.com

THIS DRAWING AND ANY  
INFORMATION OR DESCRIPTIVE  
MATTER SET OUT HEREON ARE  
CONFIDENTIAL AND COPYRIGHT  
PROPERTY OF THE HARWIN  
GROUP AND MUST NOT BE  
DISCLOSED, LOANED, COPIED  
OR USED FOR MANUFACTURING,  
TENDERING OR FOR ANY  
OTHER PURPOSE WITHOUT  
THEIR WRITTEN PERMISSION.

TOLERANCES

X. =  $\pm 1\text{mm}$   
X.X =  $\pm 0.50\text{mm}$   
X.XX =  $\pm 0.20\text{mm}$   
X.XXX =  $\pm 0.01\text{mm}$

ANGLES =  $\pm 5^\circ$

UNLESS STATED

MATERIAL:

SEE ABOVE

FINISH: SEE ABOVE

S/AREA:

mm<sup>2</sup>

TITLE: DATAMATE L-TEK  
MALE DIL VERTICAL SMT  
ASSEMBLY - LATCHED, P/PLACE

DRAWING NUMBER:

**M80-828XXXXP**

SHT  
2  
OF  
2