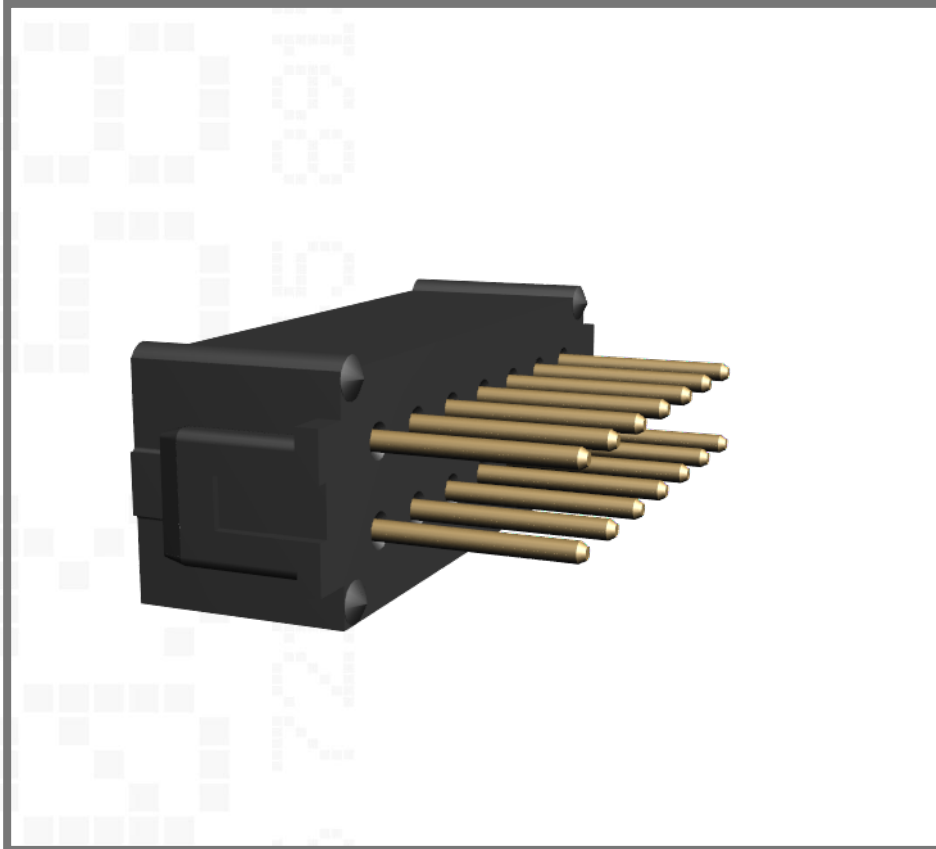


M80-7541445

Datamate L-Tek DIL Male Vertical PC Tail Connector, 2mm pitch



Double row, Unlatched, 4.5mm tail, Gold, 7+7 contacts

Technical Drawing:

[M80-754.pdf](#)

Website

[M80-7541445](#)

Component Specification:

[C005XX](#)

[Request an evaluation sample](#)