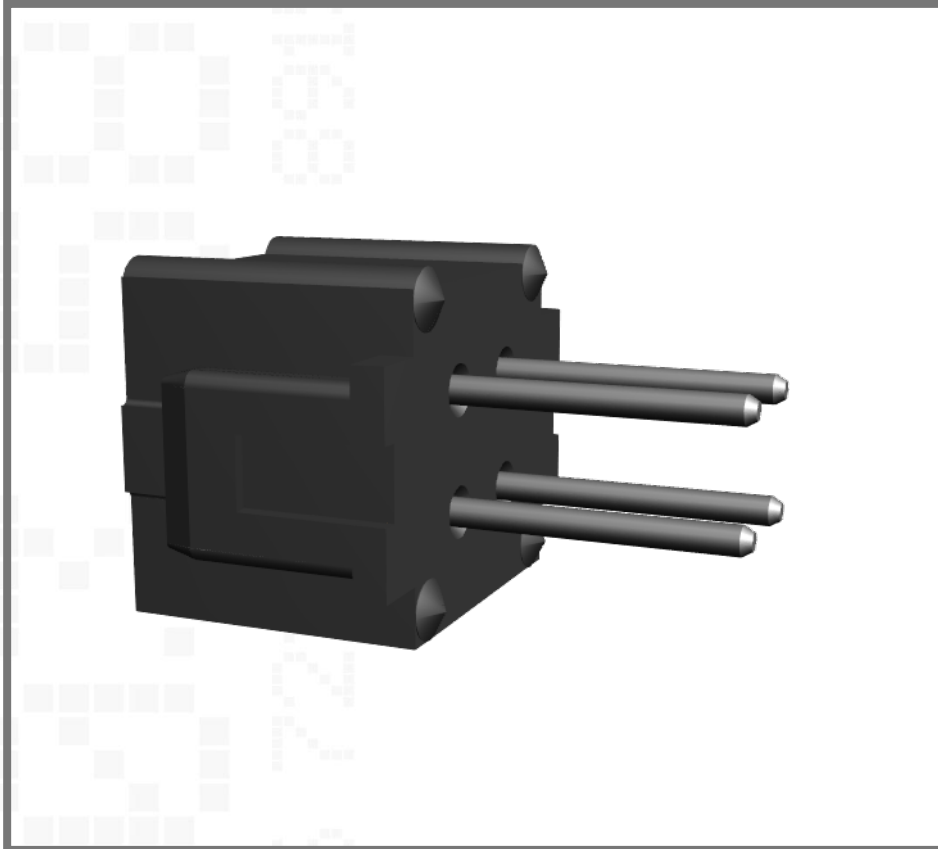


M80-7540442

Datamate L-Tek DIL Male Vertical PC Tail Connector, 2mm pitch



Technical Drawing:

[M80-754.pdf](#)

Website

[M80-7540442](#)

Component Specification:

[C005XX](#)

[Request an evaluation sample](#)

Double row, Unlatched, 4.5mm tail, Selective Gold & Tin, 2+2 contacts