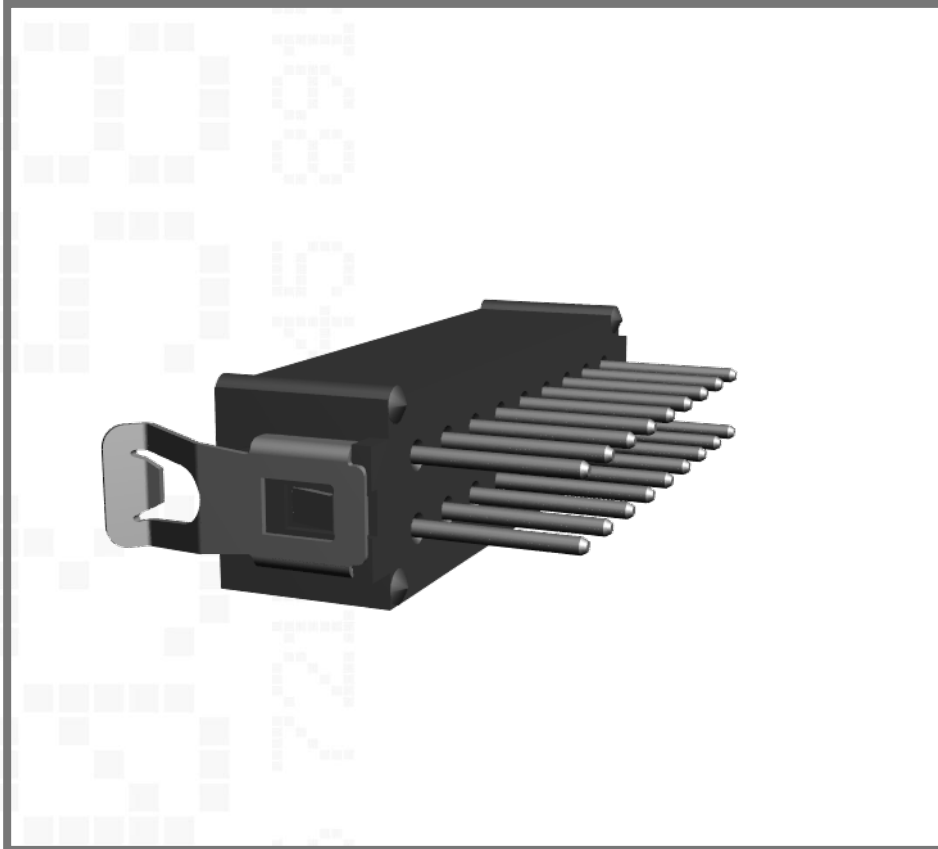


M80-7531842

Datamate L-Tek DIL Male Vertical PC Tail Connector, 2mm pitch



Technical Drawing:

[M80-753.pdf](#)

Website

[M80-7531842](#)

Component Specification:

[C005XX](#)

[Request an evaluation sample](#)

Double row, Locking Latch, 4.5mm tail, Selective Gold & Tin, 9+9 contacts