

# Customer Information Sheet

DRAWING No.: M80-5T12442MI-03-312-00-000

SHEET 2 OF 2

IF IN DOUBT - ASK

©

NOT TO SCALE

THIRD ANGLE PROJECTION

ALL DIMENSIONS IN mm

## SPECIFICATIONS:

### MATERIAL:

MOULDING: GLASS FILLED PPS, UL94V-0, BLACK  
SIGNAL CONTACT: PHOSPHOR BRONZE  
COAX CONTACT:

BODY = COPPER ALLOY  
INNER CONTACT = PHOSPHOR BRONZE  
INSULATOR = PTFE  
JACKSCREW: STAINLESS STEEL

### FINISH:

SIGNAL CONTACT:  
0.75µ GOLD ON CONTACT AREA,  
3µ 100% TIN OVER NICKEL ON TAILS  
COAX CONTACT: BODY, INNER CONTACT = GOLD

### ELECTRICAL:

WORKING VOLTAGE = 800V AC/DC  
VOLTAGE PROOF = 1200V AC/DC  
INSULATION RESISTANCE = 100MΩ MIN  
SIGNAL CONTACT:  
CURRENT RATING AT 25°C = 3.0A MAX  
CURRENT RATING AT 85°C = 2.2A MAX  
CONTACT RESISTANCE = 25mΩ MAX  
COAX CONTACT:  
FREQUENCY RANGE = 6GHz  
IMPEDANCE = 50Ω  
V.S.W.R = 1.05 + (0.04 x FREQUENCY) GHz MAX  
CONTACT RESISTANCE 6mΩ MAX

INSULATION RESISTANCE = 10<sup>6</sup>MΩ @250V AC  
OPERATING VOLTAGE = 180V AC @ 500mA  
MAXIMUM VOLTAGE = 1000V AC

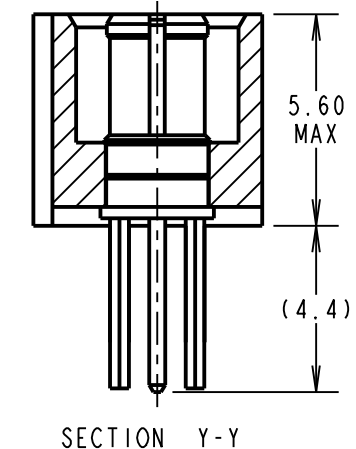
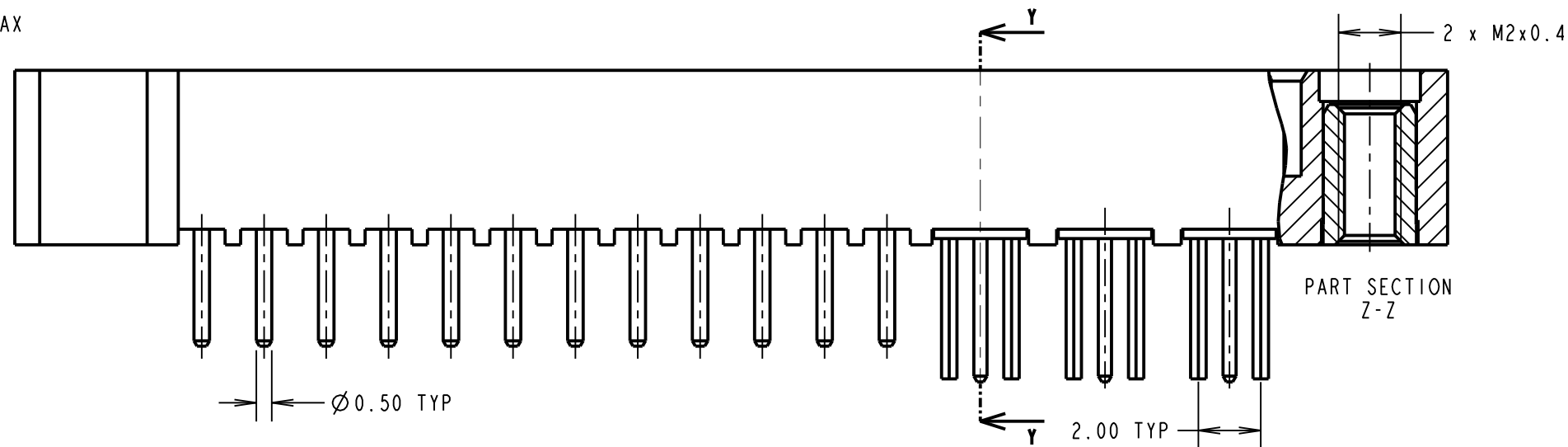
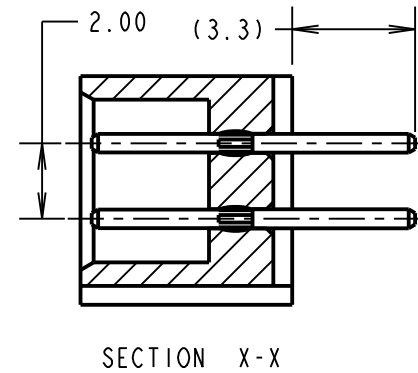
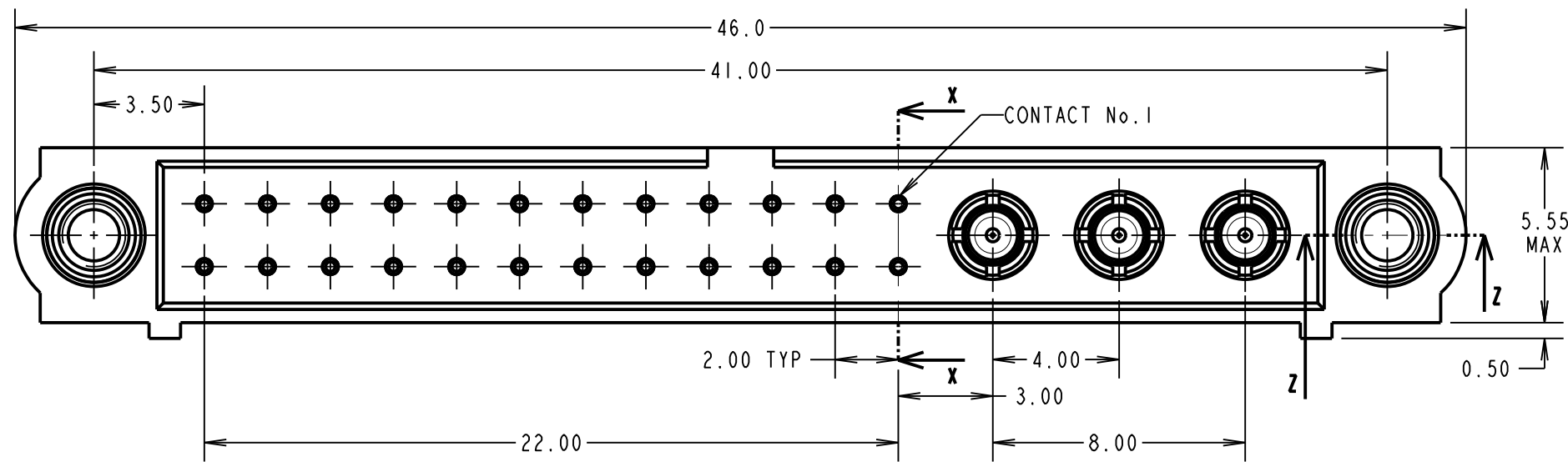
### MECHANICAL:

DURABILITY = 500 OPERATIONS  
SIGNAL CONTACT:  
INSERTION FORCE = 2.0N MAX  
WITHDRAWAL FORCE = 0.2N MIN

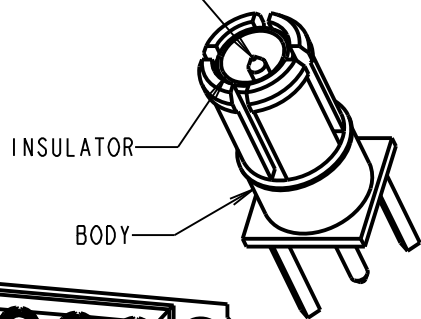
COAX CONTACT:  
INSERTION FORCE = 8N MAX  
WITHDRAWAL FORCE = 0.5N MIN

ENVIRONMENTAL:  
TEMPERATURE RANGE = -55°C TO +125°C

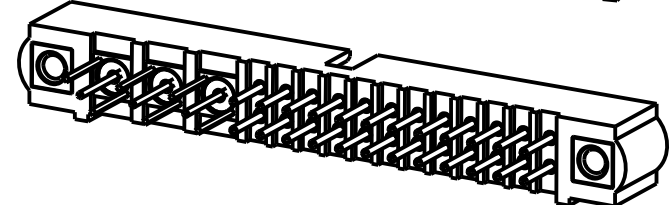
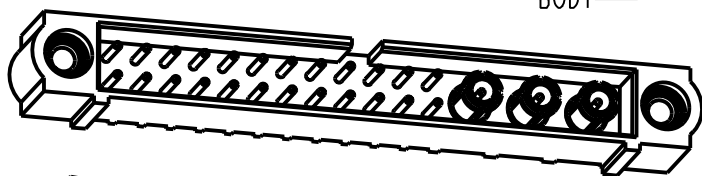
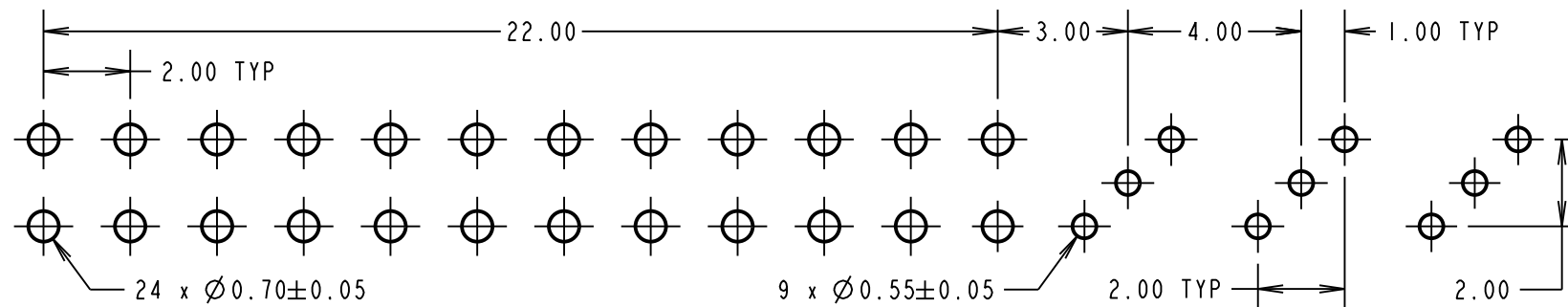
PACKING:  
TUBE  
FOR COMPLETE SPECIFICATION SEE COMPONENT  
SPECIFICATION C005XX (LATEST ISSUE)



VIEW OF COAX CONTACT



RECOMMENDED PCB LAYOUT



FM	2	22.09.17	13269
NAME	ISS.	DATE	C/NOTE
APPROVED: F. MCGOWAN			
CHECKED: M. PLESTED			
DRAWN: R. ADDE			
CUSTOMER REF.:			
ASSEMBLY DRG:			

# HARWIN

www.harwin.com  
technical@harwin.com

THIS DRAWING AND ANY INFORMATION OR DESCRIPTIVE MATTER SET OUT HEREON ARE CONFIDENTIAL AND COPYRIGHT PROPERTY OF THE HARWIN GROUP AND MUST NOT BE DISCLOSED, LOANED, COPIED OR USED FOR MANUFACTURING, TENDERING OR FOR ANY OTHER PURPOSE WITHOUT THEIR WRITTEN PERMISSION.

### TOLERANCES

X. = ±1mm  
X.X = ±0.50mm  
X.XX = ±0.10mm  
X.XXX = ±0.01mm  
ANGLES = ±5°  
UNLESS STATED

### MATERIAL:

SEE ABOVE

### FINISH:

SEE ABOVE

### S/AREA:

mm<sup>2</sup>

TITLE: JACKSCREW DATAMATE  
MIXED TECHNOLOGY  
PC TAIL MALE ASSEMBLY

### DRAWING NUMBER:

M80-5T12442MI-03-312-00-000

SHT  
2 OF 2