

Customer Information Sheet

DRAWING No.: M80-5T11242M2-00-000-01-311

SHEET 2 OF 2

IF IN DOUBT - ASK

©

NOT TO SCALE

THIRD ANGLE PROJECTION

ALL DIMENSIONS IN mm

SPECIFICATIONS:

MATERIAL:

MOULDING: GLASS FILLED PPS, UL94V-0, BLACK
SIGNAL CONTACT: PHOSPHOR BRONZE

COAX CONTACT:

BODY = COPPER ALLOY
INNER CONTACT = PHOSPHOR BRONZE
INSULATOR = PTFE

BOARD-MOUNT JACKSCREW, NUT: STAINLESS STEEL

FINISH:

SIGNAL CONTACT:
75µ GOLD ON CONTACT AREA,
3µ 100% TIN OVER NICKEL ON TAILS
COAX CONTACT: BODY, INNER CONTACT = GOLD

ELECTRICAL:

WORKING VOLTAGE = 800V AC/DC
VOLTAGE PROOF = 1200V AC/DC
INSULATION RESISTANCE = 100MΩ MIN

SIGNAL CONTACT:

CURRENT RATING AT 25°C = 3.0A MAX
CURRENT RATING AT 85°C = 2.2A MAX
CONTACT RESISTANCE = 25mΩ MAX

COAX CONTACT:

FREQUENCY RANGE = 6GHz
IMPEDANCE = 50Ω
V.S.W.R = 1.05 + (0.04 x FREQUENCY) GHz MAX
CONTACT RESISTANCE 6mΩ MAX

INSULATION RESISTANCE = 10⁶MΩ @250V AC
OPERATING VOLTAGE = 180V AC @ 500mA
MAXIMUM VOLTAGE = 1000V AC

MECHANICAL:

DURABILITY = 500 OPERATIONS
SIGNAL CONTACT:
INSERTION FORCE = 2.0N MAX
WITHDRAWAL FORCE = 0.2N MIN

COAX CONTACT:

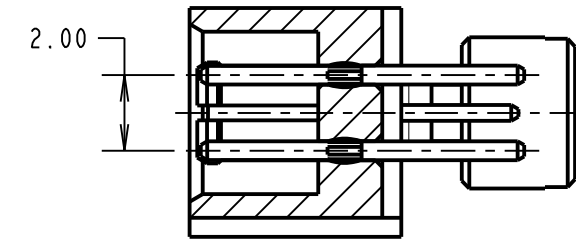
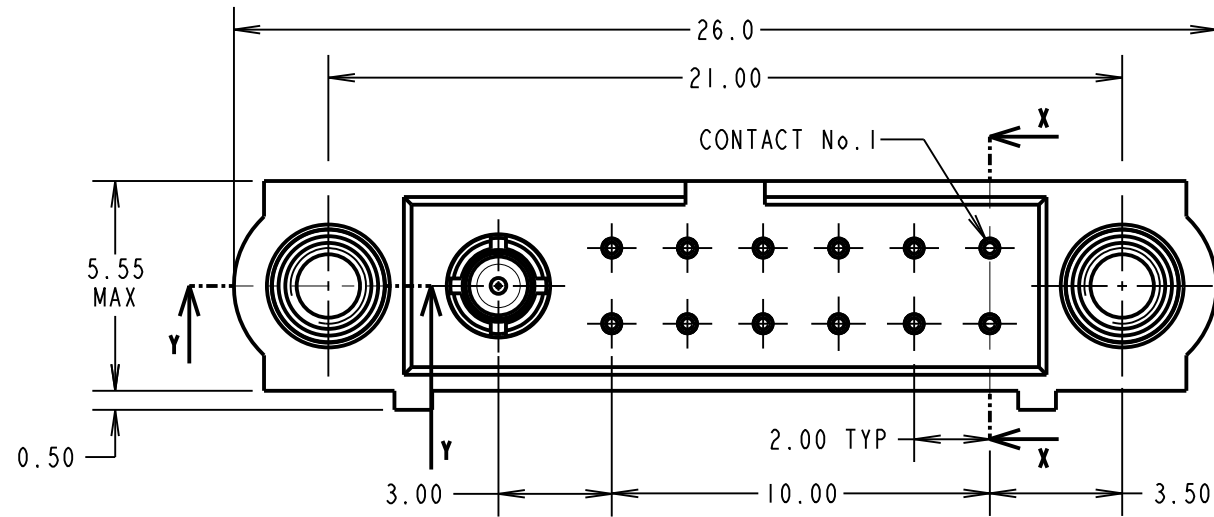
INSERTION FORCE = 8N MAX
WITHDRAWAL FORCE = 0.5N MIN

ENVIRONMENTAL:

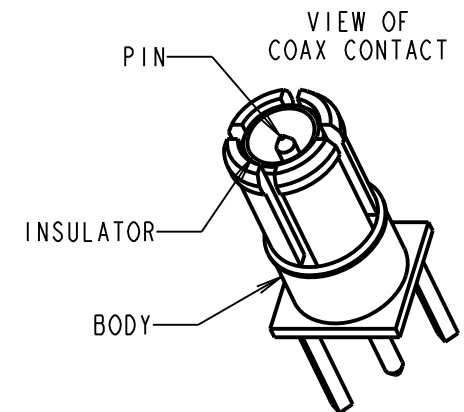
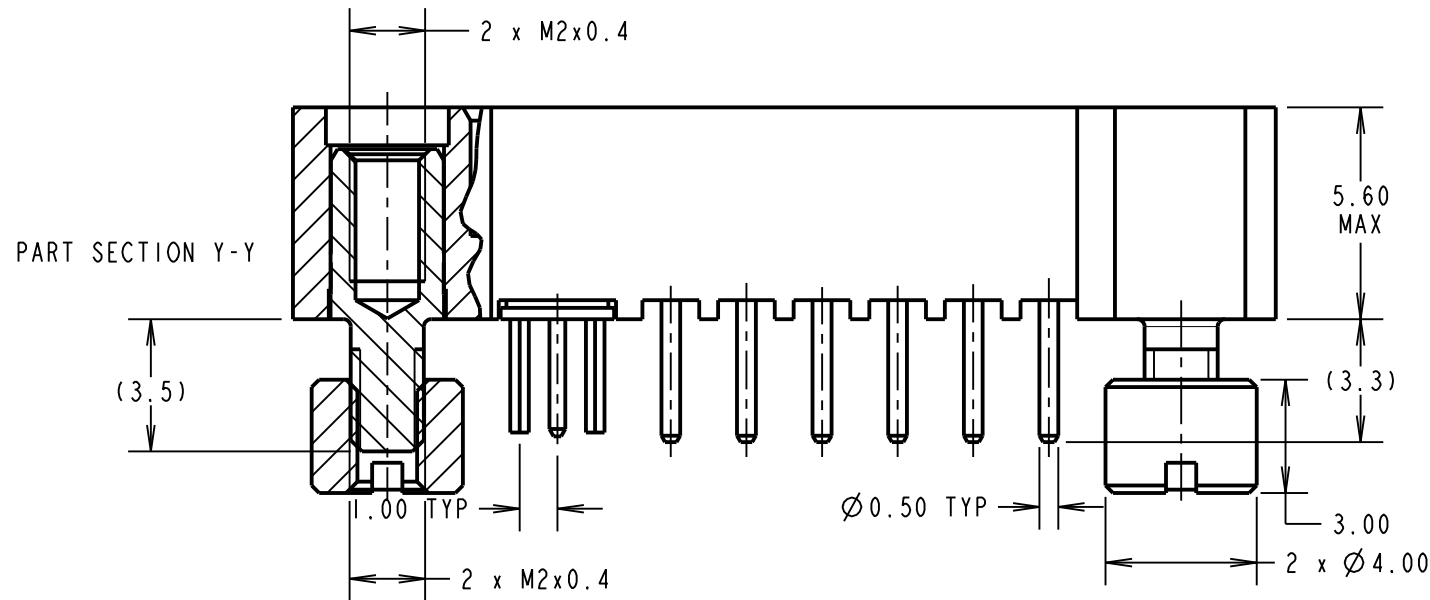
TEMPERATURE RANGE = -55°C TO +125°C

PACKING:

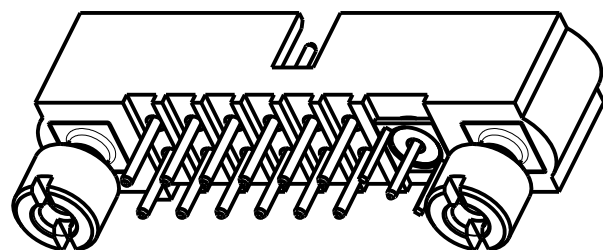
TUBE
FOR COMPLETE SPECIFICATION SEE COMPONENT SPECIFICATION C005XX (LATEST ISSUE)



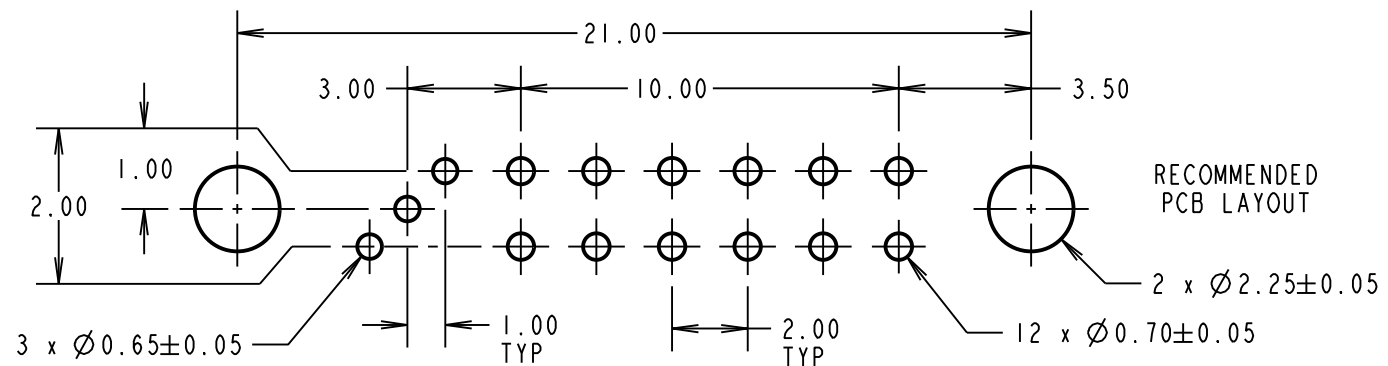
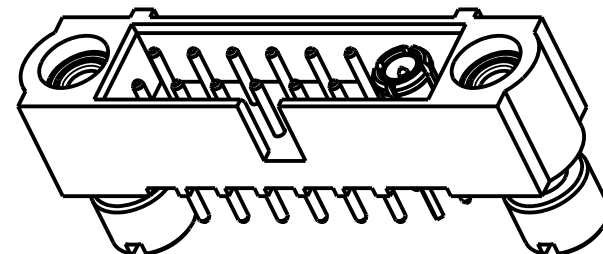
SECTION X-X



NOTE:
1. CONNECTORS ARE SUPPLIED WITH NUTS LOOSE.



COMPLETE ASSEMBLY SHOWN FOR ILLUSTRATION ONLY



HARWIN

www.harwin.com
technical@harwin.com

THIS DRAWING AND ANY INFORMATION OR DESCRIPTIVE MATTER SET OUT HEREON ARE CONFIDENTIAL AND COPYRIGHT PROPERTY OF THE HARWIN GROUP AND MUST NOT BE DISCLOSED, LOANED, COPIED OR USED FOR MANUFACTURING, TENDERING OR FOR ANY OTHER PURPOSE WITHOUT THEIR WRITTEN PERMISSION.

TOLERANCES

X. = ±1mm
X.X = ±0.50mm
X.XX = ±0.10mm
X.XXX = ±0.01mm
ANGLES = ±5°
UNLESS STATED

MATERIAL:

SEE ABOVE

FINISH:

SEE ABOVE

S/AREA:

mm²

TITLE: JACKSCREW DATAMATE MIXED TECHNOLOGY PC TAIL MALE ASSEMBLY

DRAWING NUMBER:

M80-5T11242M2-00-000-01-311

SHT 2 OF 2

FM	2	25.09.17	13269
NAME	ISS.	DATE	C/NOTE
APPROVED: F. MCGOWAN			
CHECKED: M. PLESTED			
DRAWN: J.M.BROOKES			
CUSTOMER REF.:			
ASSEMBLY DRG:			