

Customer Information Sheet

DRAWING No.: M80-5S1XXXXMEP

IF IN DOUBT - ASK

©

NOT TO SCALE

THIRD ANGLE PROJECTION

ALL DIMENSIONS IN mm

SPECIFICATIONS:

MATERIAL:

MOULDING = GLASS-FILLED PPS,
UL94V-0, BLACK
CONTACT = PHOSPHOR BRONZE
JACKSCREW = STAINLESS STEEL
PICK & PLACE CAP = GLASS-FILLED PA46
UL94V-0, NATURAL

FINISH (CONTACTS):

NICKEL ALL OVER CONTACTS
05 = 0.75µm GOLD ALL OVER
22 = 0.75µm GOLD ON CONTACT AREA,
3µm TIN/LEAD ON TAILS
42 = 0.75µm GOLD ON CONTACT AREA,
3µm 100% TIN ON TAILS

ELECTRICAL:

CURRENT RATING AT 25°C = 3.0A MAX
CURRENT RATING AT 85°C = 2.2A MAX
WORKING VOLTAGE = 800V AC/DC
VOLTAGE PROOF = 1200V AC/DC
CONTACT RESISTANCE = 25mΩ MAX
INSULATION RESISTANCE = 100MΩ MIN

MECHANICAL:

DURABILITY = 500 OPERATIONS

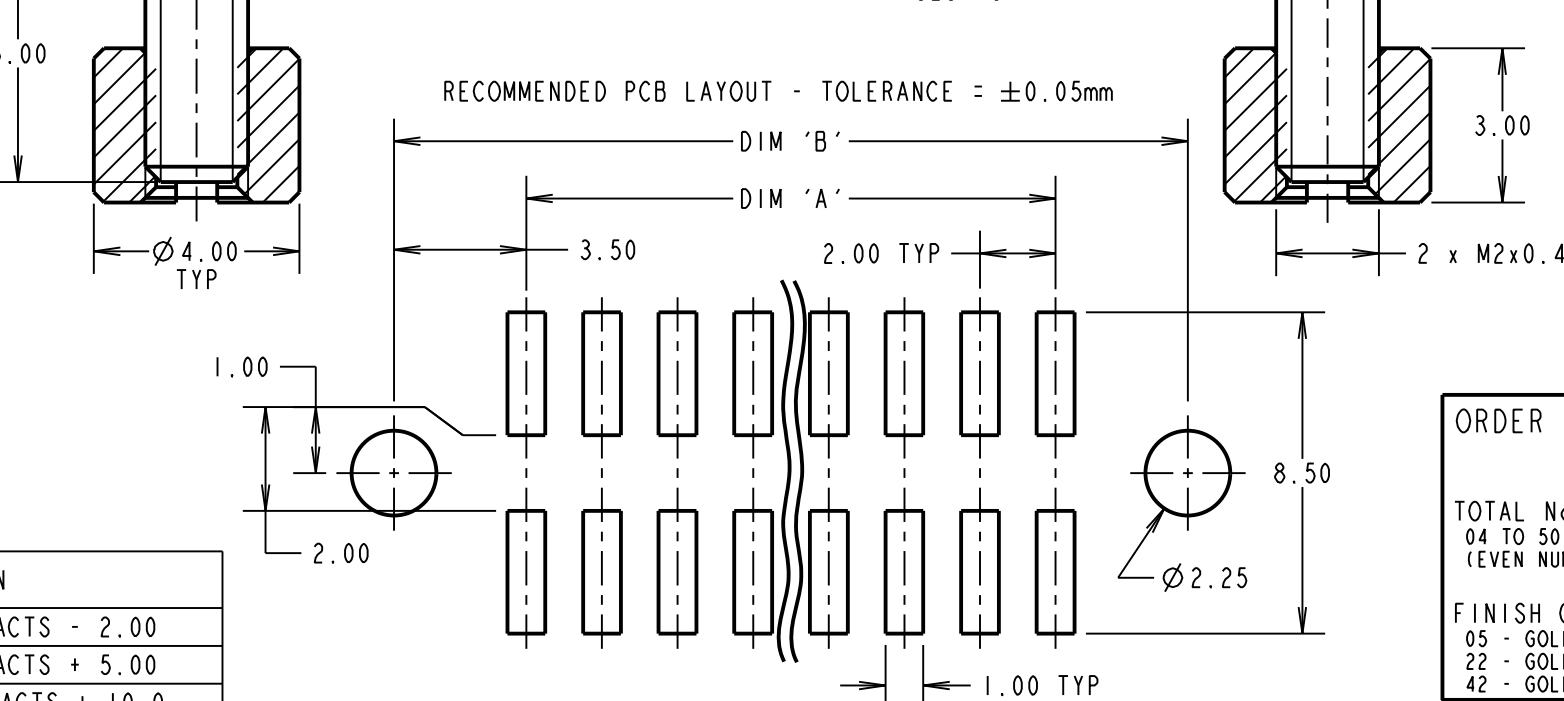
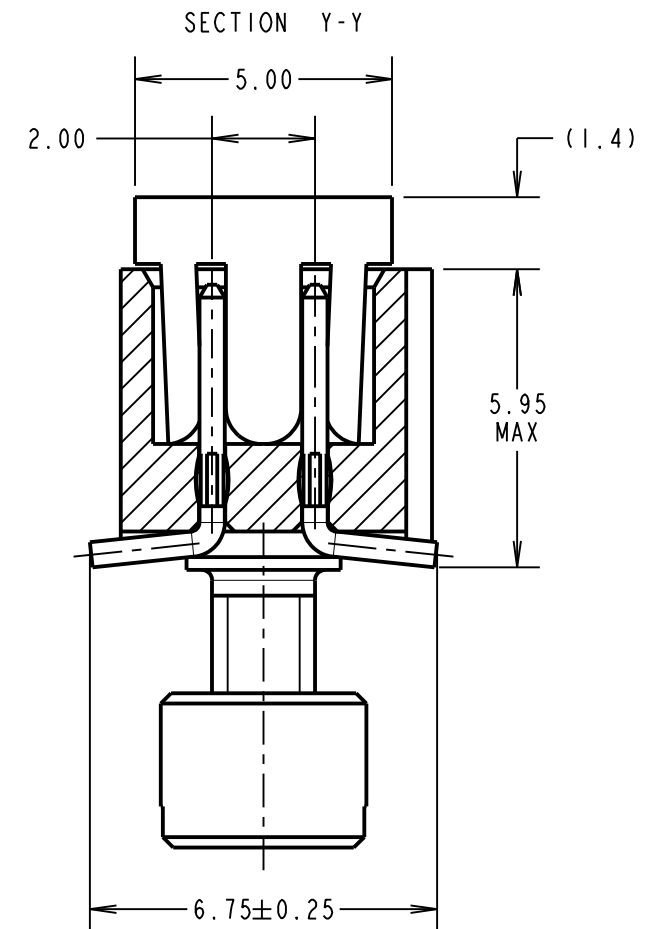
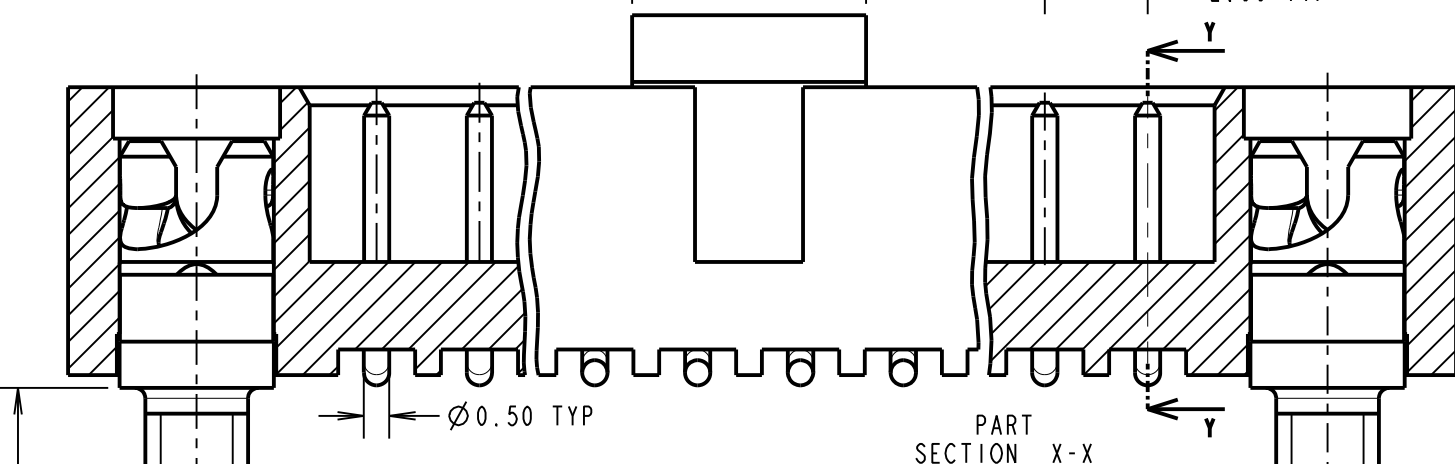
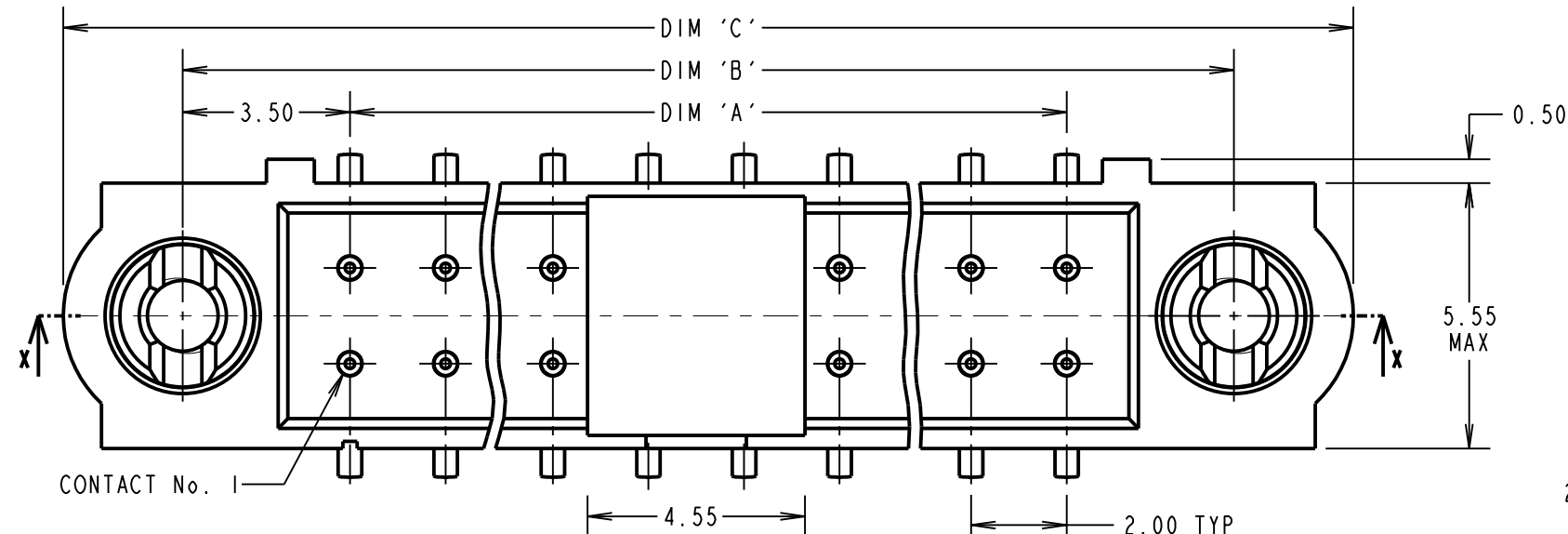
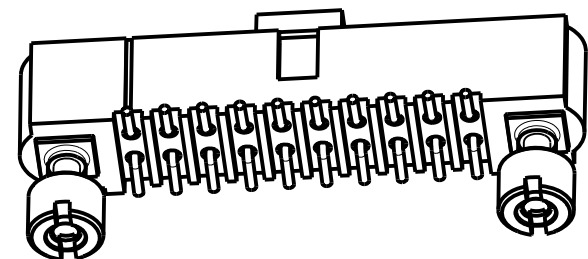
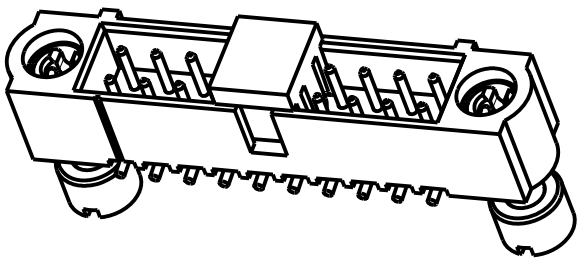
ENVIRONMENTAL:

TEMPERATURE RANGE = -55°C TO +125°C

PACKING:

TUBE

FOR COMPLETE SPECIFICATION, SEE COMPONENT SPECIFICATION C005XX (LATEST ISSUE)



DIMENSION	CALCULATION
DIM 'A'	TOTAL No. OF CONTACTS - 2.00
DIM 'B'	TOTAL No. OF CONTACTS + 5.00
DIM 'C'	TOTAL No. OF CONTACTS + 10.0

EXAMPLE ORDER CODE 1: CONNECTOR WITH 20 CONTACTS,
GOLD ON CONTACT AREA AND 100% TIN OVER NICKEL ON TAIL

M80-5S12042MEP

DIM 'A' = 18.00mm, DIM 'B' = 25.00mm, DIM 'C' = 30.0mm

HARWIN

www.harwin.com
technical@harwin.com

THIS DRAWING AND ANY INFORMATION OR DESCRIPTIVE MATTER SET OUT HEREON ARE CONFIDENTIAL AND COPYRIGHT PROPERTY OF THE HARWIN GROUP AND MUST NOT BE DISCLOSED, LOANED, COPIED OR USED FOR MANUFACTURING, TENDERING OR FOR ANY OTHER PURPOSE WITHOUT THEIR WRITTEN PERMISSION.

TOLERANCES

X. = ±1mm
X.X = ±0.50mm
X.XX = ±0.20mm
X.XXX = ±0.01mm
ANGLES = ±5°
UNLESS STATED

MATERIAL:

SEE ABOVE

FINISH:

SEE ABOVE

S/AREA:

mm²

TITLE: DATAMATE J-TEK DIL
VERT SMT MALE ASSY WITH
10ILOK RETAINERS & P/PLACE

DRAWING NUMBER:

M80-5S1XXXXMEP

MGP	4	10.01.20	22085
NAME	ISS.	DATE	C/NOTE

APPROVED: MGP

CHECKED: SB

DRAWN: MARK PLESTED

CUSTOMER REF.:

ASSEMBLY DRG:

ORDER CODE:

M80-5S1XXXXMEP

TOTAL No. OF CONTACTS
04 TO 50
(EVEN NUMBERS ONLY)

FINISH CODE

05 - GOLD
22 - GOLD ON CONTACT AREA / TIN/LEAD ON TAIL
42 - GOLD ON CONTACT AREA / 100% TIN ON TAIL

SHT

2 OF 2