

Customer Information Sheet

DRAWING No.: M80-5L11205M5-02-333-00-000

IF IN DOUBT - ASK

©

NOT TO SCALE

THIRD ANGLE PROJECTION

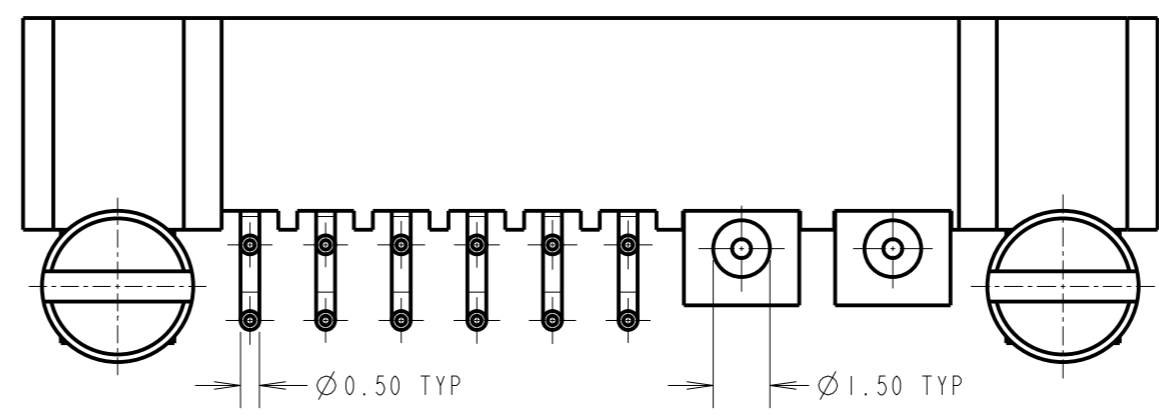
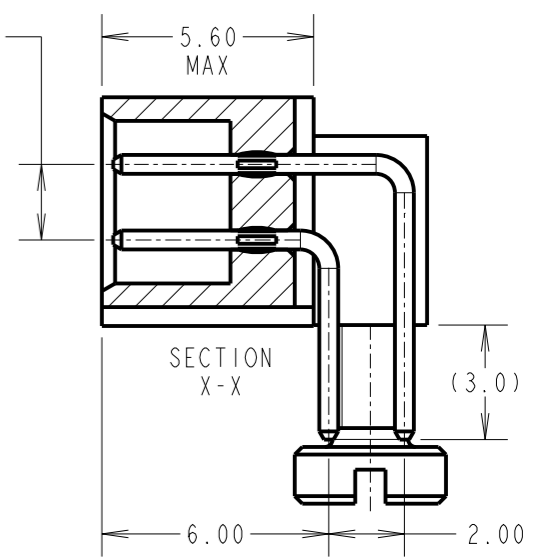
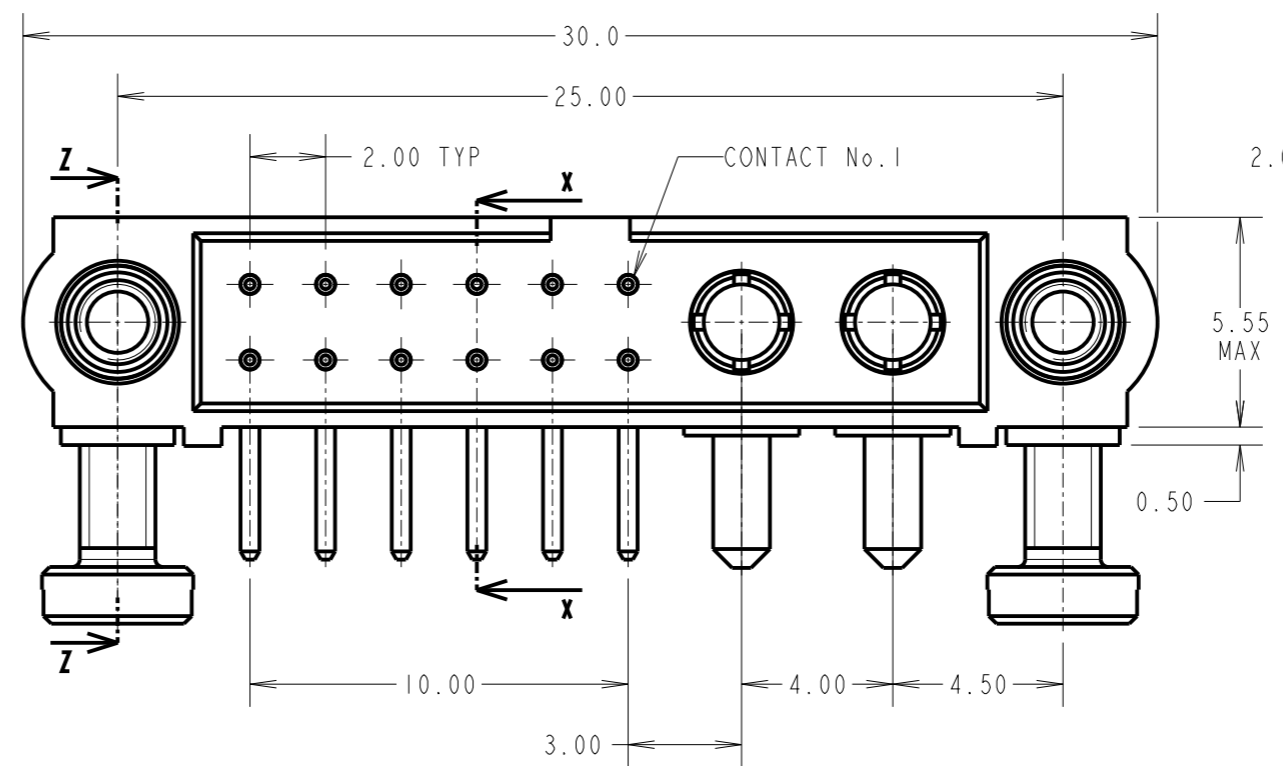
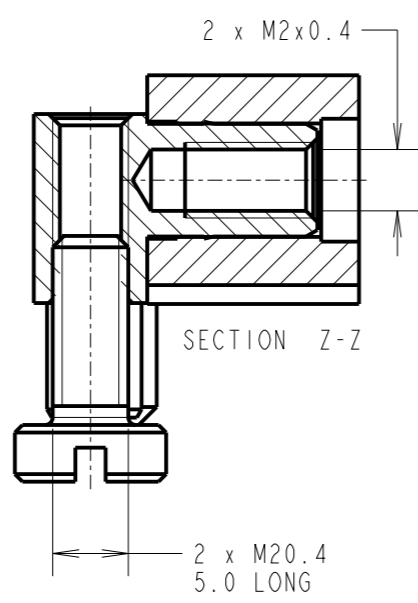
ALL DIMENSIONS IN mm

SPECIFICATIONS:

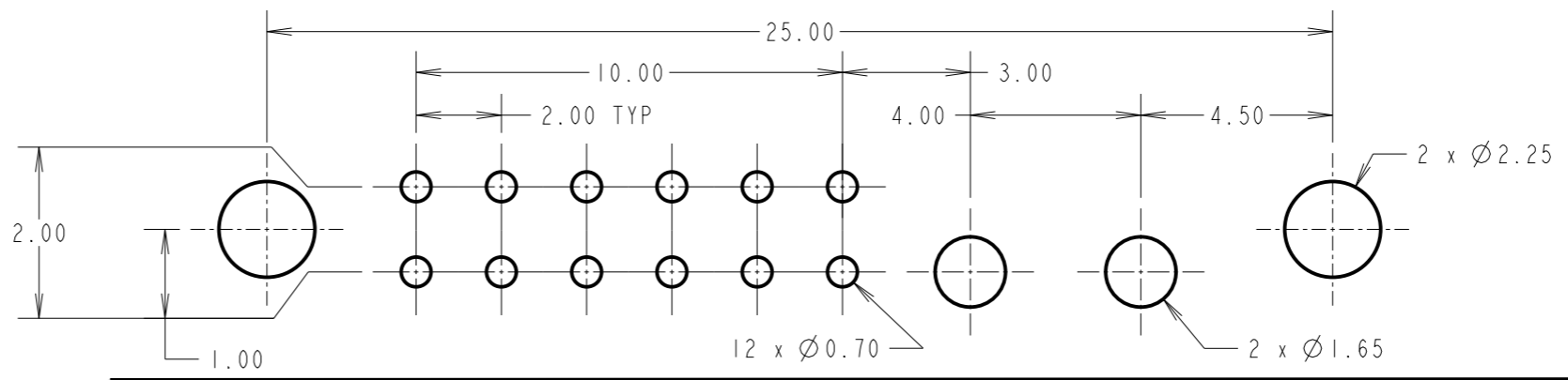
MATERIAL:
 MOULDING: GLASS FILLED PPS, UL94V-0, BLACK
 SIGNAL CONTACT: PHOSPHOR BRONZE
 POWER CONTACT: COPPER ALLOY
 BOARD-MOUNT JACKSCREW, SCREW: STAINLESS STEEL

FINISH:
 SIGNAL CONTACT: GOLD
 POWER CONTACT: GOLD OVER NICKEL

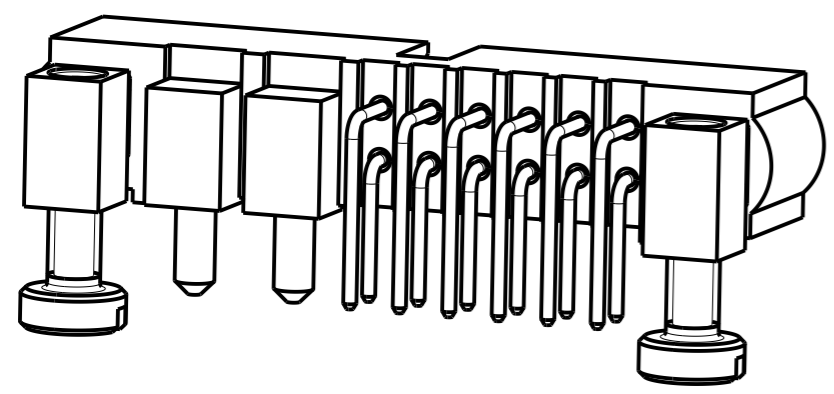
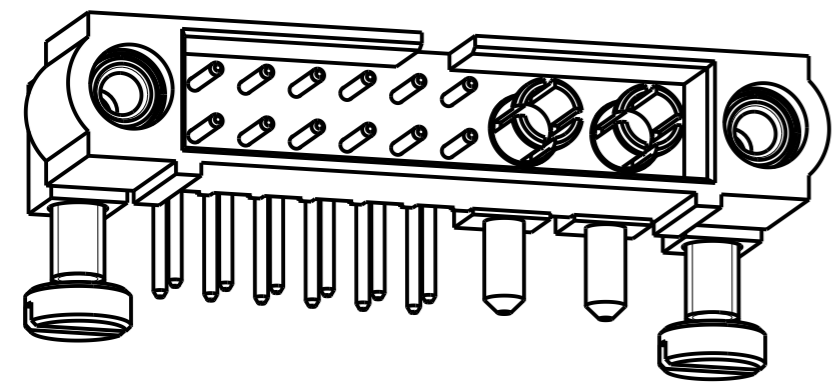
PACKING:
 TUBE
 FOR COMPLETE SPECIFICATION SEE COMPONENT SPECIFICATION C005XX (LATEST ISSUE)



RECOMMENDED PCB LAYOUT - TOLERANCE ±0.05mm)



NOTES:
 1. CONNECTORS ARE SUPPLIED WITH JACKSCREWS NOT ASSEMBLED.



RTP	1	25.02.22	31417
NAME	ISS.	DATE	CN/CO
APPROVED: R.PORTLOCK			
CHECKED: R.ALEXANDER			
DRAWN: R.PORTLOCK			
CUSTOMER REF.:			
ASSEMBLY DRG:			

HARWIN

www.harwin.com
 technical@harwin.com

THIS DRAWING AND ANY INFORMATION OR DESCRIPTIVE MATTER SET OUT HEREON ARE CONFIDENTIAL AND COPYRIGHT PROPERTY OF THE HARWIN GROUP AND MUST NOT BE DISCLOSED, LOANED, COPIED OR USED FOR MANUFACTURING, TENDERING OR FOR ANY OTHER PURPOSE WITHOUT THEIR WRITTEN PERMISSION.

TOLERANCES
 X. = ±1mm
 X.X = ±0.50mm
 X.XX = ±0.20mm
 X.XXX = ±0.01mm
 ANGLES = ±5°
 UNLESS STATED

MATERIAL:
 SEE ABOVE

FINISH:
 SEE ABOVE

S/AREA:
 mm²

TITLE: JACKSCREW DATAMATE
 MIXED TECHNOLOGY HORIZONTAL
 PC TAIL MALE ASSEMBLY

DRAWING NUMBER:
M80-5L11205M5-02-333-00-000

SHT
 2 OF 2