

Customer Information Sheet

DRAWING No.: M80-5L10842M5-06-333-00-000

SHEET 2 OF 2

IF IN DOUBT - ASK

©

NOT TO SCALE

THIRD ANGLE PROJECTION

ALL DIMENSIONS IN mm

SPECIFICATIONS:

MATERIAL:
 Moulding: GLASS FILLED PPS, UL94V-0, BLACK
 Signal Contact: PHOSPHOR BRONZE
 Power Contact: COPPER ALLOY
 Board-Mount Jackscrew, Screw: STAINLESS STEEL

FINISH:
 Signal Contact:
 0.75µ GOLD ON CONTACT AREA,
 3µ 100% TIN OVER NICKEL ON TAILS
 Power Contact: GOLD

ELECTRICAL:
 Working Voltage = 800V AC/DC
 Voltage Proof = 1200V AC/DC
 Insulation Resistance = 100MΩ MIN
 Signal Contact:
 Current Rating at 25°C = 3.0A MAX
 Current Rating at 85°C = 2.2A MAX
 Contact Resistance = 25mΩ MAX

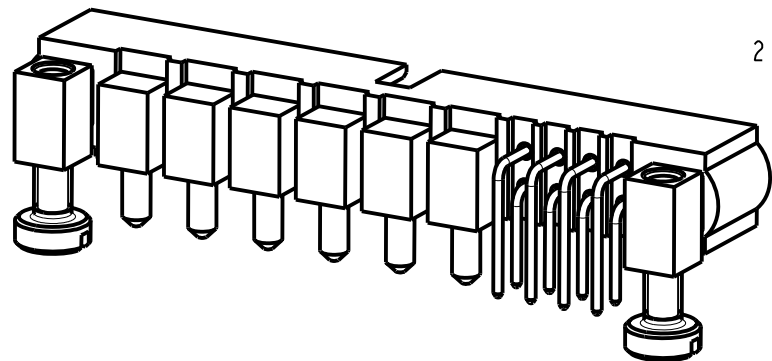
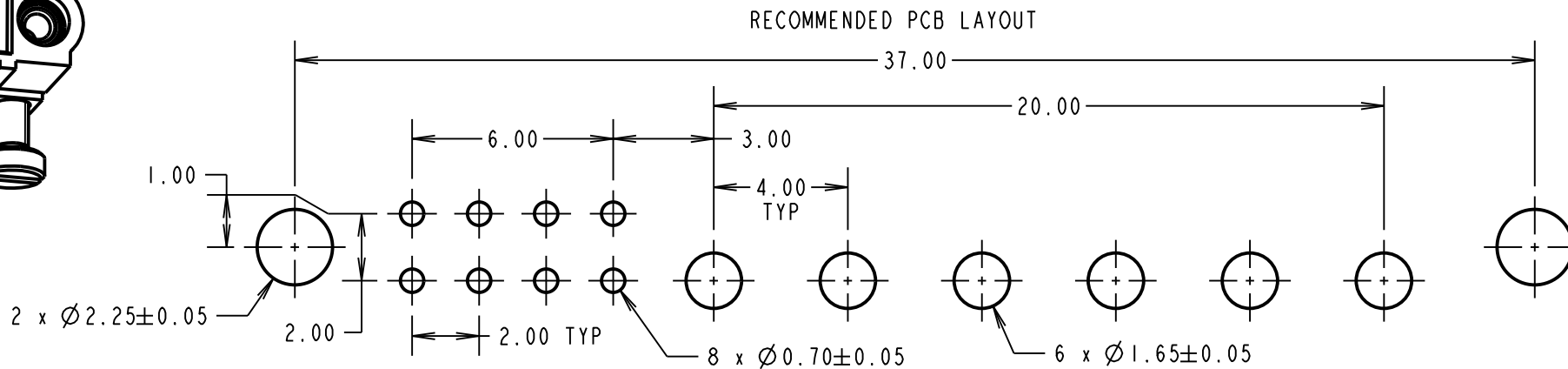
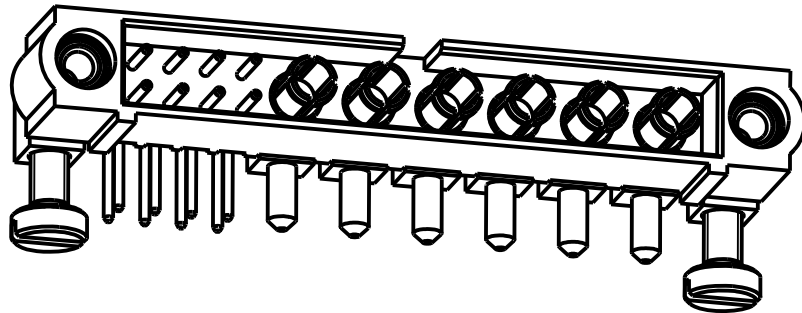
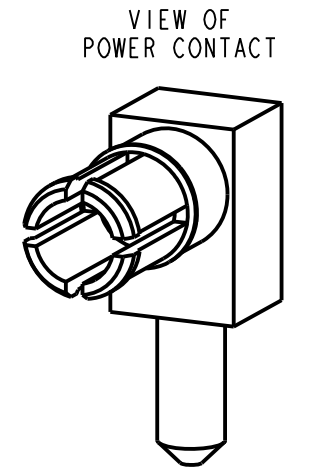
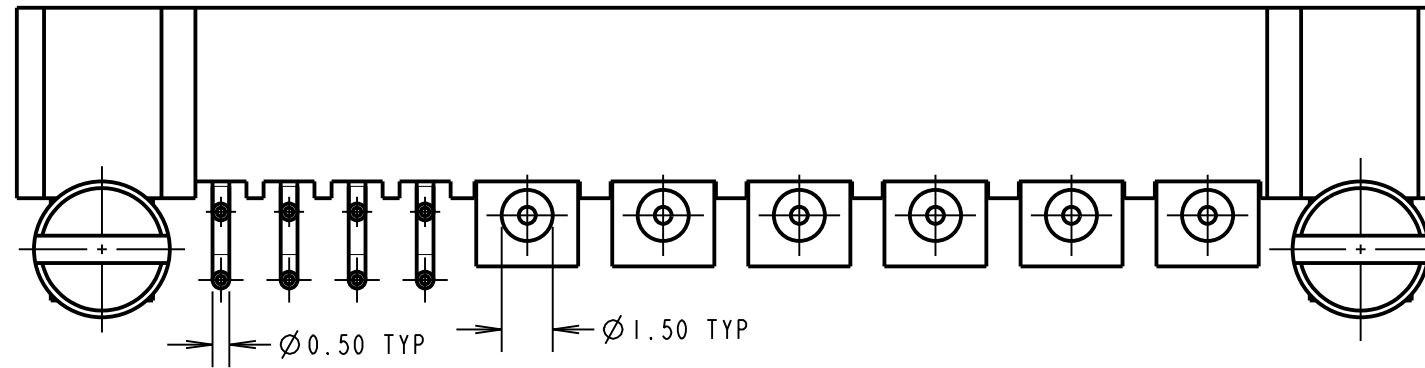
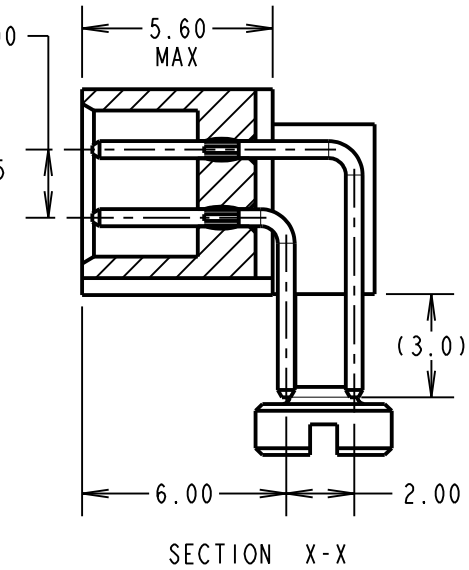
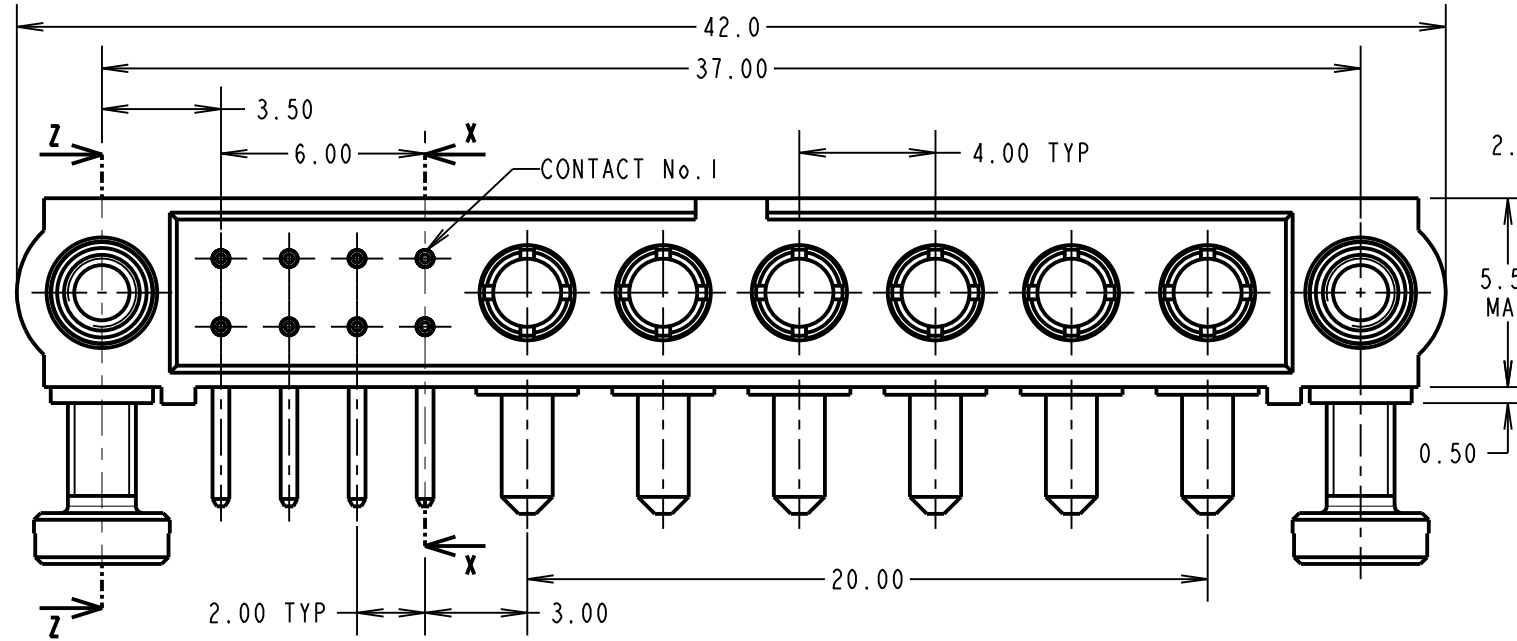
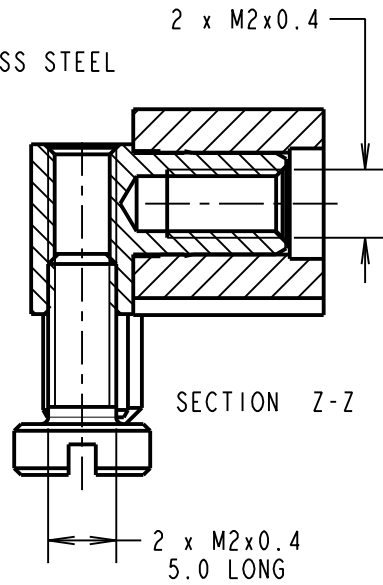
POWER CONTACT:
 Contact Resistance 6mΩ MAX
 Current Rating = 20A MAX

MECHANICAL:
 Durability = 500 OPERATIONS
 Signal Contact:
 Insertion Force = 2.0N MAX
 Withdrawal Force = 0.2N MIN
 Power Contact:
 Insertion Force = 8N MAX
 Withdrawal Force = 0.5N MIN

ENVIRONMENTAL:
 Temperature Range = -55°C TO +125°C

PACKING:
 TUBE
 FOR COMPLETE SPECIFICATION SEE COMPONENT SPECIFICATION C005XX (LATEST ISSUE)

NOTE:
 1. CONNECTORS ARE SUPPLIED WITH SCREWS LOOSE.



FM	2	13.09.17	13269
NAME	ISS.	DATE	C/NOTE
APPROVED:		F. MCGOWAN	
CHECKED:		S. BENNETT	
DRAWN:		R. ADDE	
CUSTOMER REF.:			
ASSEMBLY DRG.:			

<p>www.harwin.com technical@harwin.com</p>	<p>THIS DRAWING AND ANY INFORMATION OR DESCRIPTIVE MATTER SET OUT HEREON ARE CONFIDENTIAL AND COPYRIGHT PROPERTY OF THE HARWIN GROUP AND MUST NOT BE DISCLOSED, LOANED, COPIED OR USED FOR MANUFACTURING, TENDERING OR FOR ANY OTHER PURPOSE WITHOUT THEIR WRITTEN PERMISSION.</p>	<p>TOLERANCES</p> <p>X. = ±1mm X.X = ±0.50mm X.XX = ±0.10mm X.XXX = ±0.01mm</p> <p>ANGLES = ±5° UNLESS STATED</p>	<p>MATERIAL:</p> <p>SEE ABOVE</p>	<p>TITLE: JACKSCREW DATAMATE MIXED TECHNOLOGY PC TAIL MALE ASSEMBLY</p>
			<p>FINISH:</p> <p>SEE ABOVE</p>	<p>DRAWING NUMBER:</p> <p>M80-5L10842M5-06-333-00-000</p>