

Customer Information Sheet

IF IN DOUBT - ASK



NOT TO SCALE

THIRD ANGLE PROJECTION

ALL DIMENSIONS IN mm

SPECIFICATIONS:

MATERIAL:
 HOUSING = GLASS-FILLED PPS,
 UL94V-0, BLACK
 CONTACT = COPPER ALLOY
 JACKSCREW = STAINLESS STEEL

FINISH:
 CONTACT = GOLD

PACKING:
 LOOSE
 FOR COMPLETE SPECIFICATION, SEE COMPONENT
 SPECIFICATION C005XX (LATEST ISSUE)

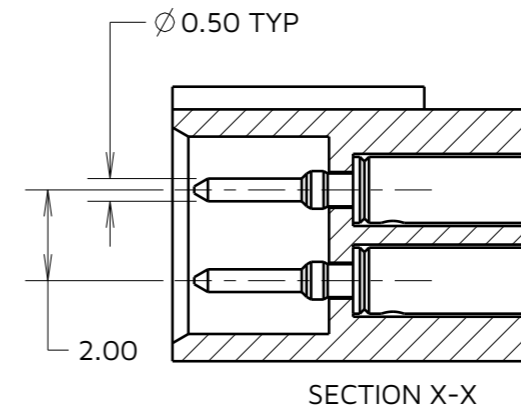
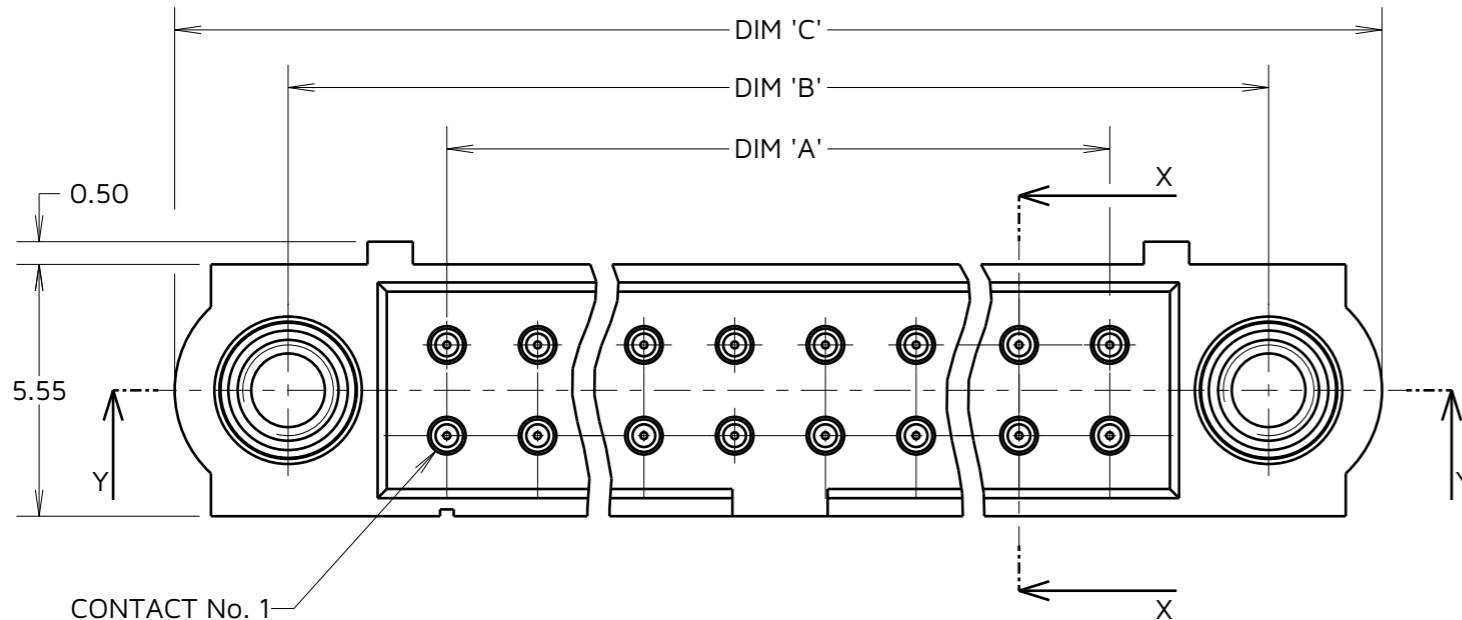
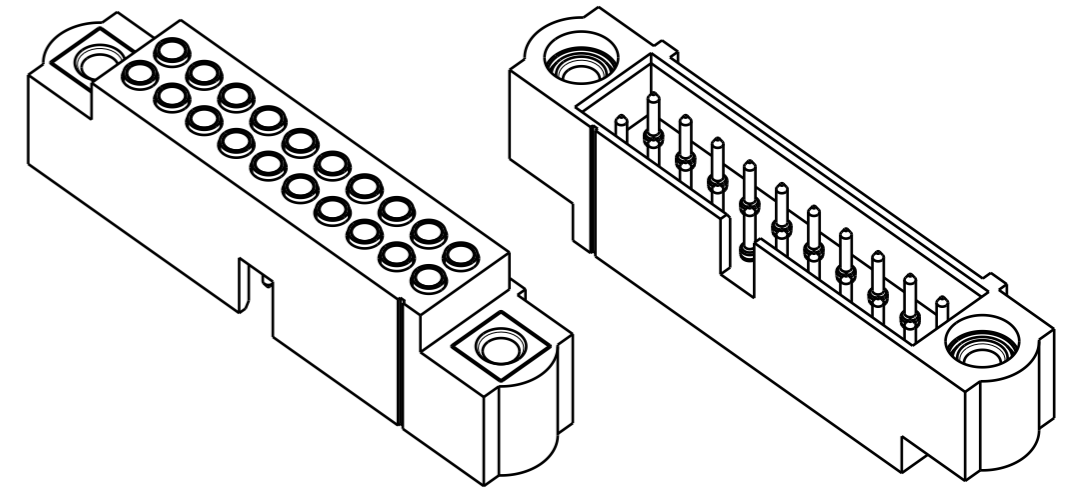
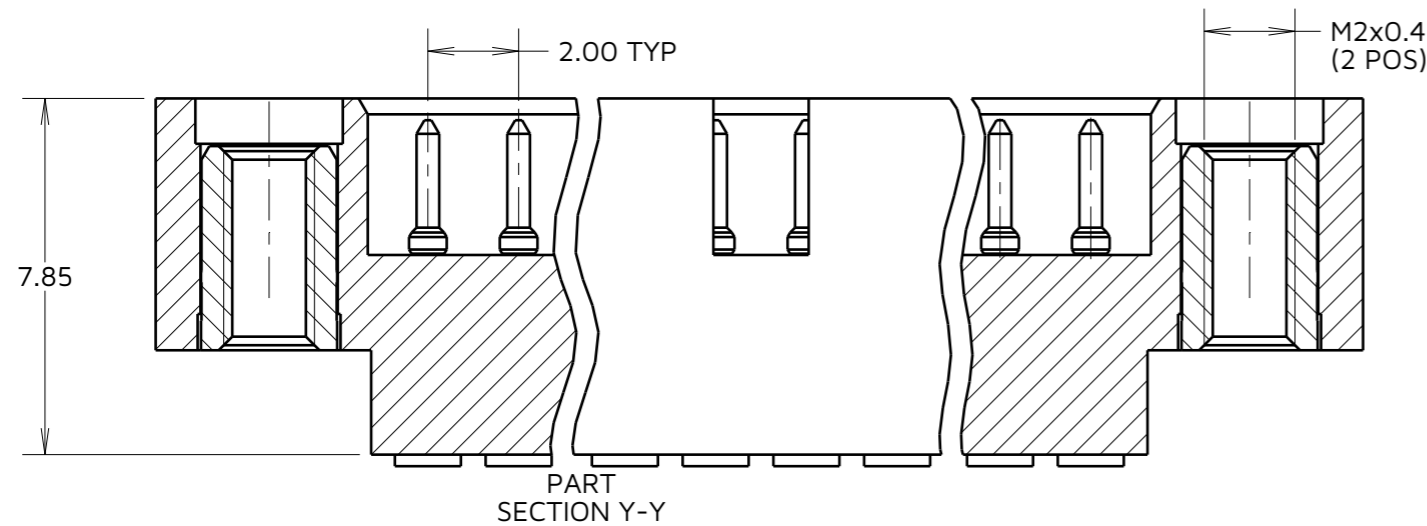


TABLE 1: DIMENSION VARIANTS			
PART No.	DIM 'A'	DIM 'B'	DIM 'C'
M80-5610405	2.00	9.00	14.0
M80-5610605	4.00	11.00	16.0
M80-5610805	6.00	13.00	18.0
M80-5611005	8.00	15.00	20.0
M80-5611205	10.00	17.00	22.0
M80-5611405	12.00	19.00	24.0
M80-5611605	14.00	21.00	26.0
M80-5611805	16.00	23.00	28.0
M80-5612005	18.00	25.00	30.0
M80-5612205	20.00	27.00	32.0
M80-5612405	22.00	29.00	34.0
M80-5612605	24.00	31.00	36.0
M80-5612805	26.00	33.00	38.0
M80-5613005	28.00	35.00	40.0
M80-5613205	30.00	37.00	42.0
M80-5613405	32.00	39.00	44.0
M80-5613605	34.00	41.00	46.0
M80-5613805	36.00	43.00	48.0
M80-5614005	38.00	45.00	50.0
M80-5614205	40.00	47.00	52.0
M80-5614405	42.00	49.00	54.0
M80-5614605	44.00	51.00	56.0
M80-5614805	46.00	53.00	58.0
M80-5615005	48.00	55.00	60.0



ORDER CODE:
M80-561XX05
 TOTAL No. OF CONTACTS →
 04 TO 50
 (EVEN NUMBERS ONLY)

JD	3	10.09.24	34310
NAME	ISS.	DATE	CN/CO
APPROVED: J.DEAN			
CHECKED: A.YEOMANS			
DRAWN: W. J. BOURNE			

- NOTES:**
- CONNECTORS ARE SUPPLIED WITH CONTACTS LOOSE.
 - FOR EXTRA CONTACTS, USE PART NUMBER M80-1950005.
 - RECOMMENDED WIRE TYPE = BS 3G 210 TYPE A, PTFE INSULATED 24-28 AWG. MAX INSULATION DIAMETER = ϕ 1.10mm, STRIP WIRE BY 2.00mm.
 - RECOMMENDED HAND CRIMP TOOL = M22520/2-01 WITH POSITIONER Z80-193. REFER TO INSTRUCTION SHEET IS-01 FOR COMPLETE CRIMPING INSTRUCTIONS.
 - CONTACT INSERTION AND EXTRACTION TOOL = Z80-280. REFER TO INSTRUCTION SHEET IS-25 FOR ASSEMBLY INSTRUCTIONS.
 - PART M80-5611605 USED FOR ILLUSTRATION ONLY.

HARWIN

www.harwin.com

TOLERANCES
 X. = \pm 1mm
 X.X = \pm 0.50mm
 X.XX = \pm 0.20mm
 X.XXX = \pm 0.01mm
 ANGLES = \pm 5°
 UNLESS STATED

THIS DRAWING AND ANY INFORMATION OR DESCRIPTIVE MATTER SET OUT HEREON ARE CONFIDENTIAL AND COPYRIGHT PROPERTY OF THE HARWIN GROUP AND MUST NOT BE DISCLOSED, LOANED, COPIED OR USED FOR MANUFACTURING, TENDERING OR FOR ANY OTHER PURPOSE WITHOUT THEIR WRITTEN PERMISSION.

MATERIAL:
 SEE ABOVE

TITLE:
 DATAMATE J TEK
 DIL CRIMP (SMALL BORE)
 MALE ASSEMBLY

DRAWING NUMBER:
 M80-561XX05

SHT
 2 OF 2