

# Customer Information Sheet

IF IN DOUBT - ASK

©

NOT TO SCALE

THIRD ANGLE PROJECTION

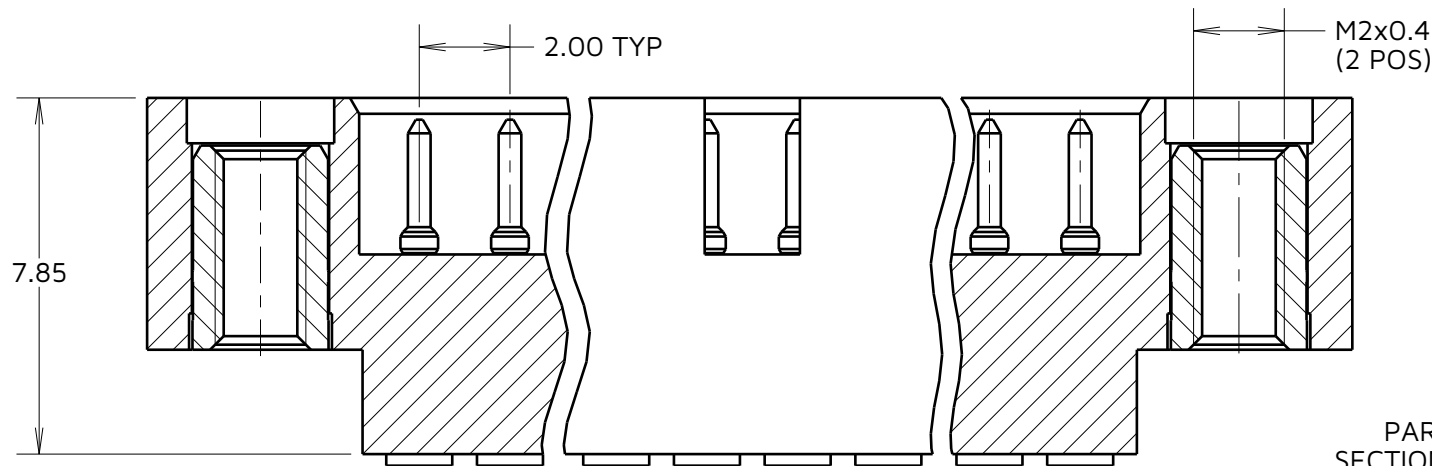
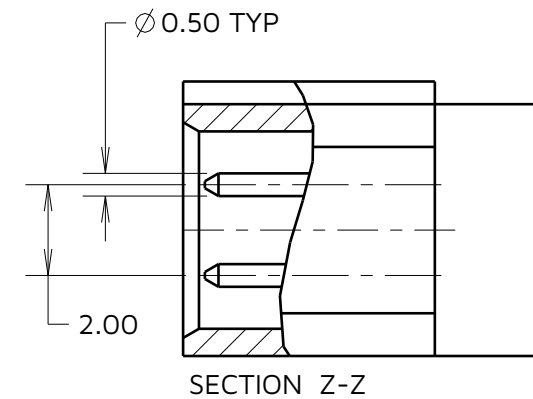
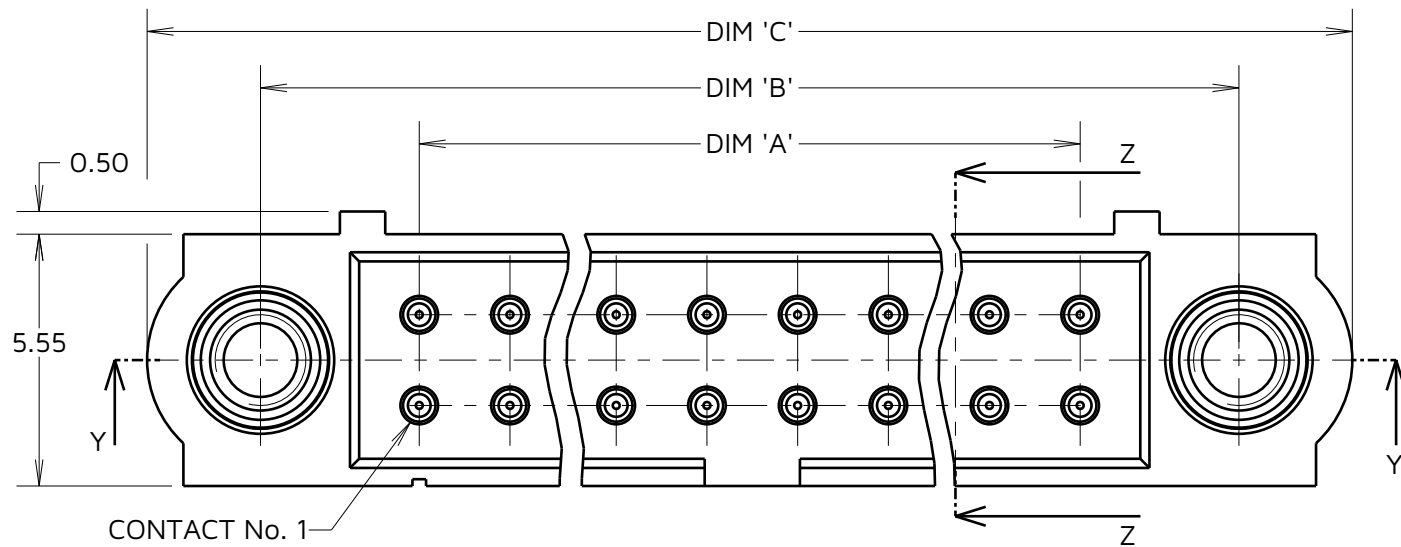
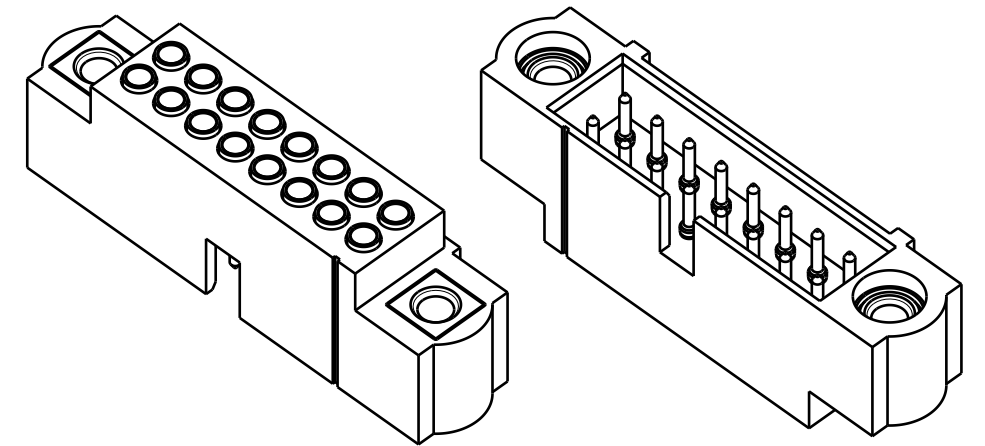
ALL DIMENSIONS IN mm

**SPECIFICATIONS:**

**MATERIAL:**  
HOUSING = GLASS-FILLED PPS,  
UL94V-0, BLACK  
CONTACT = BRASS

JACKSCREW = STAINLESS STEEL  
FINISH:  
CONTACT = GOLD

**PACKING:**  
LOOSE  
FOR COMPLETE SPECIFICATION, SEE COMPONENT  
SPECIFICATION CO05XX (LATEST ISSUE)



PART No.	DIM 'A'	DIM 'B'	DIM 'C'
M80-5600405	2.00	9.00	14.0
M80-5600605	4.00	11.00	16.0
M80-5600805	6.00	13.00	18.0
M80-5601005	8.00	15.00	20.0
M80-5601205	10.00	17.00	22.0
M80-5601405	12.00	19.00	24.0
M80-5601605	14.00	21.00	26.0
M80-5601805	16.00	23.00	28.0
M80-5602005	18.00	25.00	30.0
M80-5602405	20.00	27.00	32.0
M80-5602205	22.00	29.00	34.0
M80-5602605	24.00	31.00	36.0
M80-5602805	26.00	33.00	38.0
M80-5603005	28.00	35.00	40.0
M80-5603205	30.00	37.00	42.0
M80-5603405	32.00	39.00	44.0
M80-5603605	34.00	41.00	46.0
M80-5603805	36.00	43.00	48.0
M80-5604005	38.00	45.00	50.0
M80-5604205	40.00	47.00	52.0
M80-5604405	42.00	49.00	54.0
M80-5604605	44.00	51.00	56.0
M80-5604805	46.00	53.00	58.0
M80-5605005	48.00	55.00	60.0

ORDER CODE:  
**M80-560XX05**

TOTAL No. OF CONTACTS  
04 TO 50  
(EVEN NUMBERS ONLY)

JD	4	09.09.24	34310
NAME	ISS.	DATE	CN/CO
APPROVED: J.DEAN			
CHECKED: A.YEOMANS			
DRAWN: W. J. BOURNE			

- NOTES:**
- CONNECTORS ARE SUPPLIED WITH CONTACTS LOOSE.
  - FOR EXTRA CONTACTS, USE PART NUMBER M80-1940005.
  - RECOMMENDED WIRE TYPE = BS 3G 210 TYPE A, PTFE INSULATED 22 AWG. MAX INSULATION DIAMETER =  $\phi$ 1.10mm, STRIP WIRE BY 2.00mm.
  - RECOMMENDED HAND CRIMP TOOL = M22520/2-01 WITH POSITIONER Z80-193. REFER TO TOOLING INSTRUCTION SHEET IS-01 FOR COMPLETE CRIMPING INSTRUCTIONS.
  - CONTACT INSERTION AND EXTRACTION TOOL = Z80-280. REFER TO TOOLING INSTRUCTION SHEET IS-25 FOR ASSEMBLY INSTRUCTIONS.
  - PART M80-5601605 SHOWN FOR ILLUSTRATION PURPOSES ONLY.

**HARWIN**

www.harwin.com

**TOLERANCES**  
X. =  $\pm$ 1mm  
X.X =  $\pm$ 0.50mm  
X.XX =  $\pm$ 0.20mm  
X.XXX =  $\pm$ 0.01mm  
ANGLES =  $\pm$ 5°  
UNLESS STATED

THIS DRAWING AND ANY INFORMATION OR DESCRIPTIVE MATTER SET OUT HEREON ARE CONFIDENTIAL AND COPYRIGHT PROPERTY OF THE HARWIN GROUP AND MUST NOT BE DISCLOSED, LOANED, COPIED OR USED FOR MANUFACTURING, TENDERING OR FOR ANY OTHER PURPOSE WITHOUT THEIR WRITTEN PERMISSION.

**MATERIAL:**  
SEE ABOVE

**TITLE:** DATAMATE J-TEK  
DIL CRIMP (LARGE BORE)  
MALE ASSEMBLY

DRAWING NUMBER:  
**M80-560XX05**

SHT  
2 OF 2