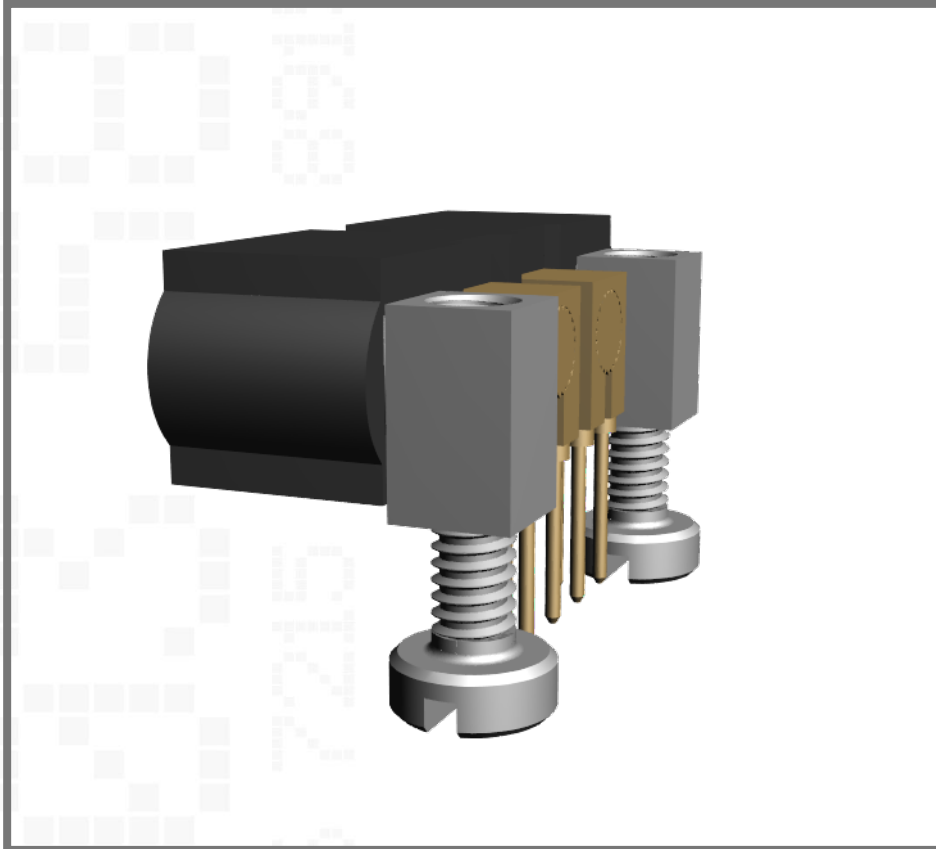


M80-5000000M5-02-314-00-000

Datamate Coax SIL Male Horizontal PC Tail Connector, 4mm pitch



Single row, Board Mount Jackscrews, 4.5mm tail, Gold finish, 2 contacts

Technical Drawing:

[M80-5000000M5-XX-314-00-000.pdf](#)

Website

[M80-5000000M5-02-314-00-000](#)

Component Specification:

[C005XX](#)

[Request an evaluation sample](#)