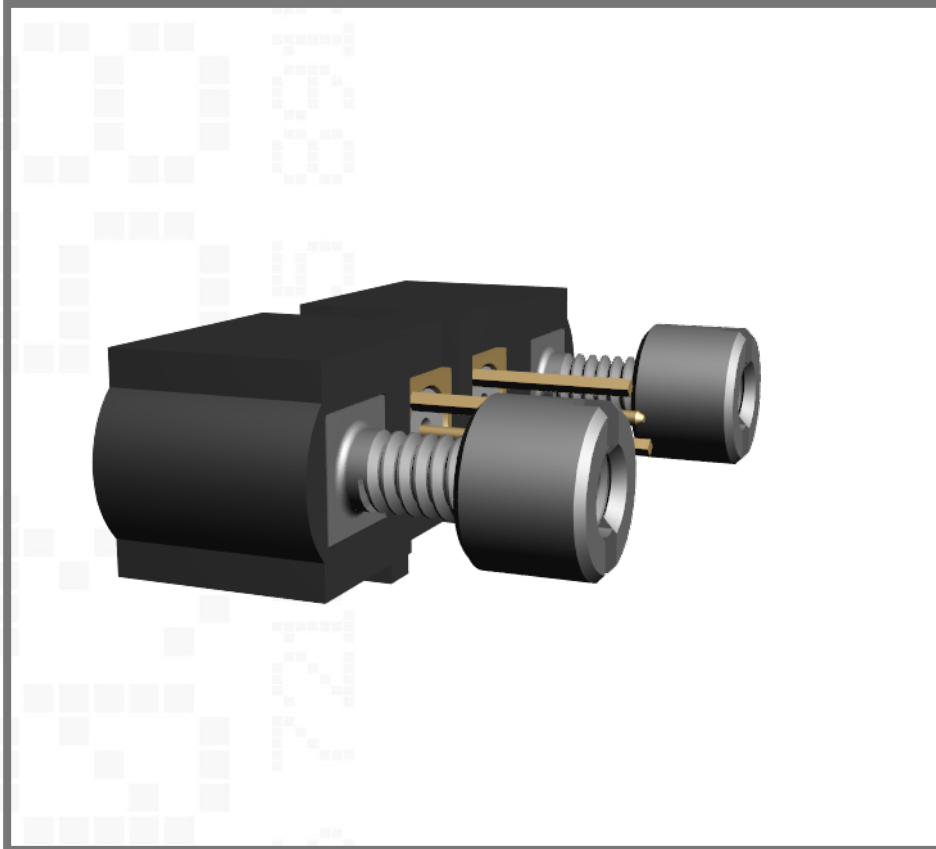


M80-5000000M3-02-312-00-000

Datamate Coax SIL Male Vertical PC Tail Connector, 4mm pitch



Technical Drawing:

[M80-5000000M3-XX-312-00-000.pdf](#)

Website

[M80-5000000M3-02-312-00-000](#)

Component Specification:

[C005XX](#)

[Request an evaluation sample](#)

Single row, Board Mount Jackscrews, 4.5mm tail, Gold finish, 2 contacts