

# Customer Information Sheet

DRAWING No.: M80-500000000-04-331-02-311

SHEET 2 OF 2

IF IN DOUBT - ASK

©

NOT TO SCALE

THIRD ANGLE PROJECTION

ALL DIMENSIONS IN mm

## SPECIFICATIONS:

### MATERIAL:

MOULDING: GLASS FILLED PPS, UL94V-0, BLACK  
 POWER CONTACT: COPPER ALLOY  
 COAX CONTACT:  
 BODY = COPPER ALLOY  
 INNER CONTACT = PHOSPHOR BRONZE  
 INSULATOR = PTFE

### FINISH:

POWER CONTACT: GOLD  
 COAX CONTACT: BODY, INNER CONTACT = GOLD

### ELECTRICAL:

WORKING VOLTAGE = 120V AC/DC  
 VOLTAGE PROOF = 360V AC/DC  
 INSULATION RESISTANCE = 100M $\Omega$  MIN  
 POWER CONTACT:  
 CONTACT RESISTANCE 6 m $\Omega$  MAX  
 CURRENT RATING = 20A MAX  
 COAX CONTACT:  
 FREQUENCY RANGE = 6GHz  
 IMPEDANCE = 50  $\Omega$   
 V.S.W.R = 1.05 + (0.04 x FREQUENCY) GHz MAX  
 CONTACT RESISTANCE 6 m $\Omega$  MAX

INSULATION RESISTANCE = 10<sup>6</sup>M $\Omega$  @250V AC  
 OPERATING VOLTAGE = 180V AC @ 500mA  
 MAXIMUM VOLTAGE = 1000V AC

### MECHANICAL:

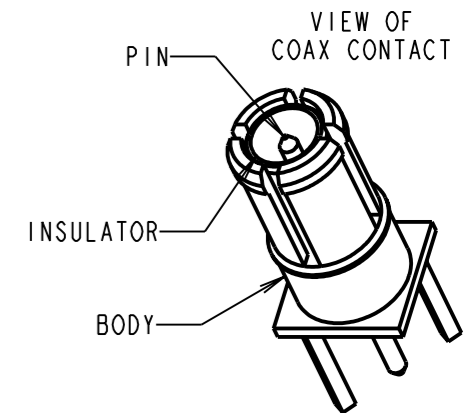
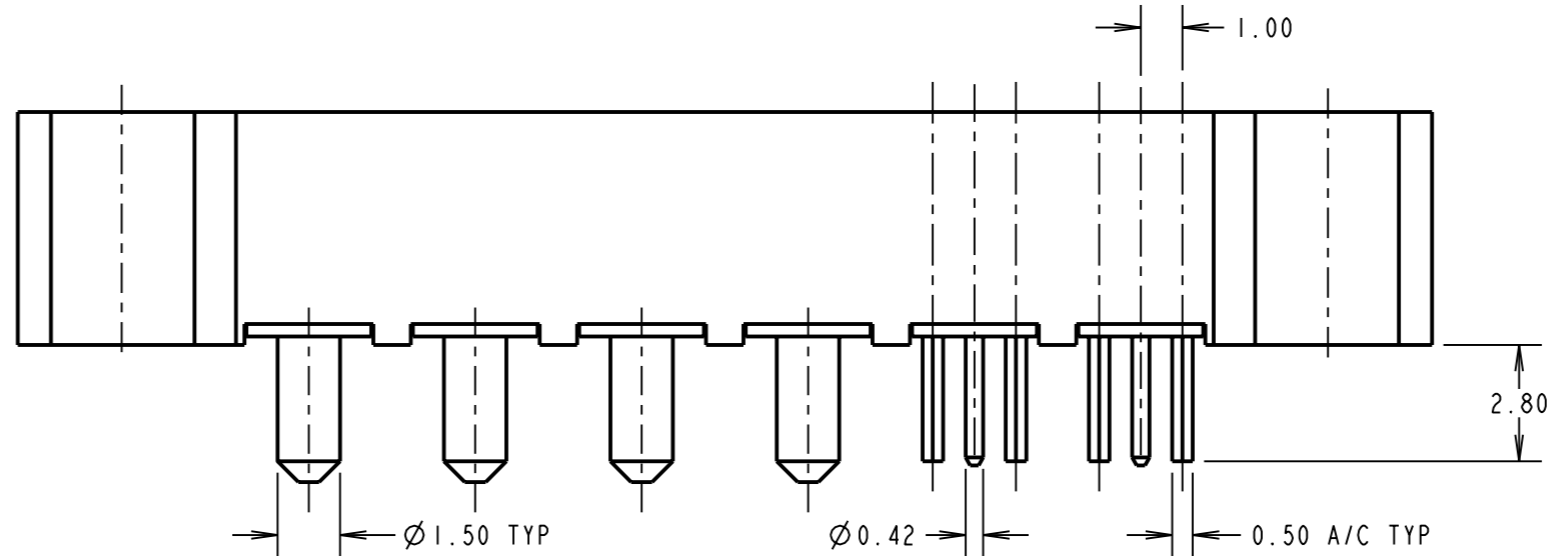
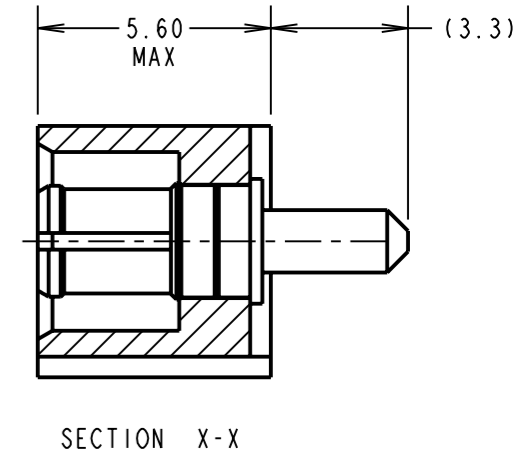
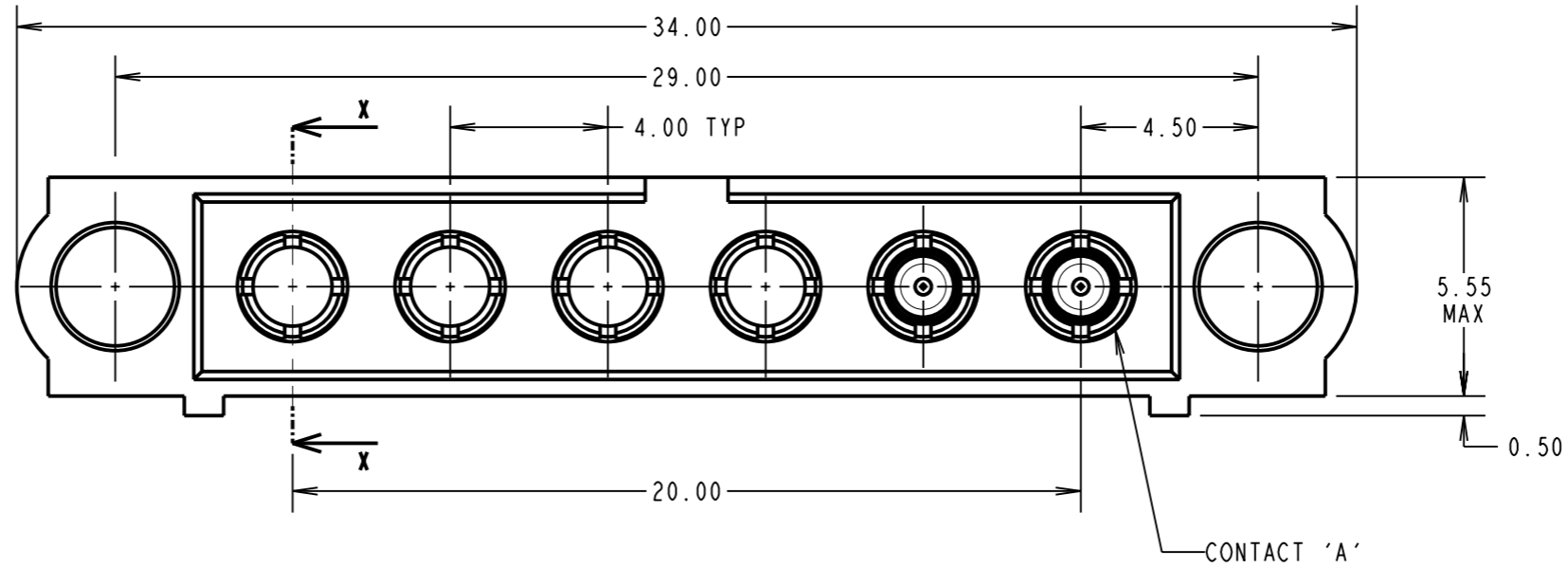
DURABILITY = 500 OPERATIONS  
 POWER CONTACT:  
 INSERTION FORCE = 5N MAX  
 WITHDRAWAL FORCE = 0.5N MIN  
 COAX CONTACT:  
 INSERTION FORCE = 5N MAX  
 WITHDRAWAL FORCE = 0.5N MIN

### ENVIRONMENTAL:

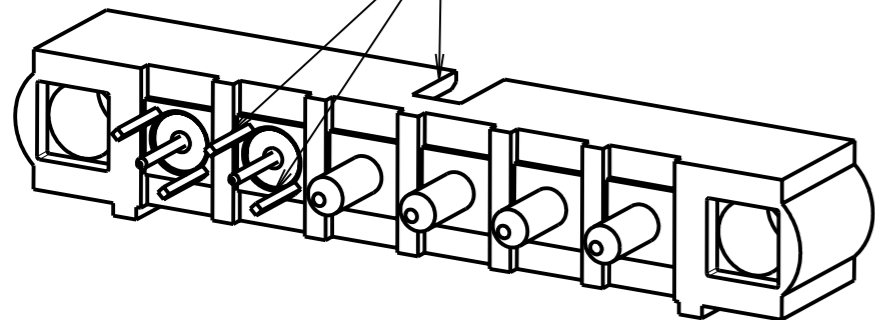
TEMPERATURE RANGE = -55°C TO +125°C

### PACKING:

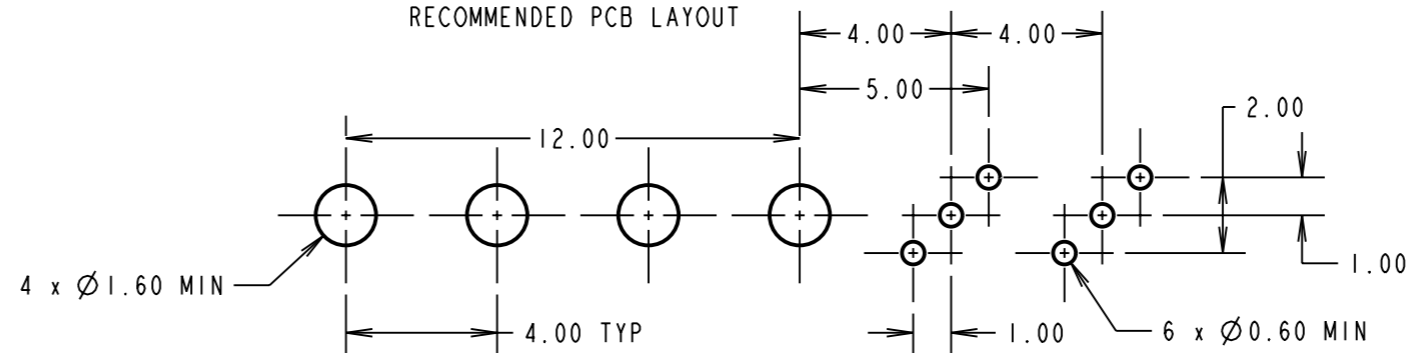
TUBE  
 FOR COMPLETE SPECIFICATION SEE COMPONENT  
 SPECIFICATION C005XX (LATEST ISSUE)



ORIENTATION OF COAX CONTACTS  
 MUST BE AS SHOWN



### RECOMMENDED PCB LAYOUT



SB	2	25.05.11	11275
NAME	ISS.	DATE	C/NOTE
APPROVED: S. BENNETT			
CHECKED: S. FLOWER			
DRAWN: R. ADDE			
CUSTOMER REF.:			
ASSEMBLY DRG:			

**HARWIN**

HARWIN USA  
 TEL: 603 893 5376  
 FAX: 603 893 5396  
 mis@harwin.com

HARWIN Europe (UK)  
 TEL: 023 9231 4545  
 FAX: 023 9231 4590  
 mis@harwin.co.uk

HARWIN Asia  
 TEL: +65 6 779 4909  
 FAX: +65 6 779 3868  
 mis@harwin.com.sg

THIS DRAWING AND ANY  
 INFORMATION OR DESCRIPTIVE  
 MATTER SET OUT HEREON ARE  
 CONFIDENTIAL AND COPYRIGHT  
 PROPERTY OF THE HARWIN  
 GROUP AND MUST NOT BE  
 DISCLOSED, LOANED, COPIED  
 OR USED FOR MANUFACTURING,  
 TENDERING OR FOR ANY  
 OTHER PURPOSE WITHOUT  
 THEIR WRITTEN PERMISSION.

### TOLERANCES

X. =  $\pm 1$ mm  
 X.X =  $\pm 0.25$ mm  
 X.XX =  $\pm 0.10$ mm  
 X.XXX =  $\pm 0.01$ mm  
 ANGLES =  $\pm 5^\circ$   
 UNLESS STATED

### MATERIAL:

SEE ABOVE

### FINISH:

SEE ABOVE

### S/AREA:

mm<sup>2</sup>

### TITLE:

DATAMATE MIX-TEK  
 PC TAIL MALE ASSEMBLY

### DRAWING NUMBER:

M80-500000000-04-331-02-311

### SHT

2 OF 2