

# Customer Information Sheet

DRAWING No.: M80-4TEXXXXF3

IF IN DOUBT - ASK

©

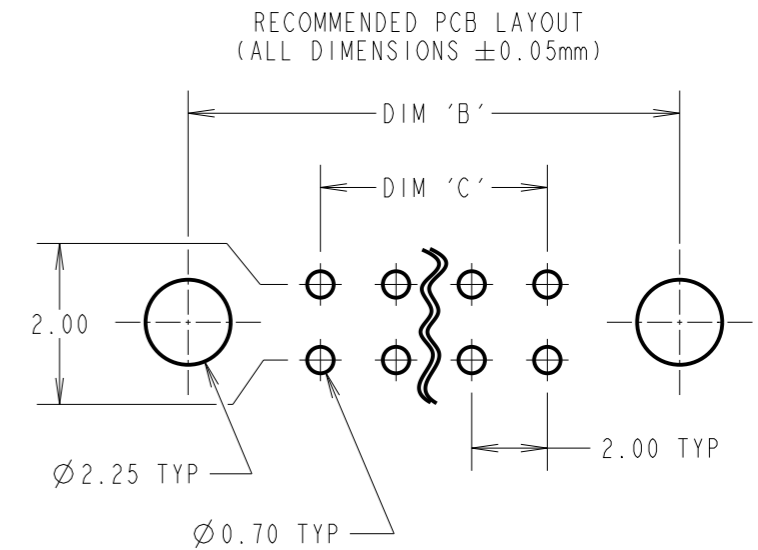
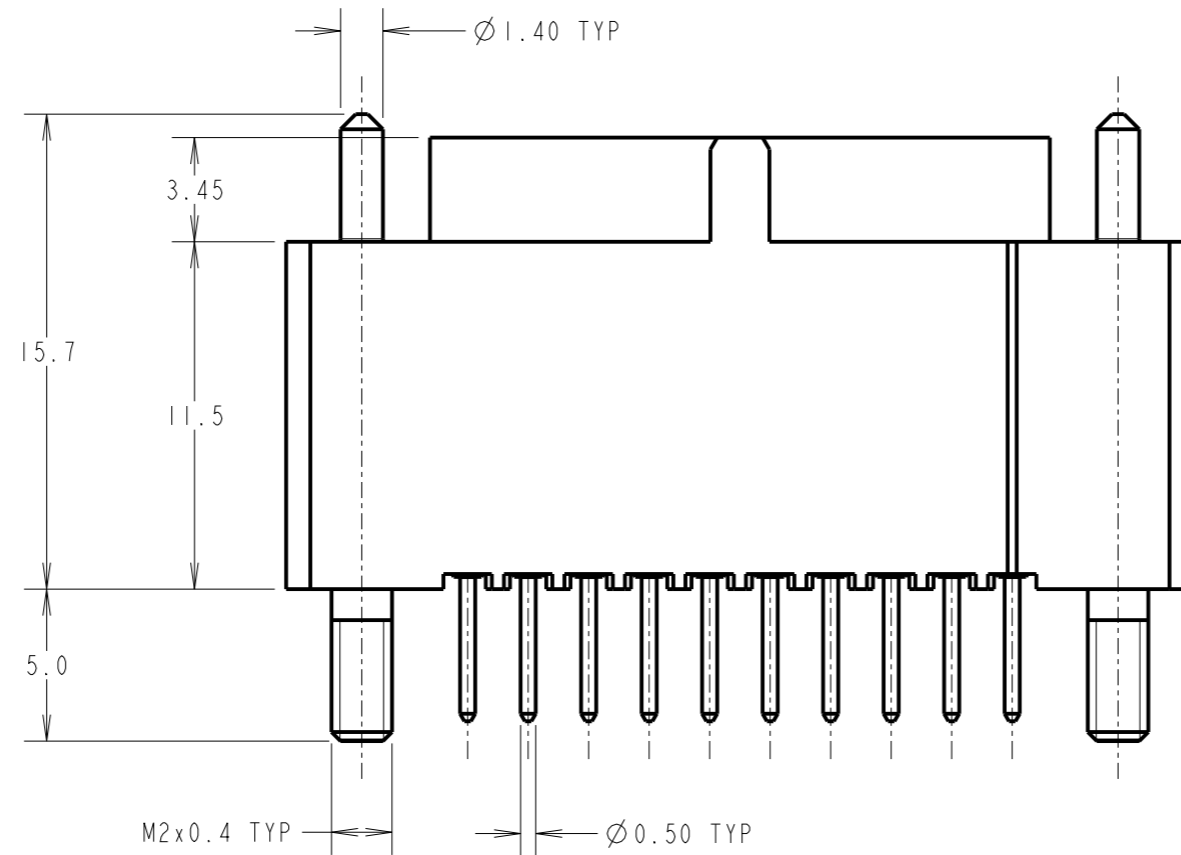
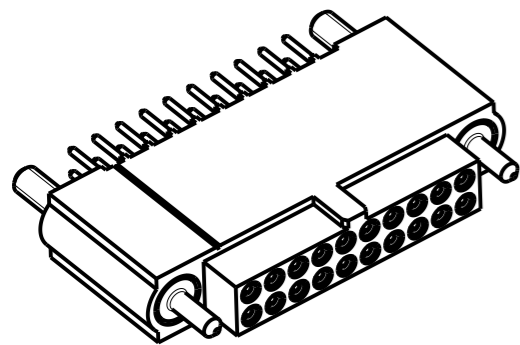
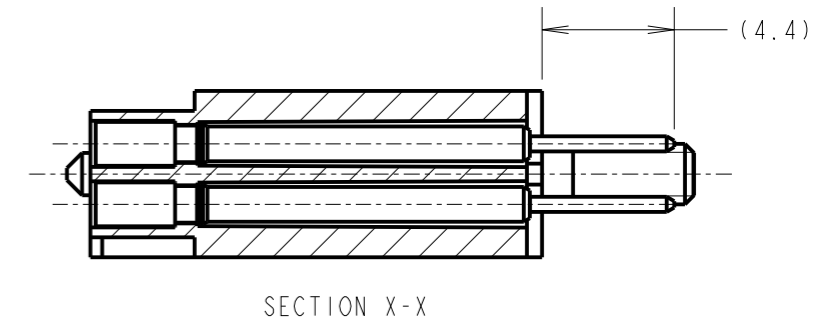
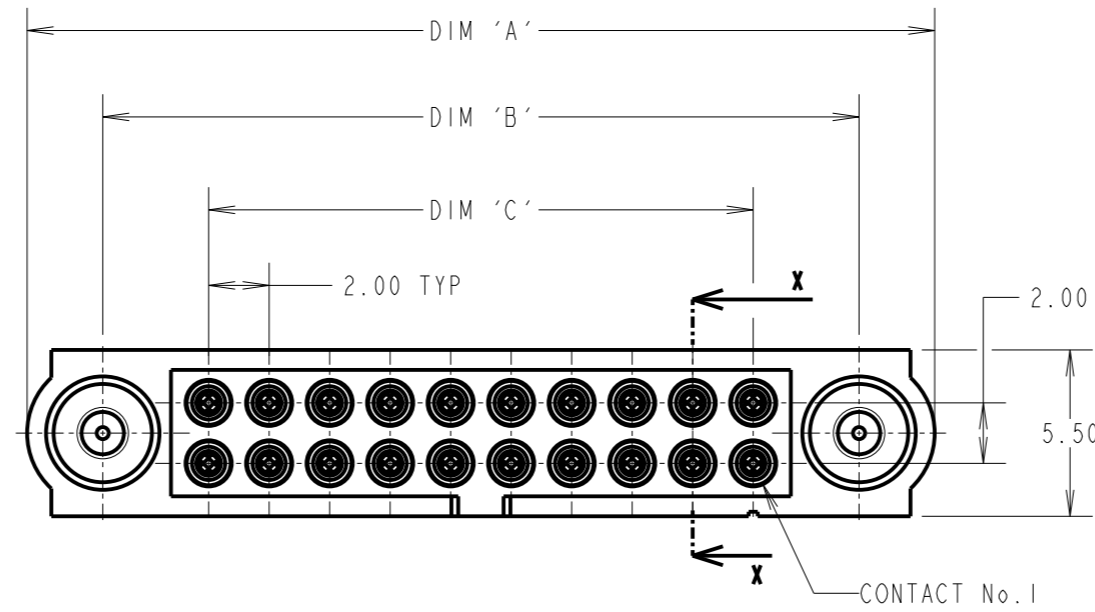
NOT TO SCALE

THIRD ANGLE PROJECTION

ALL DIMENSIONS IN mm

**SPECIFICATIONS:**

**MATERIAL:**  
 HOUSING = GLASS-FILLED PPS, UL94V-0, BLACK  
 CONTACT CLIP = BERYLLIUM COPPER  
 CONTACT SHELL = BRASS  
 GUIDE PINS = STAINLESS STEEL  
**FINISH SEE ORDER CODE:**  
 05= GOLD CLIP, GOLD SHELL  
 42= GOLD CLIP, TIN SHELL  
**PACKING:**  
 TUBE  
 FOR COMPLETE SPECIFICATION SEE  
 COMPONENT SPEC C005XX (LATEST ISSUE)



DIMENSION	CALCULATION
DIM 'A'	TOTAL No. OF CONTACTS + 10.0
DIM 'B'	TOTAL No. OF CONTACTS + 5.0
DIM 'C'	TOTAL No. OF CONTACTS - 2.0

ORDER CODE:

**M80-4TEXXXXF3**

TOTAL No. OF CONTACTS:  
10, 20, 30

FINISH:  
05 - GOLD  
42 - GOLD CONTACT TIN TAILS

RA	1	15.06.22	31647
NAME	ISS.	DATE	CN/CO
APPROVED:		R.ALEXANDER	
CHECKED:		M.RUDKIN	
DRAWN:		M.RUDKIN	
CUSTOMER REF.:			
ASSEMBLY DRG:			

**NOTES:**  
 1. OVERALL HEIGHT WHEN MATED WITH MALE VERTICAL PC-TAIL = 17.15mm.  
 2. RECOMMENDED WITH BOARD MOUNT NUTS. ORDER SEPARATELY  
 PART NUMBERS:  
 M80-2130000B OR M80-2430000B



THIS DRAWING AND ANY INFORMATION OR DESCRIPTIVE MATTER SET OUT HEREON ARE CONFIDENTIAL AND COPYRIGHT PROPERTY OF THE HARWIN GROUP AND MUST NOT BE DISCLOSED, LOANED, COPIED OR USED FOR MANUFACTURING, TENDERING OR FOR ANY OTHER PURPOSE WITHOUT THEIR WRITTEN PERMISSION.

**TOLERANCES**  
 X. = ±1mm  
 X.X = ±0.50mm  
 X.XX = ±0.20mm  
 X.XXX = ±0.01mm  
 ANGLES = ±5°  
 UNLESS STATED

**MATERIAL:**  
SEE ABOVE  
**FINISH:** SEE ABOVE  
**S/AREA:** mm<sup>2</sup>

**TITLE:**  
DATAMATE J-TEK 17.15mm  
EXTENDED SOCKETS  
**DRAWING NUMBER:**  
M80-4TEXXXXF3  
 SHT 3 OF 3