

# Customer Information Sheet

DRAWING No.: M80-4T21201F3-04-302-00-000

SHEET 2 OF 2

IF IN DOUBT - ASK

(C)

NOT TO SCALE

THIRD ANGLE PROJECTION

ALL DIMENSIONS IN mm

## SPECIFICATIONS:

### MATERIAL:

MOULDING = GLASS FILLED PPS, UL94V-0, BLACK

### SIGNAL CONTACT:

CLIP = BERYLLIUM COPPER  
SHELL = COPPER ALLOY

### COAX CONTACT:

BODY = COPPER ALLOY  
INNER CONTACT = BERYLLIUM COPPER  
INSULATOR = PTFE

BOARD-MOUNT GUIDE, NUT = STAINLESS STEEL

### FINISH:

SIGNAL CONTACT:  
CLIP = 0.3µ GOLD  
SHELL = 3.5-5.0µ 90/10 TIN/LEAD

COAX CONTACT: BODY, INNER CONTACT = GOLD

### ELECTRICAL:

WORKING VOLTAGE = 800V AC/DC

VOLTAGE PROOF = 1200V AC/DC

INSULATION RESISTANCE = 100MΩ MIN

### SIGNAL CONTACT:

CURRENT RATING AT 25°C = 3.0A MAX

CURRENT RATING AT 85°C = 2.2A MAX

CONTACT RESISTANCE = 25mΩ MAX

### COAX CONTACT:

FREQUENCY RANGE = 6GHz

IMPEDANCE = 50Ω

V.S.W.R = 1.05 + (0.04 x FREQUENCY) GHz MAX

CONTACT RESISTANCE 6mΩ MAX

INSULATION RESISTANCE = 10<sup>6</sup>MΩ @250V AC

OPERATING VOLTAGE = 180V AC @ 500mA

MAXIMUM VOLTAGE = 1000V AC

### MECHANICAL:

DURABILITY = 500 OPERATIONS

### SIGNAL CONTACT:

INSERTION FORCE = 2.0N MAX

WITHDRAWAL FORCE = 0.2N MIN

### COAX CONTACT:

INSERTION FORCE = 8N MAX

WITHDRAWAL FORCE = 0.5N MIN

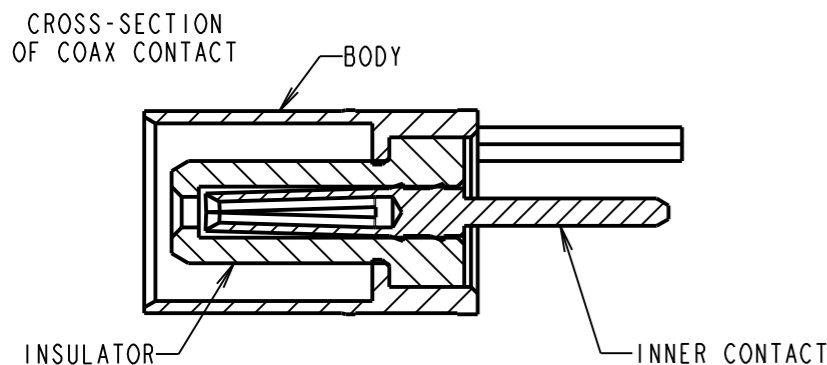
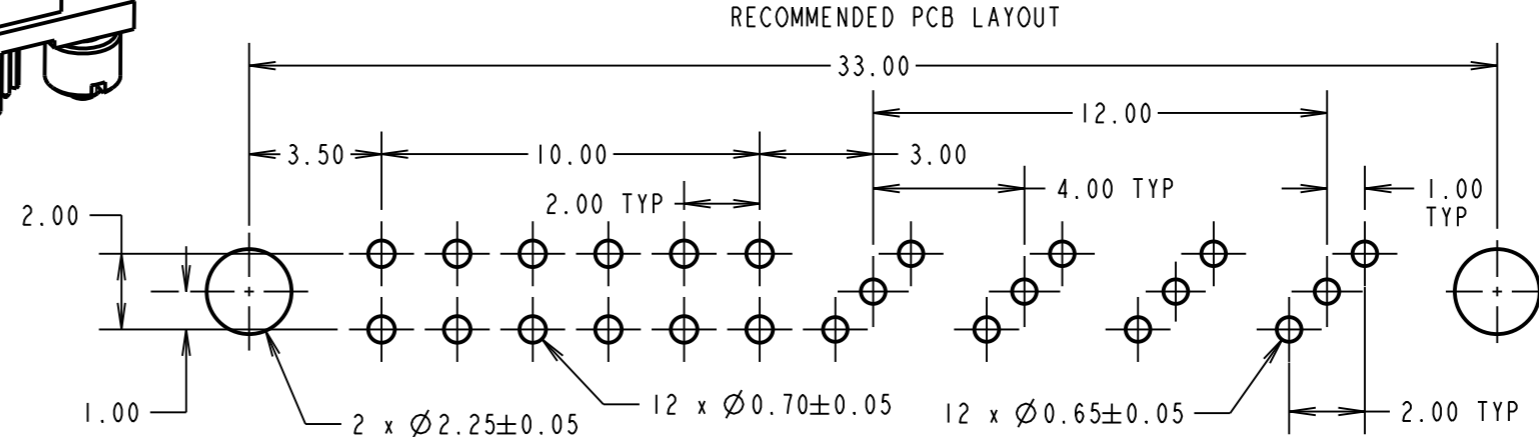
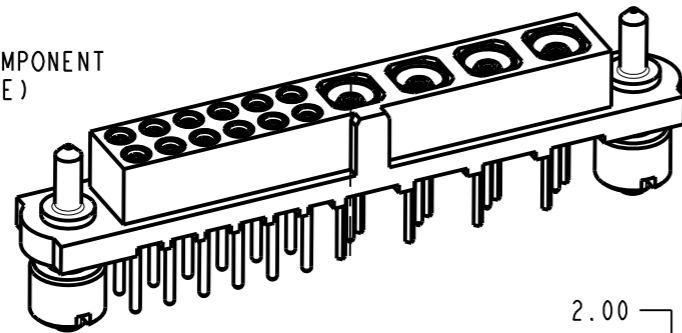
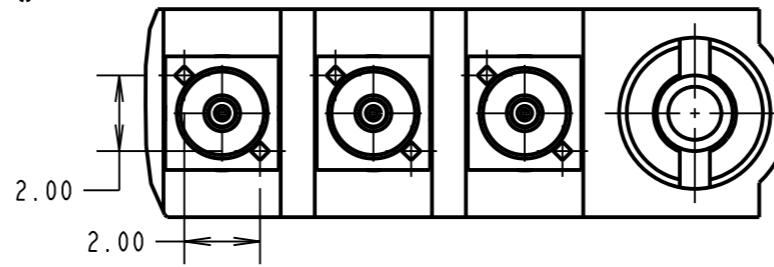
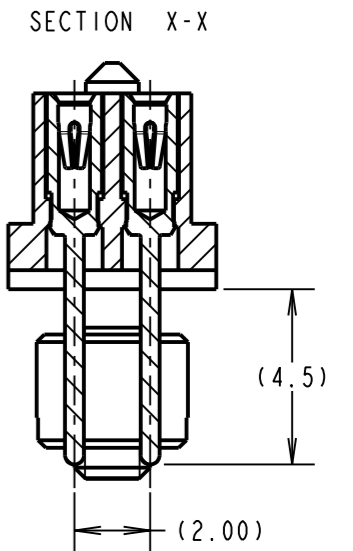
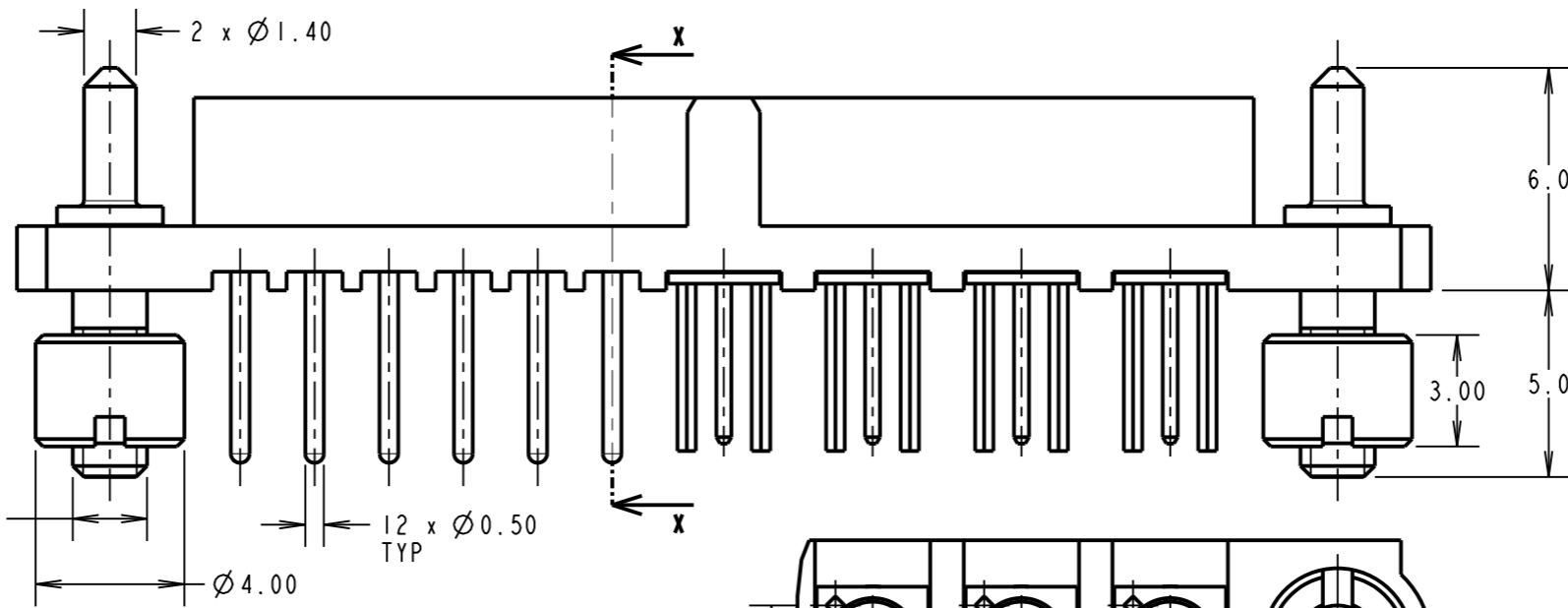
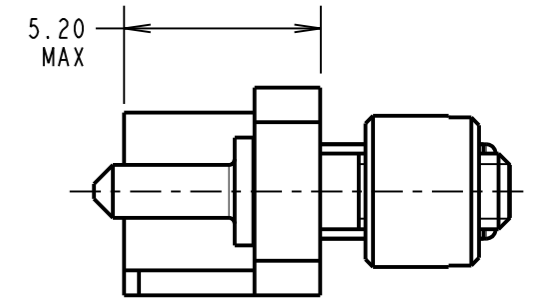
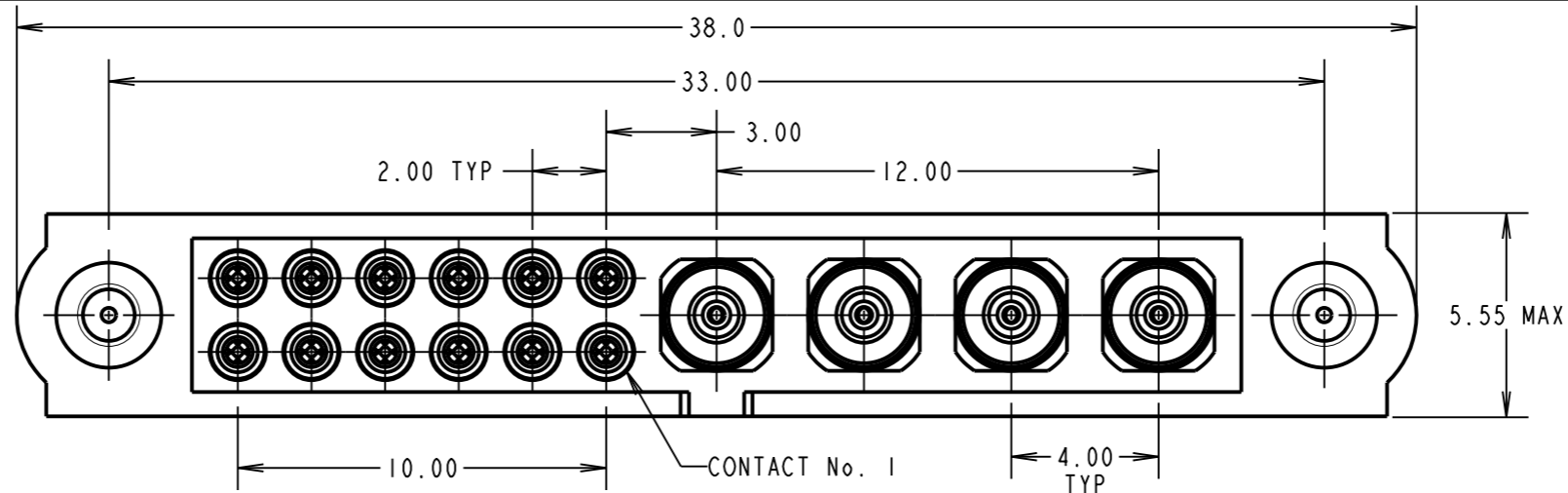
### ENVIRONMENTAL:

TEMPERATURE RANGE = -55°C TO +125°C

### PACKING:

TUBE

FOR COMPLETE SPECIFICATION SEE COMPONENT SPECIFICATION C005XX (LATEST ISSUE)



MSP	2	12.07.17	13269
NAME	ISS.	DATE	C/NOTE
APPROVED: M.PERREN			
CHECKED: S.BENNETT			
DRAWN: S.MCCULLAGH			
CUSTOMER REF.:			
ASSEMBLY DRG:			

# HARWIN

www.harwin.com  
technical@harwin.com

THIS DRAWING AND ANY INFORMATION OR DESCRIPTIVE MATTER SET OUT HEREON ARE CONFIDENTIAL AND COPYRIGHT PROPERTY OF THE HARWIN GROUP AND MUST NOT BE DISCLOSED, LOANED, COPIED OR USED FOR MANUFACTURING, TENDERING OR FOR ANY OTHER PURPOSE WITHOUT THEIR WRITTEN PERMISSION.

### TOLERANCES

X. = ±1mm  
X.X = ±0.25mm  
X.XX = ±0.10mm  
X.XXX = ±0.01mm  
ANGLES = ±5°  
UNLESS STATED

### MATERIAL:

SEE ABOVE

### FINISH:

SEE ABOVE

### S/AREA:

mm<sup>2</sup>

TITLE: JACKSCREW DATAMATE  
MIXED TECHNOLOGY VERTICAL  
PC TAIL FEMALE ASSEMBLY

### DRAWING NUMBER:

M80-4T21201F3-04-302-00-000

SHT  
2 OF 2