

# Customer Information Sheet

DRAWING No.: M80-4T1020IF1-02-321-02-321

SHEET 2 OF 2

IF IN DOUBT - ASK

©

NOT TO SCALE

THIRD ANGLE PROJECTION

ALL DIMENSIONS IN mm

## SPECIFICATIONS:

**MATERIAL:**  
 MOULDING = GLASS FILLED PPS, UL94V-0, BLACK

**SIGNAL CONTACT:**  
 CLIP = BERYLIUM COPPER  
 SHELL = BRASS

**POWER CONTACT = BRASS**  
**JACKSCREW, CIRCLIP = STAINLESS STEEL**

**FINISH:**  
**SIGNAL CONTACT:**  
 CLIP = 0.3µ GOLD OVER NICKEL  
 SHELL = 3.5-5.0µ TIN/LEAD OVER NICKEL

**POWER CONTACT = GOLD OVER NICKEL**

**ELECTRICAL:**  
 WORKING VOLTAGE = 800V AC/DC  
 VOLTAGE PROOF = 1200V AC/DC  
 INSULATION RESISTANCE = 100MΩ MIN  
**SIGNAL CONTACT:**  
 CURRENT RATING AT 25°C = 3.0A MAX  
 CURRENT RATING AT 85°C = 2.2A MAX  
 CONTACT RESISTANCE = 25mΩ MAX

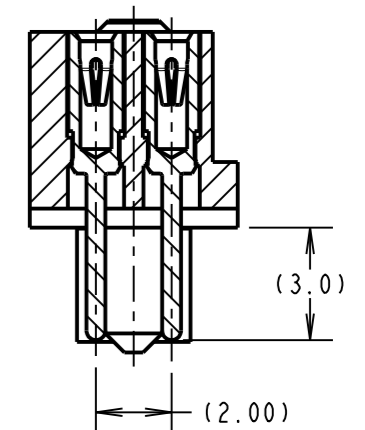
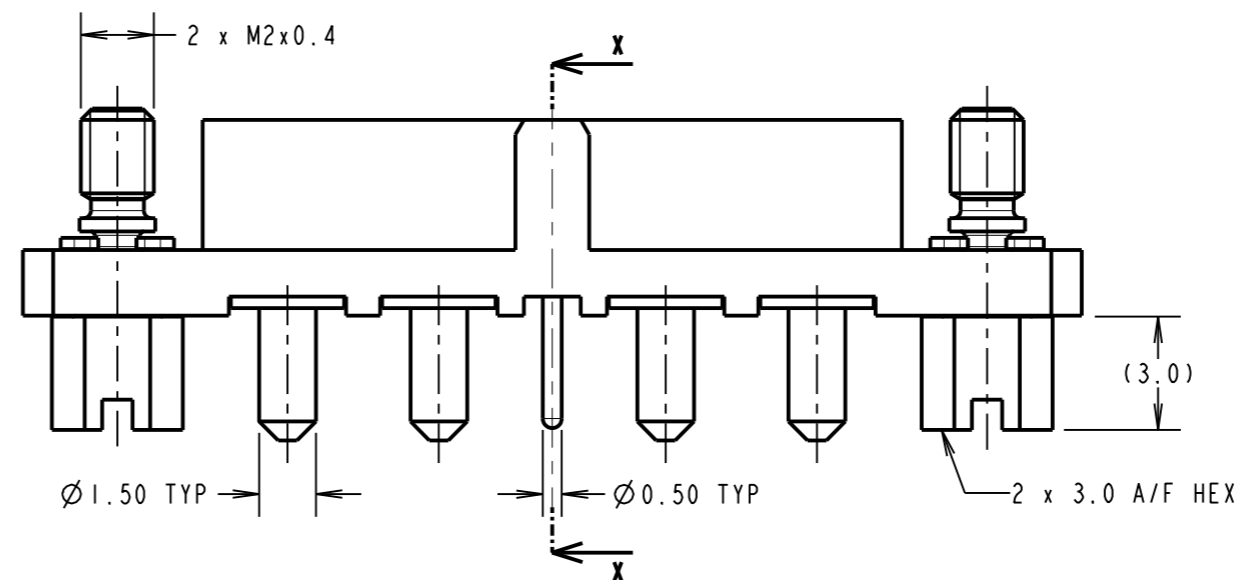
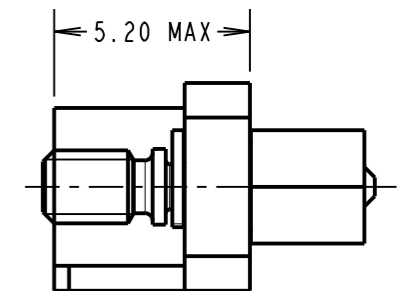
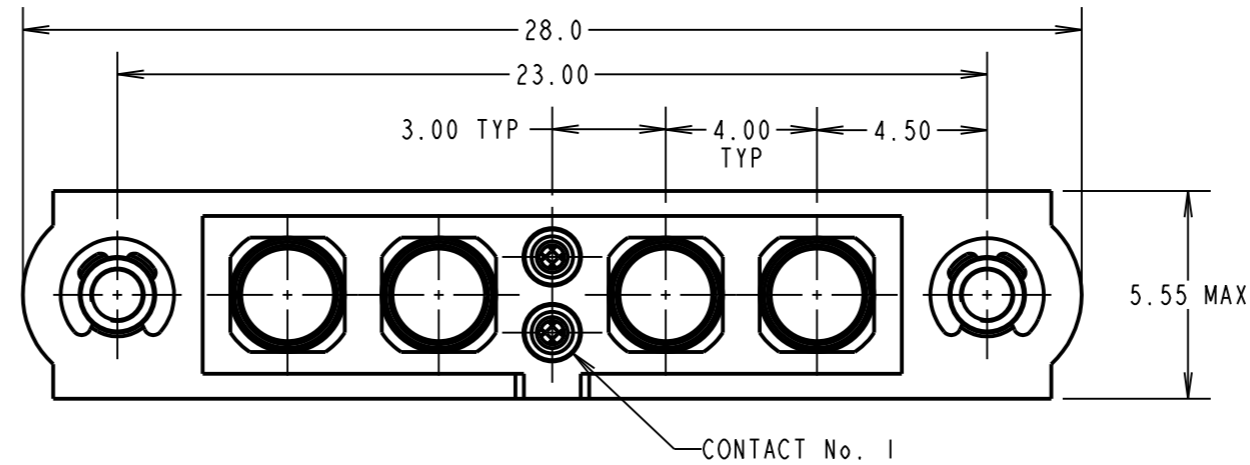
**POWER CONTACT:**  
 CONTACT RESISTANCE = 6mΩ MAX  
 CURRENT RATING = 20A MAX

**MECHANICAL:**  
 DURABILITY = 500 OPERATIONS  
**SIGNAL CONTACT:**  
 INSERTION FORCE = 2.0N MAX  
 WITHDRAWAL FORCE = 0.2N MIN

**POWER CONTACT:**  
 INSERTION FORCE = 8N MAX  
 WITHDRAWAL FORCE = 0.5N MIN

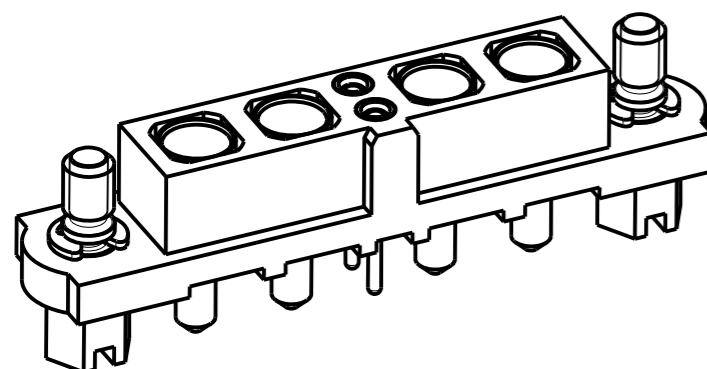
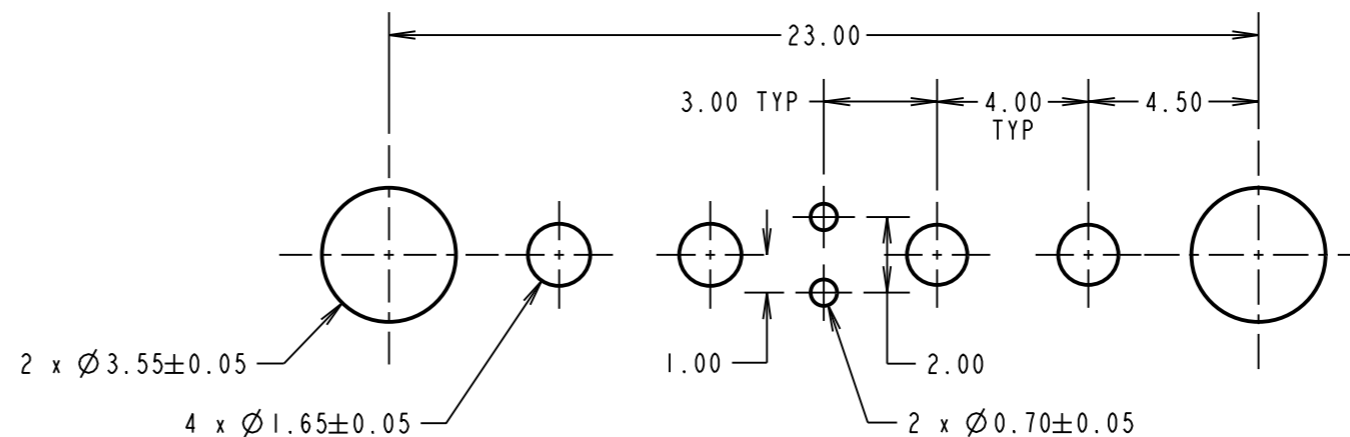
**ENVIRONMENTAL:**  
 TEMPERATURE RANGE = -55°C TO +125°C

**PACKING:**  
 TUBE  
 FOR COMPLETE SPECIFICATION SEE COMPONENT  
 SPECIFICATION C005XX (LATEST ISSUE)



SECTION X-X

## RECOMMENDED PCB LAYOUT



MSP	2	13.06.17	13269
NAME	ISS.	DATE	C/NOTE
APPROVED: M. PERREN			
CHECKED: M. PLESTED			
DRAWN: M. G. PLESTED			
CUSTOMER REF.:			
ASSEMBLY DRG:			

# HARWIN

www.harwin.com  
 technical@harwin.com

THIS DRAWING AND ANY INFORMATION OR DESCRIPTIVE MATTER SET OUT HEREON ARE CONFIDENTIAL AND COPYRIGHT PROPERTY OF THE HARWIN GROUP AND MUST NOT BE DISCLOSED, LOANED, COPIED OR USED FOR MANUFACTURING, TENDERING OR FOR ANY OTHER PURPOSE WITHOUT THEIR WRITTEN PERMISSION.

### TOLERANCES

X. = ±1mm  
 X.X = ±0.25mm  
 X.XX = ±0.10mm  
 X.XXX = ±0.01mm  
 ANGLES = ±5°  
 UNLESS STATED

### MATERIAL:

SEE ABOVE

### FINISH:

SEE ABOVE

### S/AREA:

mm<sup>2</sup>

TITLE: JACKSCREW DATAMATE  
 MIXED TECHNOLOGY VERTICAL  
 PC TAIL FEMALE ASSEMBLY

### DRAWING NUMBER:

M80-4T1020IF1-02-321-02-321

SHT  
 2 OF 2